

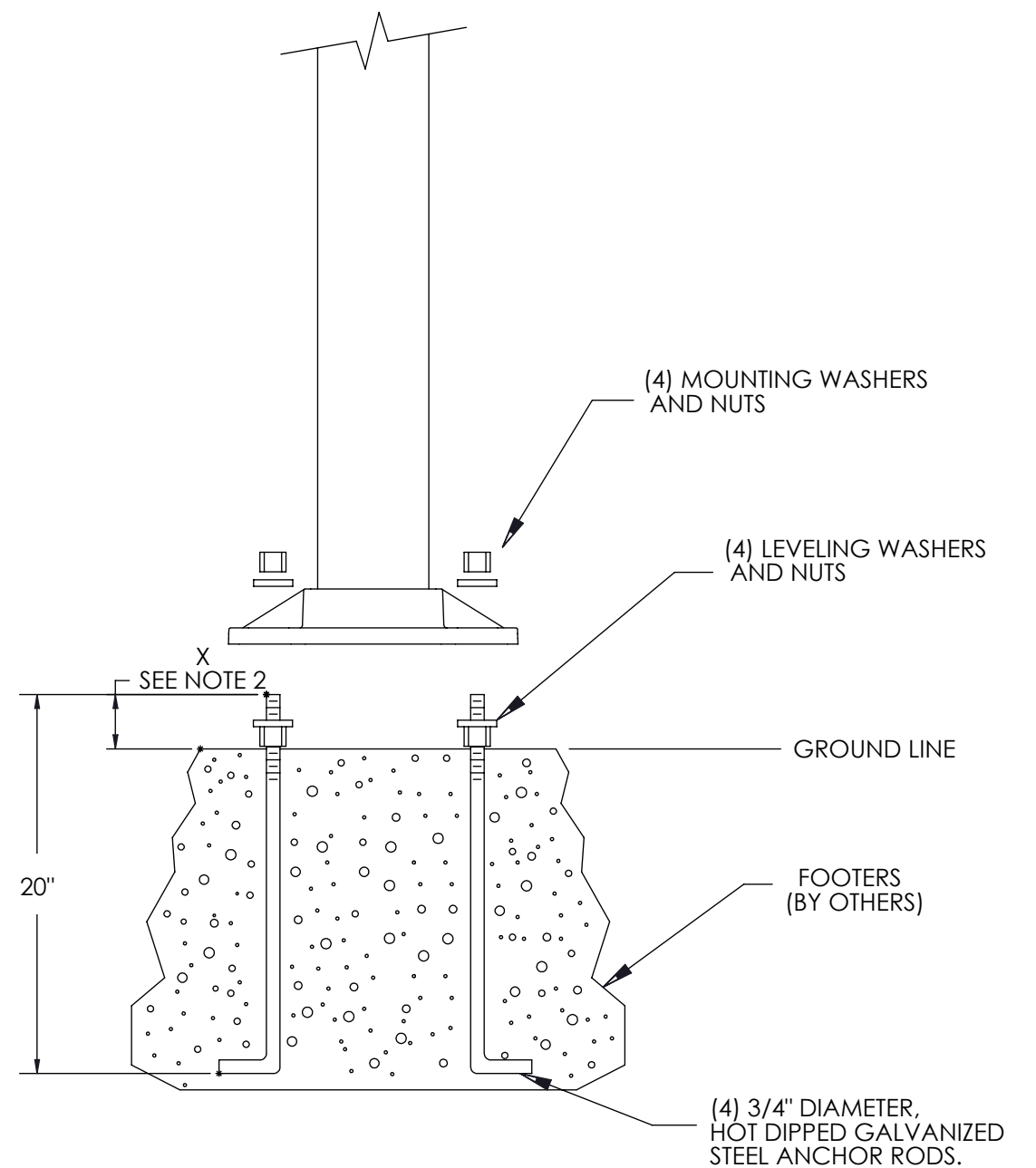
NOTES:  
1. SUGGESTED BOLT CIRCLE: 9" DIAMETER.

2. HADCO RECOMMENDS USING LEVELING NUTS TO MOUNT THE POST BASE.

IF FOUNDATION IS NOT LEVEL, INCREASE "X" DIMENSION ACCORDINGLY WHEN USING LEVELING NUTS WITH WASHERS.

X = 2 3/4" WITH LEVELING NUTS.  
X = 1 3/4" WITHOUT LEVELING NUTS.

3. IF USING GROUTING TO CONCEAL GAP BETWEEN BASE AND FOUNDATION, ALLOW FOR WATER DRAINAGE.



<b>HADCO</b> by @ignify	CONFIDENTIAL: This drawing is confidential and proprietary to Signify Holdings and may not be reproduced in whole or in part without the express written consent of Signify Holdings. © 2018 Signify Holdings. All rights reserved.		TITLE: TEMP,P9400/P9500	
	DRAWN BY: K. A. RENNERT CHECKED BY: B. DORON APPR BY: E. HADDAD	DATE: 3/16/04 DATE: 8/4/09 DATE: 3/16/04	DRW SIZE: C	MATERIAL: 17 X 22 WHITE BOND PAPER,
*UNLESS OTHERWISE SPECIFIED: *ALL DIMENSIONS ARE IN INCHES. *ALL THREADS ARE UNC-2B OR UNF-2B AFTER COATING. *ALL THREADS ARE TO BE VERIFIED WITH A THREAD GAGE.	EF-04-01-11 Rev.09	SCALE 1:1	SHEET 1 OF 1	PART NO: T01000584

\* DO NOT SCALE THIS DRAWING \*