

# INSTALLATION INSTRUCTIONS

# NIGHTHAWK III

with HARD MOUNTED ELECTRICAL COMPONENTS

IMI-320

**IMPORTANT: READ CAREFULLY BEFORE INSTALLING FIXTURE. RETAIN FOR FUTURE REFERENCE.**

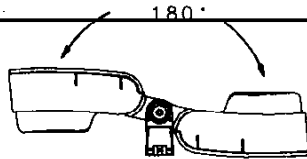
**GENERAL:** UPON RECEIPT OF FIXTURE THOROUGHLY INSPECT FOR ANY FREIGHT DAMAGE WHICH SHOULD BE BROUGHT TO THE ATTENTION OF THE DELIVERING CARRIER. COMPARE THE CATALOG DESCRIPTION LISTED ON THE PACKING SLIP WITH THE FIXTURE LABEL ON THE HOUSING TO ASSURE YOU HAVE RECEIVED THE CORRECT MERCHANDISE.

**SAFETY:** THE FIXTURE MUST BE WIRED IN ACCORDANCE WITH THE NATIONAL ELECTRICAL CODE AND BE APPLICABLE LOCAL CODES AND ORDINANCES. PROPER GROUNDING IS REQUIRED TO INSURE PERSONAL SAFETY. CAREFULLY OBSERVE GROUNDING PROCEDURE UNDER INSTALLATION SECTION. ALL WORK SHOULD BE DONE BY A QUALIFIED ELECTRICIAN.

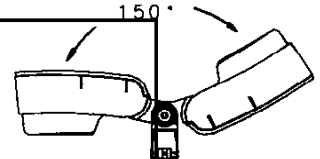
**WARNING:** Make certain power is OFF before starting installation or attempting any maintenance.

**GENERAL:** This unit may be aimed from lens straight up to lens straight down

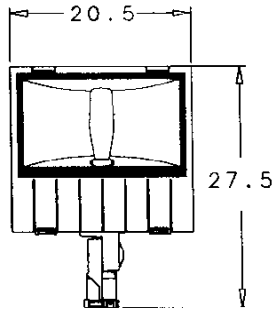
**NOTE**



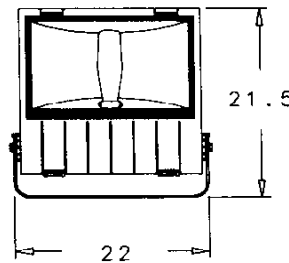
**EXCEPTION:** 1000W HPS fixtures cannot be aimed less than 30° from horizontal.



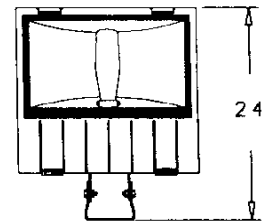
1000 w MH



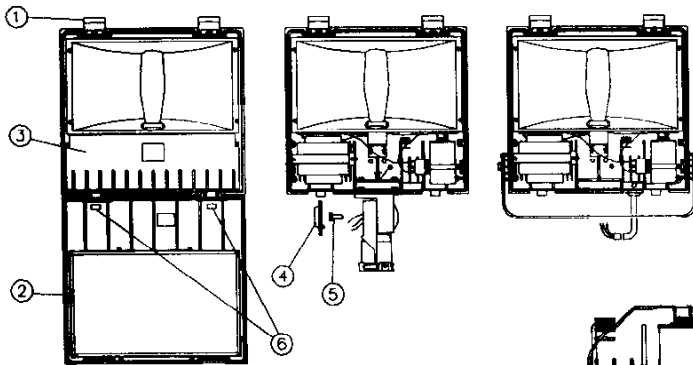
**SLIPFITTER MOUNTED**



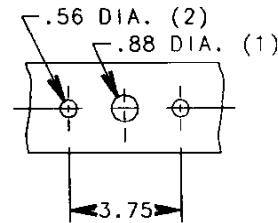
**YOKE MOUNTED**



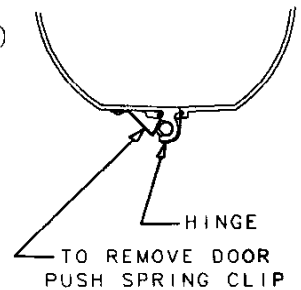
**TRUNNION MOUNTED**



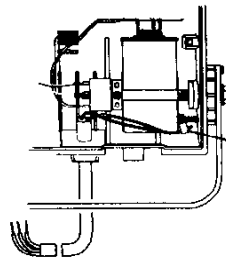
1. LATCH
2. DOOR
3. BALLAST COMPARTMENT COVER
4. WIRING COMPARTMENT COVER
5. FITTER BOLT
6. DRAIN HOLE BUG FILTER



**YOKE & TRUNNION MOUNTING HOLES**



HINGE  
TO REMOVE DOOR  
PUSH SPRING CLIP



TIE OFF LINE LEADS WHEN  
CABLE IS USED

**COOPER**

Cooper Lighting HID

Vicksburg, Ms.

THESE INSTRUCTIONS DO NOT CLAIM TO COVER ALL DETAILS OR VARIATIONS IN THE EQUIPMENT, PROCEDURE, OR PROCESS DESCRIBED, NOR TO PROVIDE DIRECTIONS FOR MEETING EVERY POSSIBLE CONTINGENCY DURING INSTALLATION, OPERATION OR MAINTANCE. WHEN ADDITIONAL INFORMATION IS DESIRED TO SATISFY A PROBLEM NOT COVERED SUFFICIENTLY FOR USER'S PURPOSE, PLEASE CONTACT YOUR NEAREST REPRESENTATIVE.

**BEFORE ENERGIZING REMOVE PACK FROM INSIDE UNITS WITH TRAY MOUNTED COMPONENTS.**

BEFORE INSTALLATION MAKE CERTAIN POWER SUPPLY AND BALLAST VOLTAGES ARE COMPATIBLE. DUAL VOLTAGE AND MULTI-TAP BALLASTS ARE FACTORY WIRED FOR 277 VOLTS INPUT. TO CHANGE FOR USE WITH OTHER LINE VOLTAGES, REMOVE BALLAST COVER AND MOVE BALLAST SUPPLY WIRE FROM 277V TERMINAL AND INSERT ON TERMINAL OF DESIRED OPERATING VOLTAGE.

**SLIPFITTER MOUNTED FLOODLIGHT**

THE INTEGRAL SLIPFITTER CAN BE MOUNTED ON 2" OR 2 1/2" (2 3/8" TO 2 7/8" O.D.) PIPE. SETSCREWS ARE PROVIDED TO CLAMP IT SECURELY TO THE PIPE.

POWER SUPPLY LEADS AND THE GROUND LEAD ARE PROVIDED TO EXTEND INTO THE BOTTOM HALF OF THE SLIPFITTER. REMOVE THE COVER PLATE FROM FITTER AND BRING LEADS INTO COMPARTMENT. ASSEMBLE TWO HALVES. BE SURE THE PIVOT RETAINER BOLT IS TIGHTENED SECURELY AFTER AIMING IS ACCOMPLISHED. BOTTOM HALF OF FITTER IS PROVIDED WITH SUPPORT FOR WIRES COMING UP POLE.

**YOKE & TRUNNION MOUNTED FLOODLIGHT**

THE UNIT IS PROVIDED WITH A YOKE OR TRUNNION WHICH CAN BE MOUNTED DIRECTLY ON A FLAT SURFACE. ADAPTORS ARE AVAILABLE FOR INSTALLATION ON BUILDING FRONTS, POLES, CROSSARMS, PIPES, ETC.

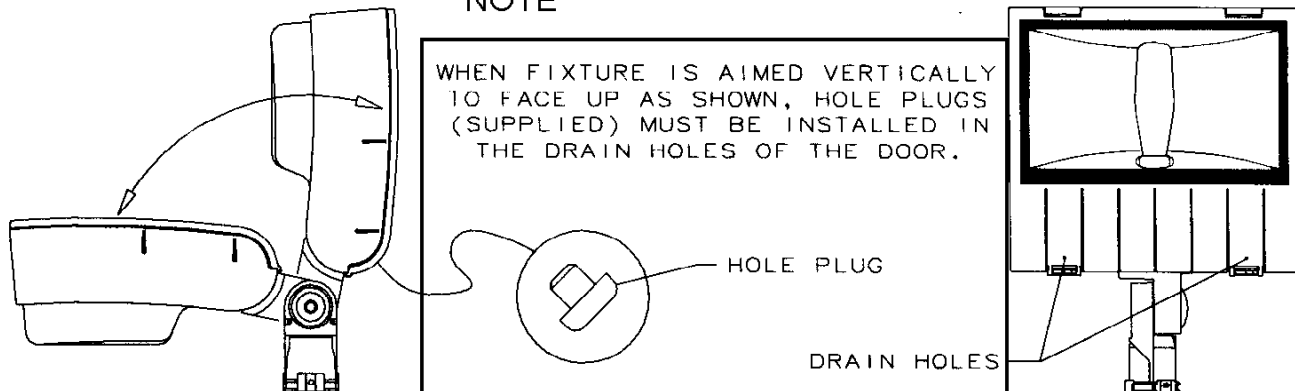
14-3 SO CABLE IS RECOMMENDED FOR MAKING ELECTRICAL CONNECTIONS TO THE UNIT. THE FIXTURE IS PROVIDED WITH A GROMMET AND A STRAIN RELIEF. (NOTE THAT THE GROMMET FITS CABLE OF APPROXIMATELY 9/16" DIAMETER) THESE FORM BOTH A STRAIN RELIEF AND WEATHER PROOF SEAL. TO MAINTAIN THIS SEAL, SCREWS IN THE STRAIN RELIEF MUST BE RETIGHTENED WHENEVER THE SEAL IS DISTURBED.

**RECOMMENDED FASTENER TIGHTENING TORQUES**

FASTENER APPLICATION	QUANTITY	SIZE	TORQUE RANGE INCH-POUNDS
FITTER BOLT	1	1/2-13	300-500
FITTER SET SCREWS	3	3/8-16	100-150
JAM NUTS	3	3/8-16	100-200
YOKE BOLTS	2	1/2-13	250-350
YOKE SET SCREW	2	10-24	30-40
TRUNNION BOLTS	2	3/8-16	120-140

**NOTE**

WHEN FIXTURE IS AIMED VERTICALLY TO FACE UP AS SHOWN, HOLE PLUGS (SUPPLIED) MUST BE INSTALLED IN THE DRAIN HOLES OF THE DOOR.



THE REFLECTOR AND DOOR GLASS MAY BE CLEANED WITH ANY SUITABLE NON-ABRASIVE GLASS CLEANING SOLUTION, SOAP, OR DETERGENT, AND RINSED WITH CLEAN WATER.

**CAUTION: DO NOT PERFORM MAINTENANCE OR CLEANING WHILE FIXTURE IS ENERGIZED**

**TROUBLE SHOOTING**

IN THE EVENT THAT YOUR FIXTURE FAILS TO OPERATE PROPERLY FIRST CHECK:

1. THE PROPER LAMP IS INSTALLED.
2. THE LAMP IS NOT FAULTY.
3. THE LINE VOLTAGE "AT THE FIXTURE" IS PROPER.
4. THE FIXTURE IS WIRED PROPERLY.
5. THE FIXTURE IS GROUNDED PROPERLY.

IF ALL OF THE ABOVE HAVE BEEN CHECKED AND YOUR FIXTURE STILL DOES NOT OPERATE PROPERLY, CONTACT YOUR LOCAL LUMARK DISTRIBUTOR OR REPRESENTATIVE.