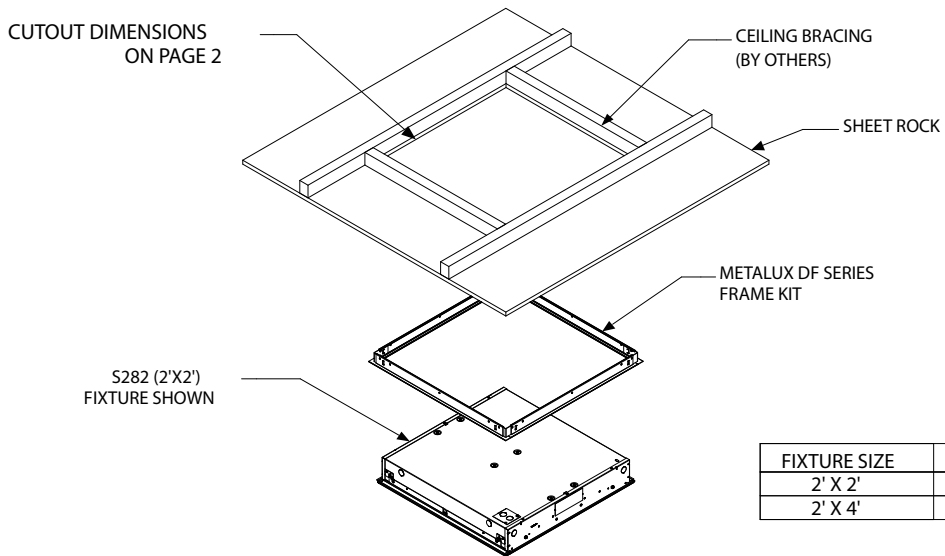


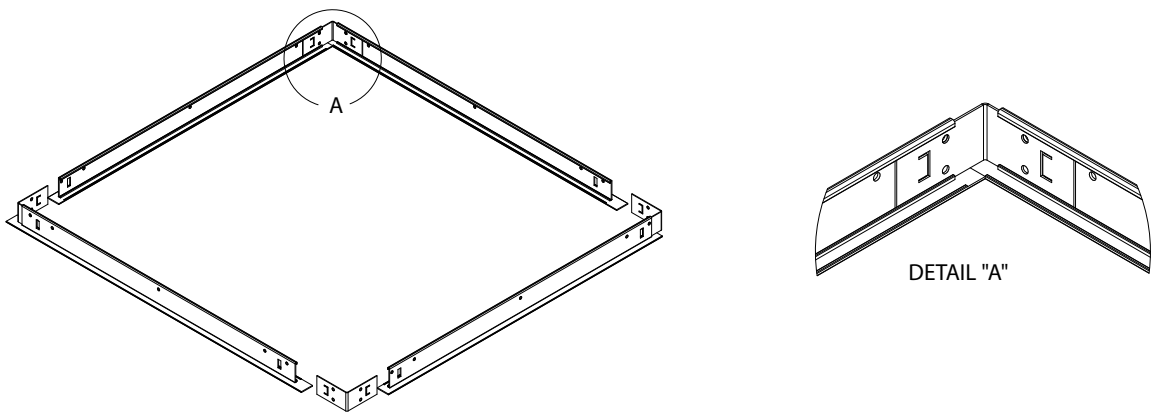
# INSTALLATION INSTRUCTIONS FOR LUMINOUS HE FIXTURE IN SHEET ROCK CEILING. 1, 2 & 3 LAMP T5/T5HO & T8 282(2'X2');284(2'X4') HOUSING SIZE

**Warning** : Before starting any work ensure that all sources of power are turned off. All work must meet local/national codes and be performed by a certified electrician. Do not mount fixture vertically.

## EXPLODED VIEW AND PART CALL OUT



## ASSEMBLING THE METALUX DF SERIES FRAME KIT

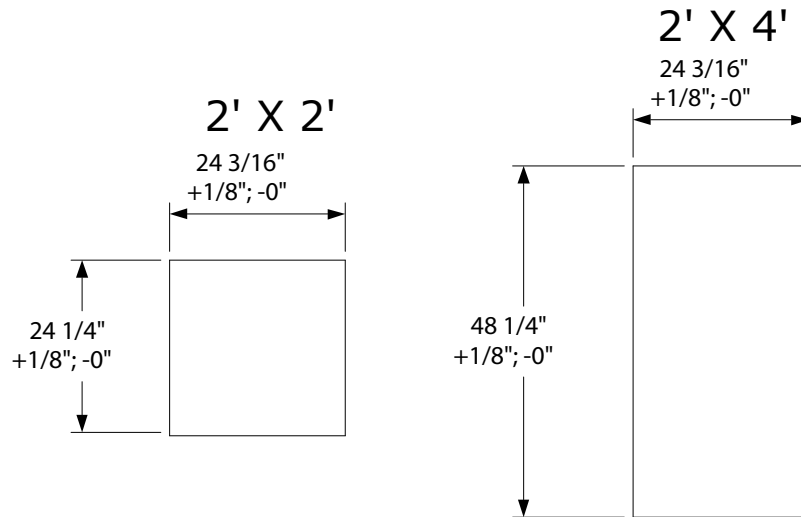


1. TO ASSEMBLE METALUX DF SERIES FRAME KIT, FIRMLY INSERT CORNER BRACKET INTO ONE SIDE OF LONG SECTION. ENSURE CORNER BRACKET IS FACING THE INSIDE TO THE EXTRUSION SECTION AS SHOWN IN DETAIL "A". CORNER BRACKET WILL LOCK INTO PLACE WHEN FULLY POSITIONED.
2. FIRMLY INSERT SHORT SECTION TO OTHER SIDE OF CORNER BRACKET. REPEAT UNTIL CEILING BRACKET IS FULLY ASSEMBLED

# INSTALLATION INSTRUCTIONS FOR LUMINOUS HE FIXTURE IN SHEET ROCK CEILING. 1, 2 & 3 LAMP T5/T5HO & T8 282(2'X2');284(2'X4') HOUSING SIZE

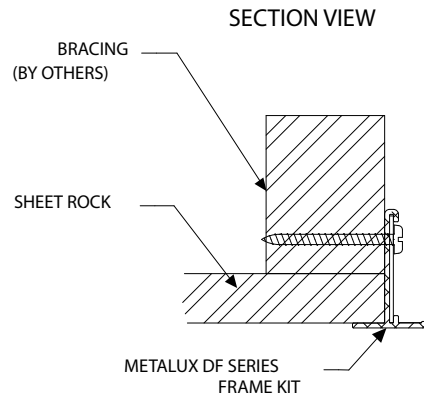
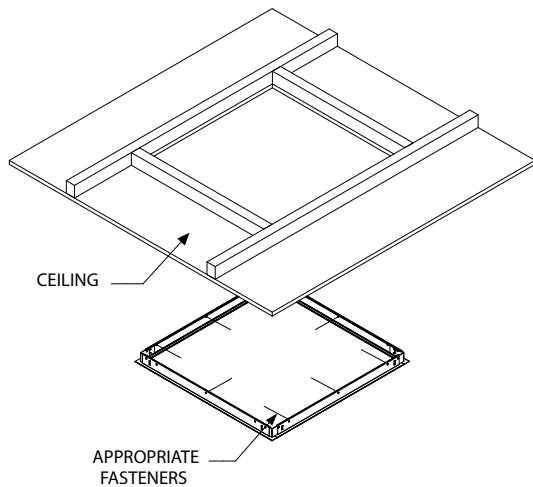
**Warning** : Before starting any work ensure that all sources of power are turned off. All work must meet local/national codes and be performed by a certified electrician. Do not mount fixture vertically.

## HOLE CUTOUT DIMENSIONS



CUTOUT DIMENSIONS ARE EXACT. IN ORDER TO MAINTAIN THE PRECISION FIT OF THE METALUX DF SERIES FRAME KIT, BRACING IN CEILING MUST PRECISELY MATCH ABOVE DIMENSIONS. SHIMS MAY BE USED TO MAINTAIN TOLERANCES.

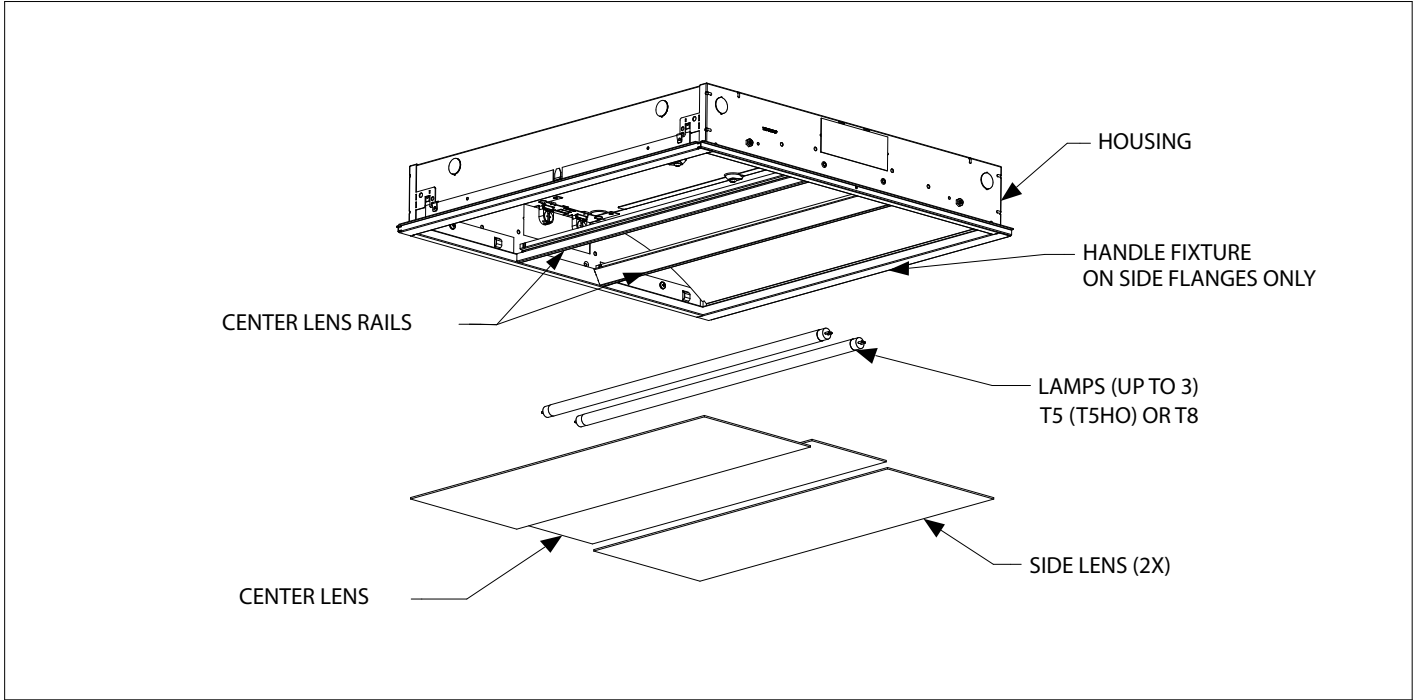
## SECURING METALUX DF SERIES FRAME KIT TO STRUCTURE



3. AFTER APPROPRIATE CUTOUT IS MADE IN SHEET ROCK, INSERT METALUX DF SERIES FRAME KIT INTO CUTOUT AND SECURE BRACKET TO BRACING USING APPROPRIATE FASTENERS (BY OTHERS). USE SHIMS TO PREVENT THE BRACKET JOINTS FROM OPENING.

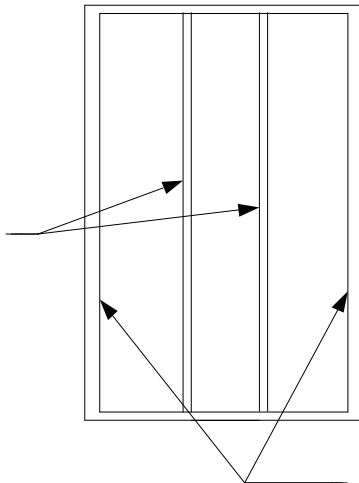
# INSTALLATION INSTRUCTIONS FOR LUMINOUS HE FIXTURE IN SHEET ROCK CEILING. 1, 2 & 3 LAMP T5/T5HO & T8 282(2'X2');284(2'X4') HOUSING SIZE

**Warning** : Before starting any work ensure that all sources of power are turned off. All work must meet local/national codes and be performed by a certified electrician. Do not mount fixture vertically.



## INSTALLATION WARNING NOTICE:

DO NOT LIFT FIXTURE  
BY CENTER RAILS.

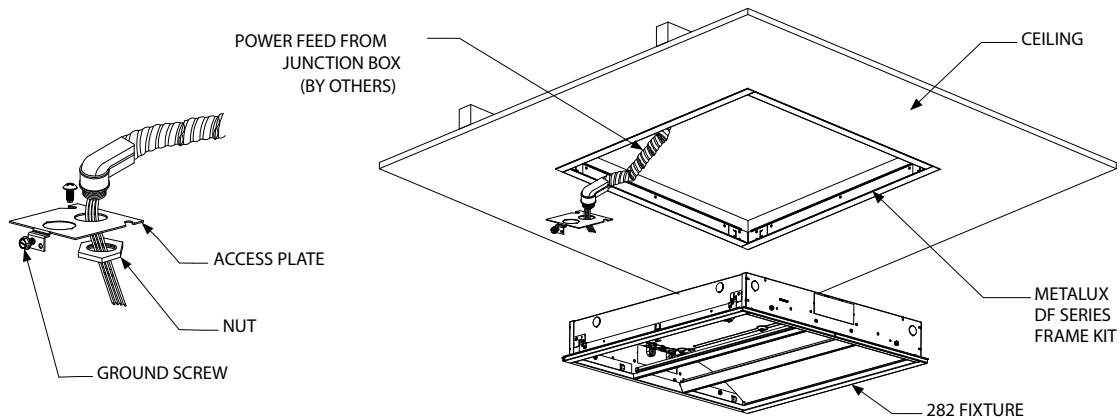


LIFT FIXTURE  
BY SIDE EDGES ONLY!

# INSTALLATION INSTRUCTIONS FOR LUMINOUS HE FIXTURE IN SHEET ROCK CEILING. 1, 2 & 3 LAMP T5/T5HO & T8 282(2'X2');284(2'X4') HOUSING SIZE

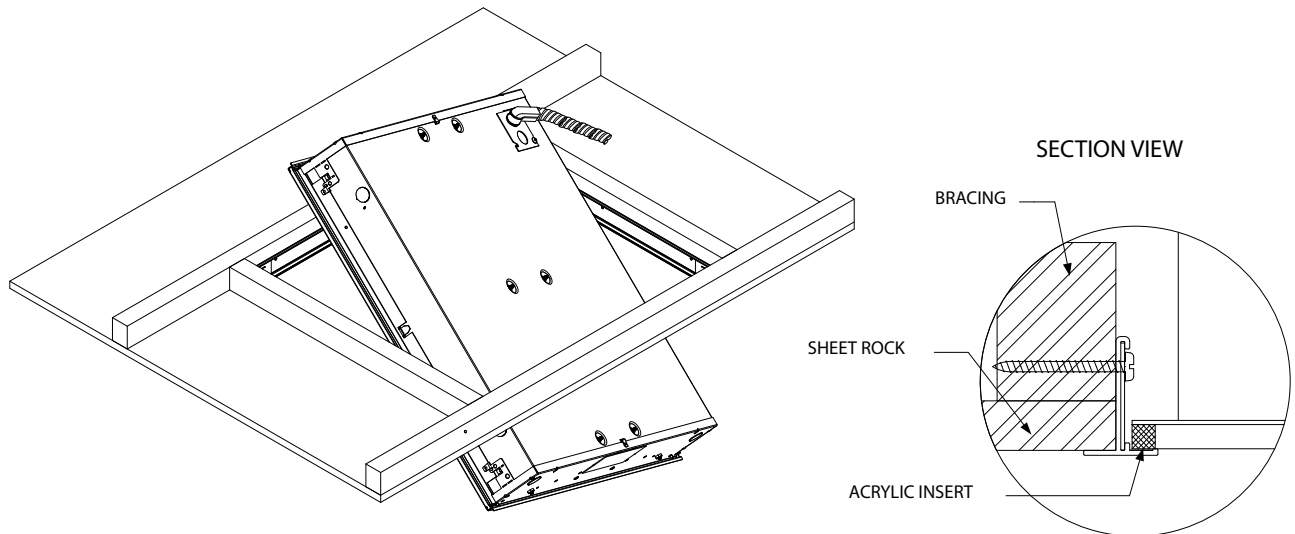
**Warning** : Before starting any work ensure that all sources of power are turned off. All work must meet local/national codes and be performed by a certified electrician. Do not mount fixture vertically.

## WIRING THE FIXTURE



4. UNLESS TOP ACCESS IS AVAILABLE, FIXTURE MUST BE WIRED PRIOR TO INSTALLING INTO METALUX DF SERIES FRAME KIT.
5. REMOVE ACCESS PLATE FROM FIXTURE AND ATTACH POWER FEED (SUPPLIED BY OTHERS) TO ACCESS PLATE.
6. LOOSEN GROUND SCREW AND SECURE GROUND WIRE TO ACCESS PLATE. ATTACH APPROPRIATE WIRES ENSURING ALL CONNECTIONS ARE PROPERLY MATCHED.
7. SECURE ACCESS PLATE TO FIXTURE.

## INSTALLING THE PRE-WIRED FIXTURE

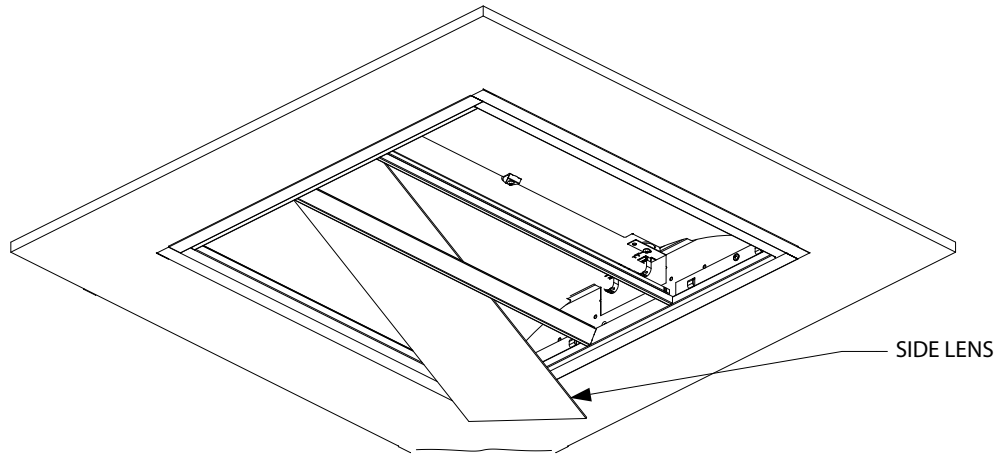


7. AFTER WIRING FIXTURE AND CHECKING CONNECTIONS, CAREFULLY ROTATE FIXTURE AND LIFT IT INTO METALUX DF SERIES FRAME KIT. PRE-INSTALLED ACRYLIC INSERT WILL REST ON EDGE OF METALUX DF SERIES FRAME KIT.

# INSTALLATION INSTRUCTIONS FOR LUMINOUS HE FIXTURE IN SHEET ROCK CEILING. 1, 2 & 3 LAMP T5/T5HO & T8 282(2'X2');284(2'X4') HOUSING SIZE

**Warning** : Before starting any work ensure that all sources of power are turned off. All work must meet local/national codes and be performed by a certified electrician. Do not mount fixture vertically.

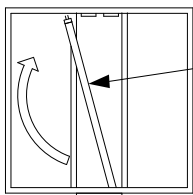
## INSTALLING SIDE LENSES



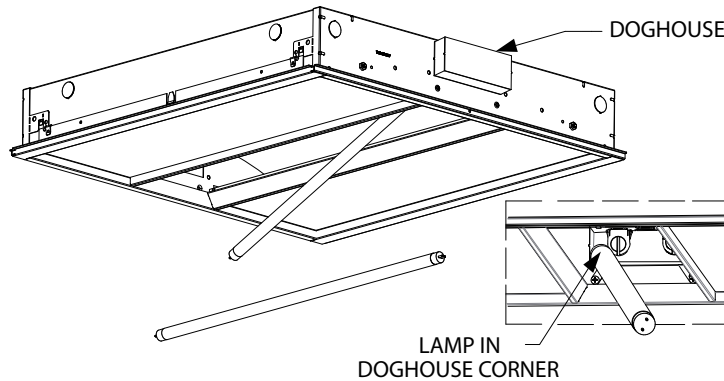
8. CAREFULLY FLEX SIDE LENS INTO SIDE APERTURE WITH SHINY SIDE FACING LAMPS. BE CAREFUL NOT TO SCRATCH THE LENS FRAME.
- SNAP SIDE LENS INTO PLACE, UNTIL THE LENS LAYS FLUSH TO FRAME.
9. REPEAT THIS OPERATION WITH SECOND SIDE LENS.

## INSTALLING T8 LAMPS INTO FIXTURE

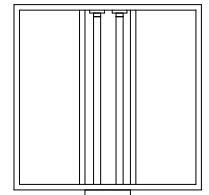
SWING LAMP INTO OTHER SOCKET AND TWIST TO ENGAGE.



DOGHOUSE



T8 LAMPS  
INSTALLED  
VIEW

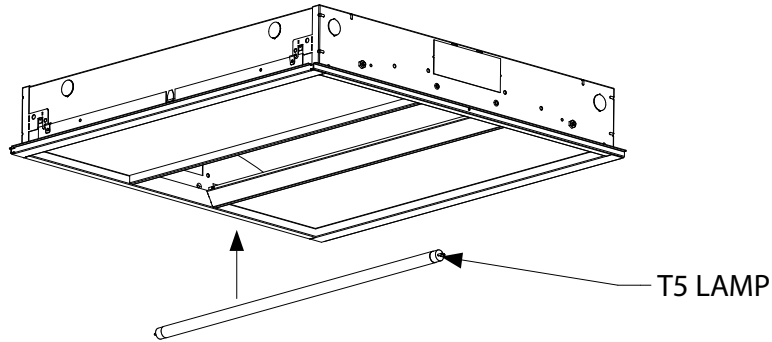
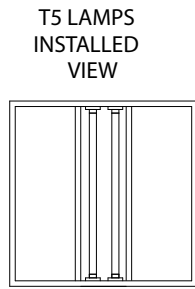


- 1) BEGIN WITH LAMP CLOSEST TO SIDE LENS
- 2) INSERT LAMP INTO DOGHOUSE CORNER AND INSERT INTO SOCKET
- 3) SWING LAMP INTO THE OPPOSITE SIDE SOCKET AND TWIST TO ENGAGE.
- 4) REPEAT STEPS 2-3 WITH SECOND AND THIRD LAMP (IF NEEDED).

# INSTALLATION INSTRUCTIONS FOR LUMINOUS HE FIXTURE IN SHEET ROCK CEILING. 1, 2 & 3 LAMP T5/T5HO & T8 282(2'X2');284(2'X4') HOUSING SIZE

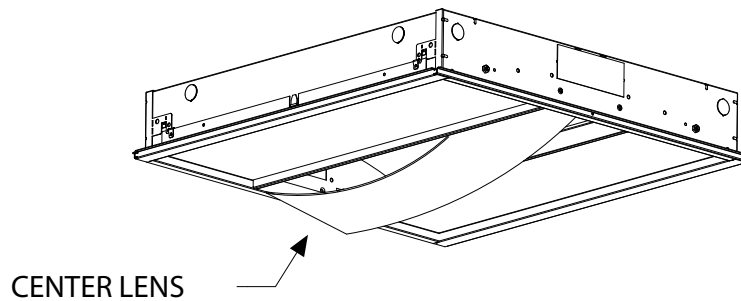
**Warning** : Before starting any work ensure that all sources of power are turned off. All work must meet local/national codes and be performed by a certified electrician. Do not mount fixture vertically.

## INSTALLING T5 LAMPS INTO FIXTURE



- 1) SLIDE LAMP CONTACT INTO SOCKETS AT BOTH ENDS OF FIXTURE AND ROTATE LAMP TO SECURE IN SOCKET.
- 2) REPEAT STEP 1 WITH SECOND AND THIRD LAMP (IF NEEDED).

## INSTALLING CENTER LENS INTO FIXTURE



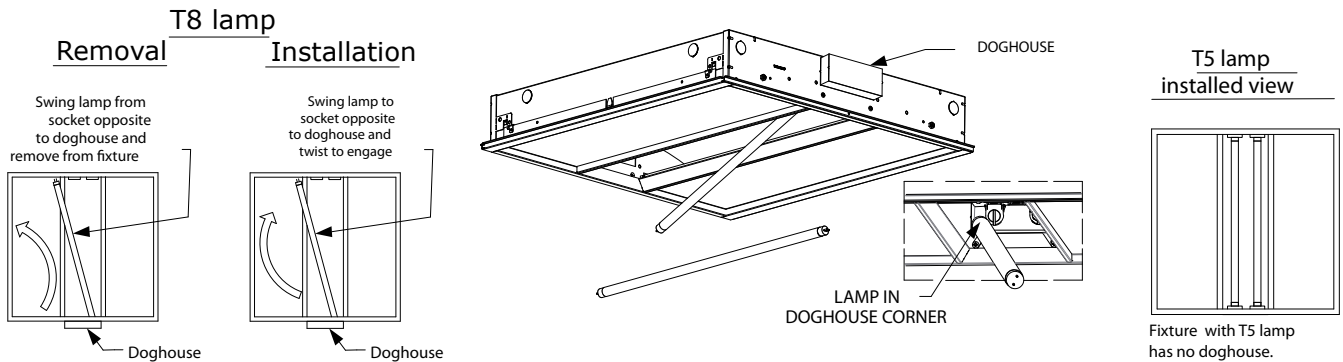
8. REMOVE PROTECTIVE FILM ON BOTH SIDES OF THE CENTER LENS
9. CAREFULLY FLEX AND ANGLE CENTER LENS INTO CENTER APERTURE WITH SHINY SIDE FACING DOWN.  
BE CAREFUL NOT TO SCRATCH THE LENS FRAME. PLACE CENTER LENS ON THE CENTER RAILS SO THAT LENS IS FLUSH TO THE LENS FRAME.

\* 95HT DOES NOT HAVE A PROTECTIVE FILM; 95R AND 95RE HAS A CLEAR PROTECTIVE FILM ON ONE SIDE AND A PINK PROTECTIVE FILM ON THE OTHER SIDE; 95N HAS A BLUE PROTECTIVE FILM ON ONE SIDE AND A PINK PROTECTIVE FILM ON THE OTHER SIDE.

# MAINTENANCE INSTRUCTIONS FOR LUMINOUS HE FIXTURE IN SHEET ROCK CEILING. 1, 2 & 3 LAMP T5/T5HO & T8 282(2'X2');284(2'X4') HOUSING SIZE

**Warning** : Before starting any work ensure that all sources of power are turned off. All work must meet local/national codes and be performed by a certified electrician. Do not mount fixture vertically.

## Easy Re-Lamping of Luminous HE 282 and 284 fixture



1) Push center lens up and slide it over to the left or right side of the fixture. Place center lens on the side lens while re-lamping the fixture.

FOR T8 RE-LAMPING:

2a) Begin with lamp closet to side lens. Pull T8 lamp from socket, swing T8 lamp to corner of doghouse and remove lamp from fixture. Repeat steps with second and third lamps (if needed).

3a) To install T8 lamps begin with lamp closet to side lens. Insert lamp into doghouse corner and insert into socket. (if needed).

Swing T8 lamp into opposite side socket and twist to engage. Repeat this operation with second and third lamps

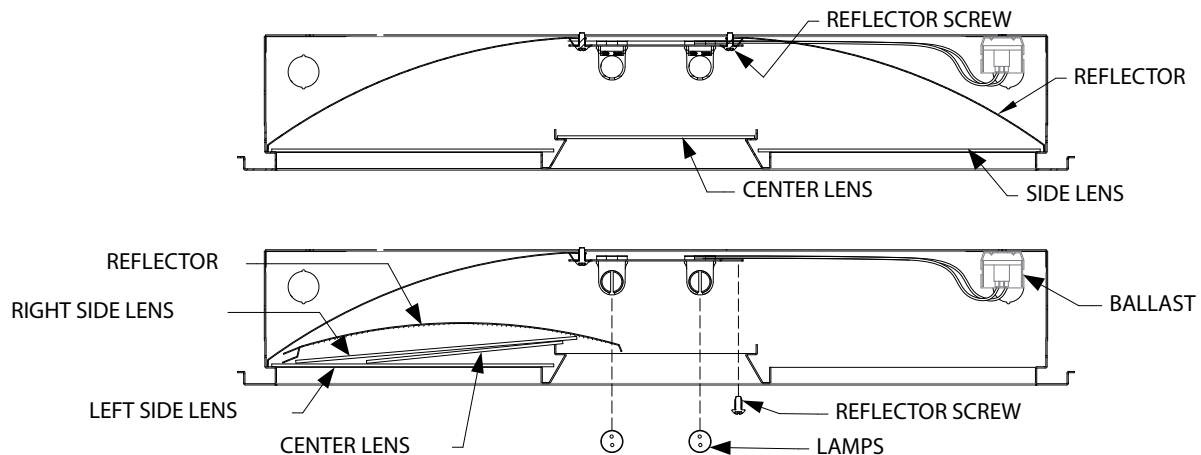
FOR T5 RE-LAMPING:

2b) Begin with lamp closet to side lens. Rotate T5 lamp to unsecure from sockets and remove from fixture.

3b) Slide lamp T5 contact into sockets at both ends of fixture and rotate lamp to secure in sockets.

4) Reinstall center lens with shiny side down and lay on the center rails so that it is flush to the lens frame.

## Easy Ballast Maintenance of Luminous HE 282 and 284 fixture



- 1) Move side and center Lens to opposite side; remove Lamps
- 2) Remove reflector by unscrewing the center screw
- 3) Place reflector on to the opposite side for access to the ballast
- 4) Replace ballast

- 4) Screw reflector back into place
- 5) Snap side lens into place, until lens lays flush to frame
- 6) Locate Center Lens in Frame.

\*Repeat steps for adjacent side ballast if required