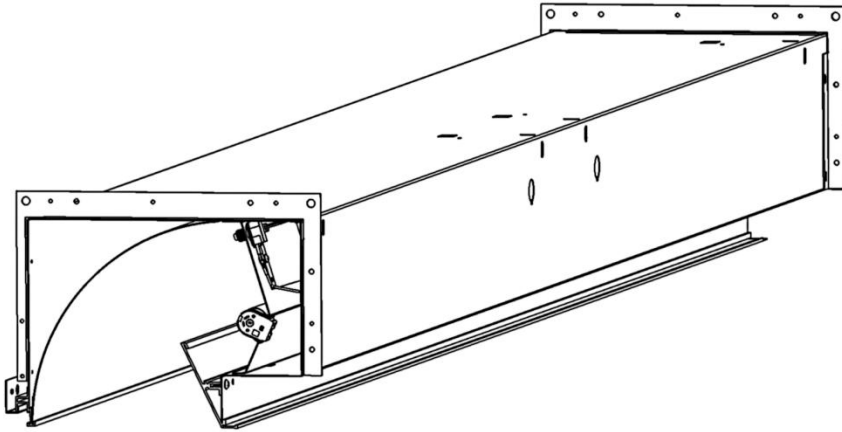


SERIES S79PF INSTALLATION INSTRUCTIONS



PLEASE MAKE SURE YOU HAVE THE FOLLOWING BEFORE INSTALLATION

- Free access to the space where the fixture is to be mounted.
(NOTE: FIXTURE MUST BE INSTALLED BEFORE CEILING.)
- Extruded ceiling rail, wall rail, & roll of Pentaflex.
- Box of hardware
- Tie wires (not provided by Neo-Ray)
- Screwdriver & screws suitable for securing wall rail.
(Dependent on wall material, not provided by Neo-Ray)

OVERVIEW

STEP 1: Cut & mount the wall rail(s) & extrusions.

STEP 2: Mount end closures/plates & support straps to Beginning Of Run (BOR) fixture.

STEP 3: Hang corners & Beginning Of Run fixture from wall rail. Attach tie wires.

STEP 4: Attach each Intermediate (INT) fixture to the run.

STEP 5: Attach End Of Run (EOR) fixture to run.

STEP 6: Cut & attach ceiling rail.

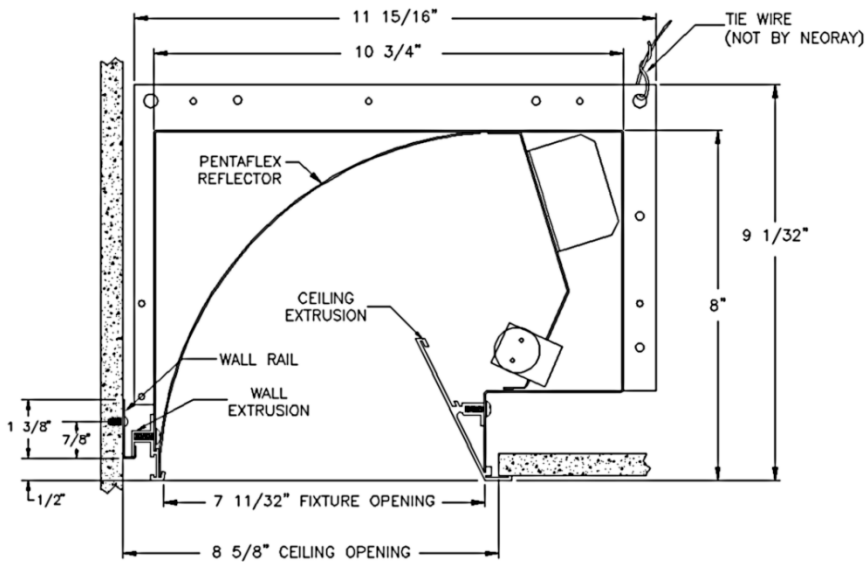
STEP 7: Cut Pentaflex reflector material to appropriate length.

STEP 8: Install Pentaflex.

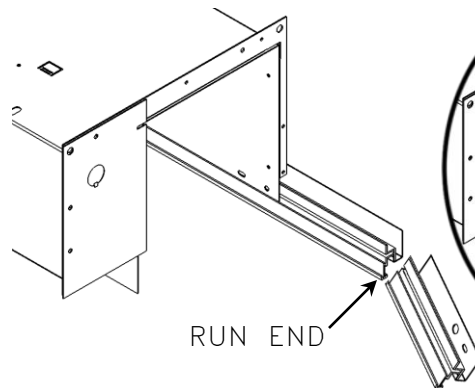
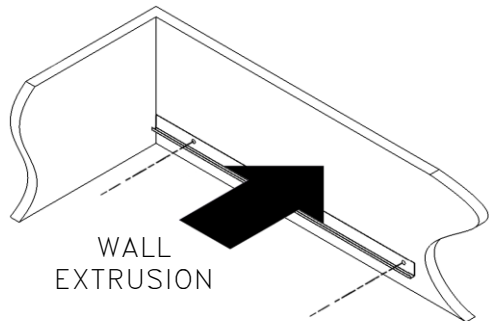
STEP 9: Trim fixture(s) with ceiling.

STEP 1

Cut & mount the wall rail(s) & extrusions.

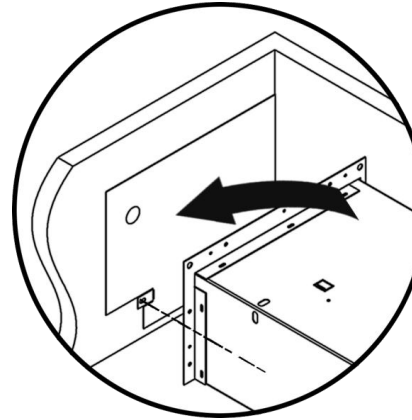


Cut the wall extrusions to fit the total run length. Using screws, mount each to the wall as shown, making sure each is flat and level for best appearance. Cut the fixture's wall rail to fit the total run length, so it is centered in the desired space.

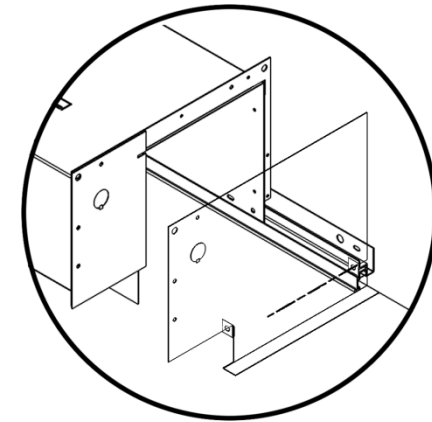


STEP 2

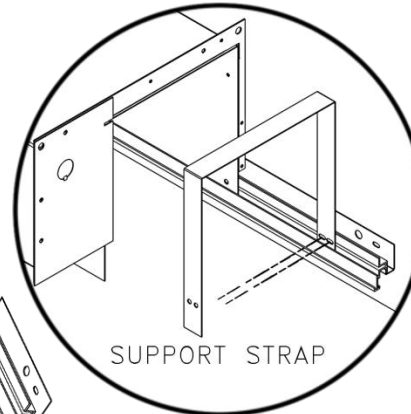
Mount end closures/plates & support straps to Beginning Of Run (BOR) fixture.



If the end of the BOR abuts a wall, attach the supplied end closure to the wall in-line with the fixture, as shown.



If the BOR does not abut a wall, attach an end plate to its flange as shown. (If the end of the run is flush with the housing, remove the attached wireway closure & attach the end plate directly to the flange.)



If the wall rail extends more than three inches past the end of the housing, install a support strap as shown.

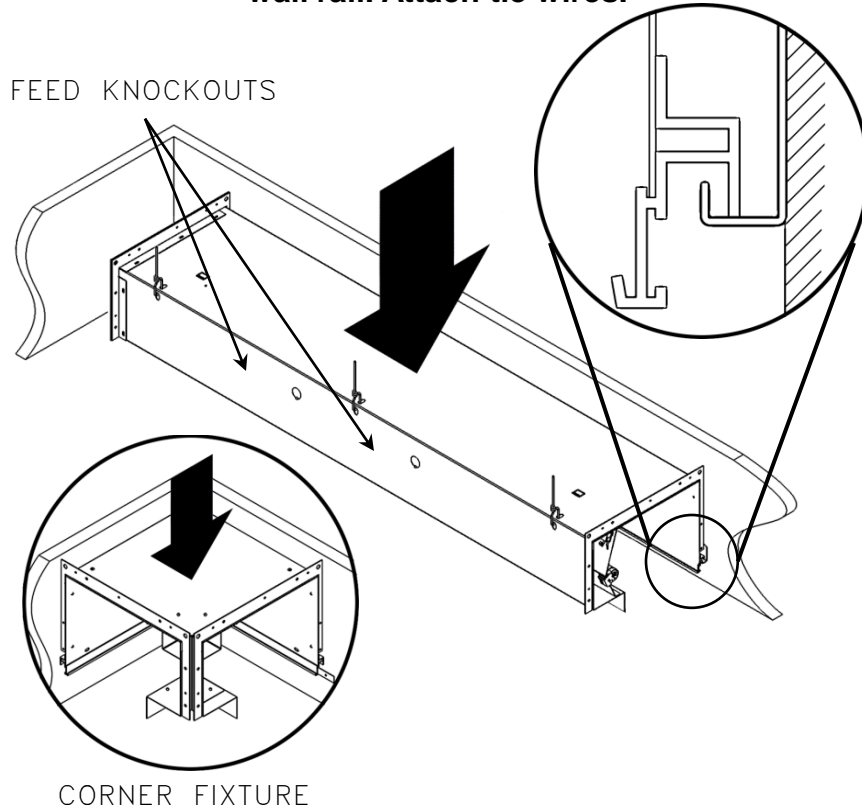
neoray

100 Andrews Rd., Hicksville, NY 11801

TEL: 516-470-1000

STEP 3

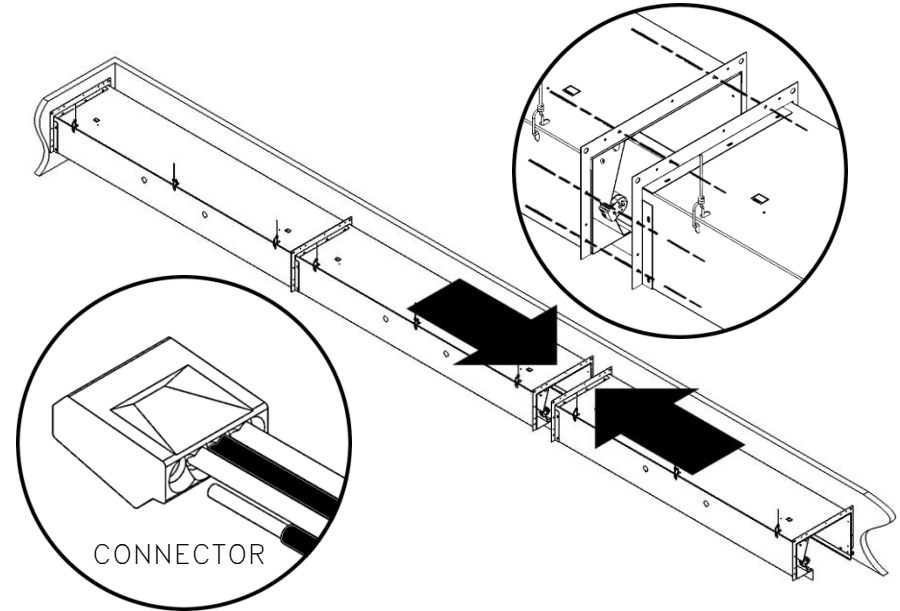
Hang corners & Beginning Of Run fixture from wall rail. Attach tie wires.



Determine proper placement of fixtures using submittal drawing. (Lighting should be centered along wall.) Check that the wall rail channel is clear of debris. If there is a corner fixture to the left of the BOR, mount it first. Attach & configure all necessary wiring, including feeds, as needed. Hang the fixture over the wall rail channel and attach supporting tie wires to the holes in the rear of the fixture, as shown.

STEP 4

Attach each intermediate (INT) fixture to the run.



Attach each intermediate (INT) fixture to the run, using screws & nuts to pull flanges together. Connect appropriate wiring where desired using supplied electrical connectors.

STEP 5

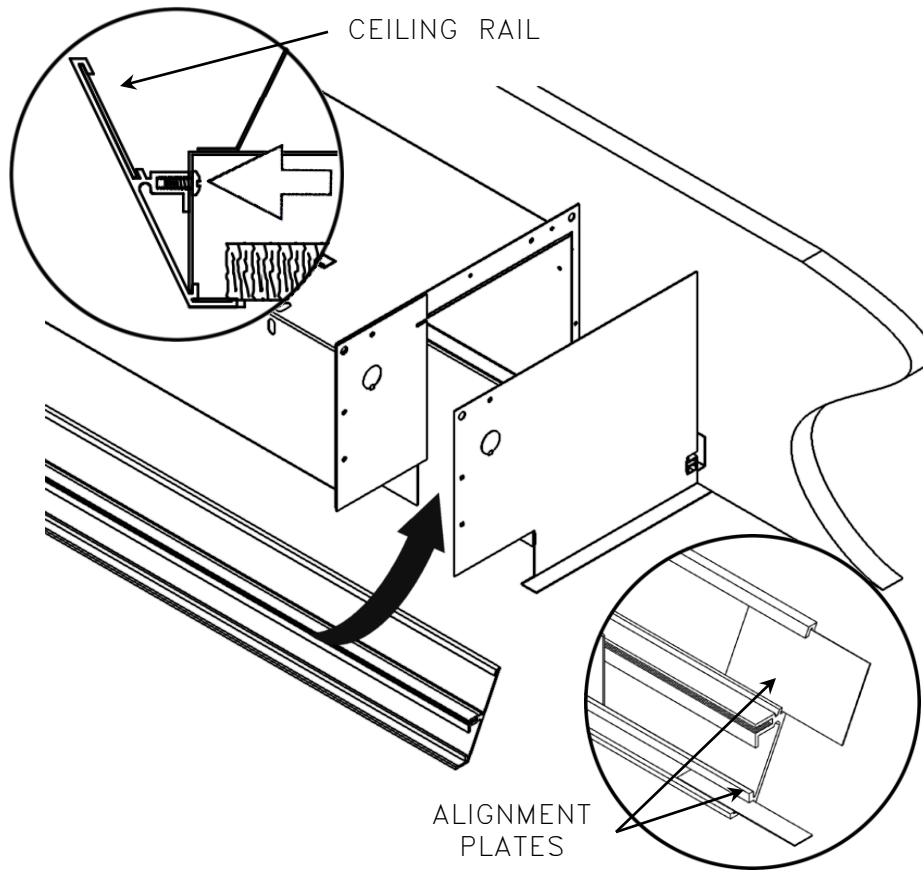
Cut & attach End Of Run (EOR) fixture to run.
(See Steps 1, 2 & 3.)

neoray

100 Andrews Rd., Hicksville, NY 11801
TEL: 516-470-1000

STEP 6

Cut & attach ceiling rail.



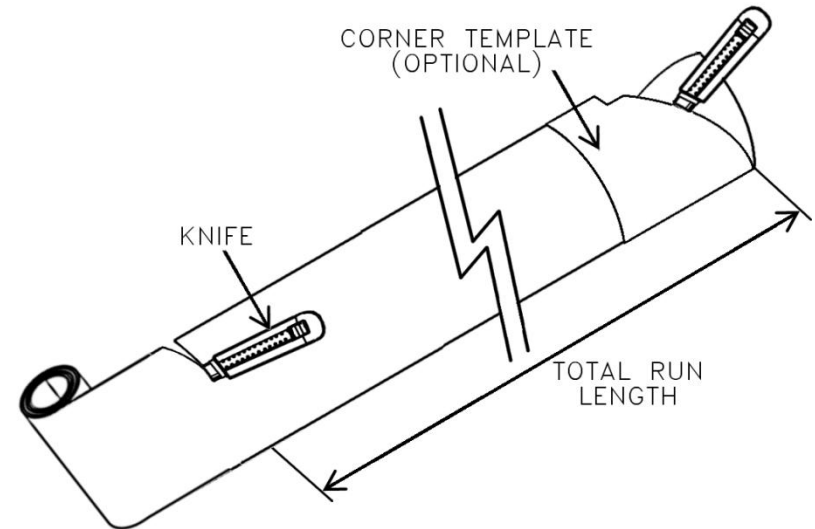
Extrusions are supplied in twelve-foot lengths (to minimize seams). Attach the ceiling extrusions to each fixture as shown & both end plates. Insert alignment plates between segments, making sure each is flush & level.

Cut final extrusion to run length, and attach to end plate.

STEP 7

Cut Pentaflex reflector material to appropriate length.

NOTE: Pentaflex is a highly visible component. Avoid marking, kinking, or folding the reflective surface.



Using a sharp knife, cut strips from the roll of Pentaflex (shipped separately) to fit the full length of the run, flush with the ends of the wall rails. (If more than one strip is needed, leave a 3-4" overlap in the center.) If there is a corner at either end of the run, use the supplied Pentaflex corner template to cut the corner's profile at the proper end of the strip.

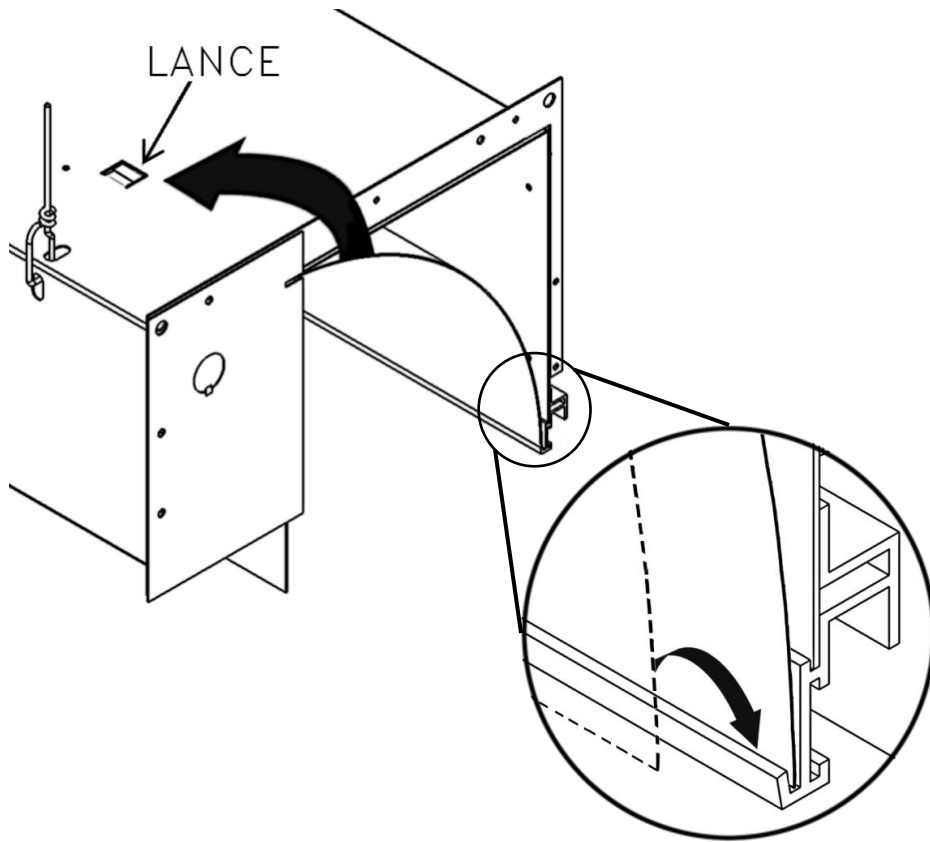
neoray

100 Andrews Rd., Hicksville, NY 11801

TEL: 516-470-1000

STEP 8

Install Pentaflex.

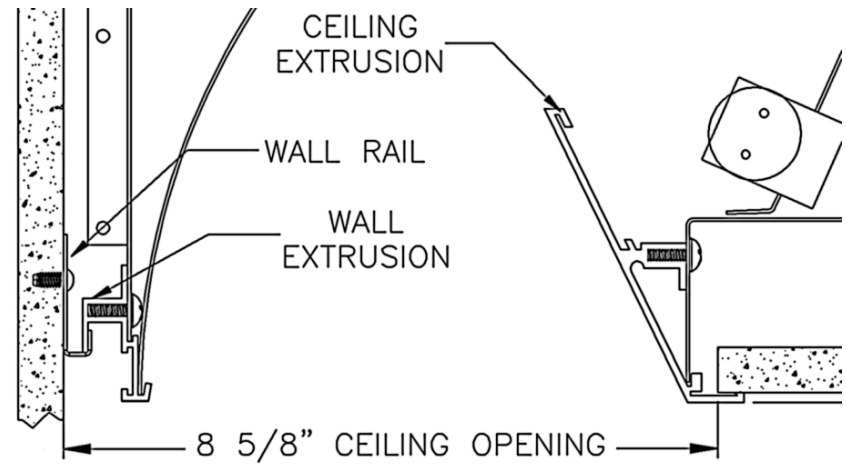


Push the left edge of the Pentaflex firmly against the end of the run, carefully tucking the top edge into the leftmost lance on the BOR housing. Continue in a like fashion to the center of the run.

When finished, tuck the bottom edge into the indicated channel in the wall rail.

STEP 9

Trim fixture(s) with ceiling.



Cut ceiling to interface with fixture as shown. Level with indicated face of ceiling rail. Check to make sure all parts are properly seated & flush.

neoray

100 Andrews Rd., Hicksville, NY 11801

TEL: 516-470-1000