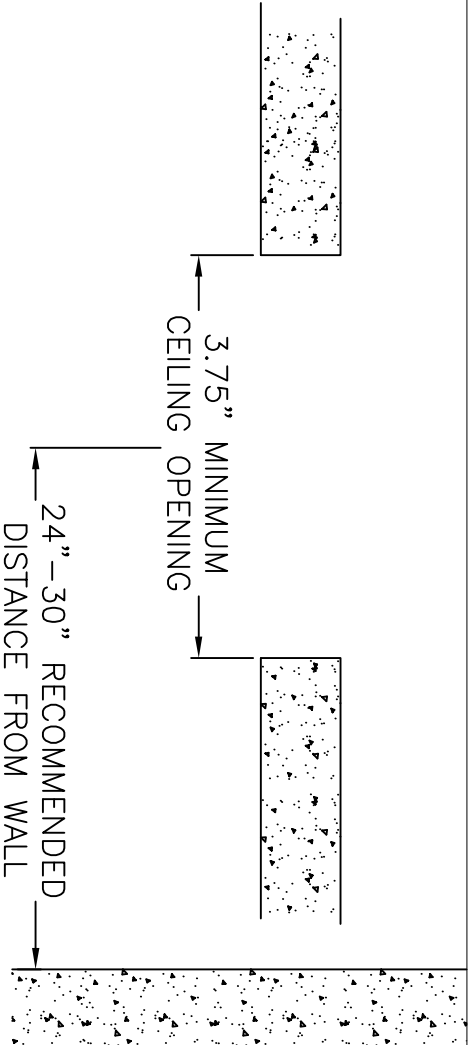
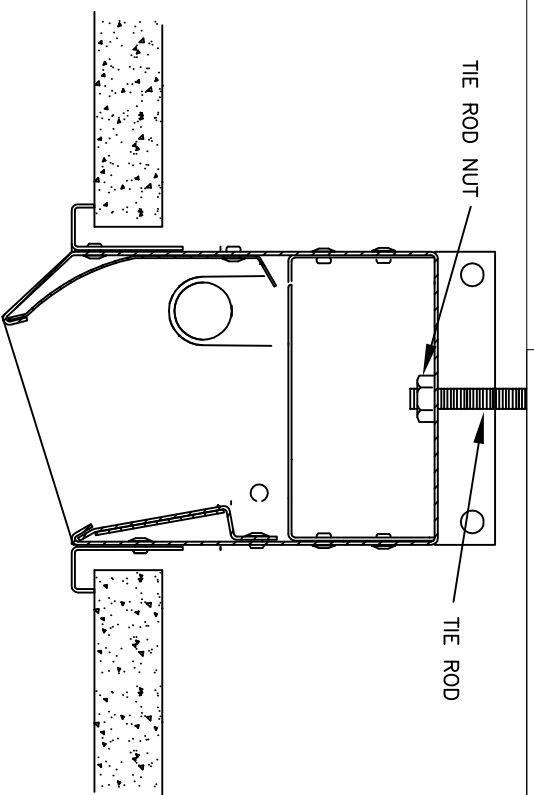


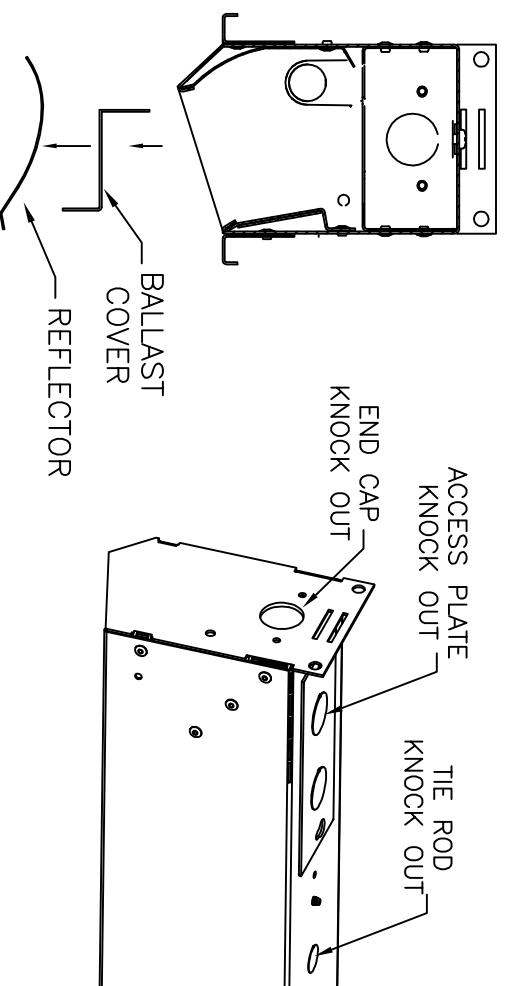
S23XR/1T5 SR CEILING INSTALLATION INSTRUCTIONS



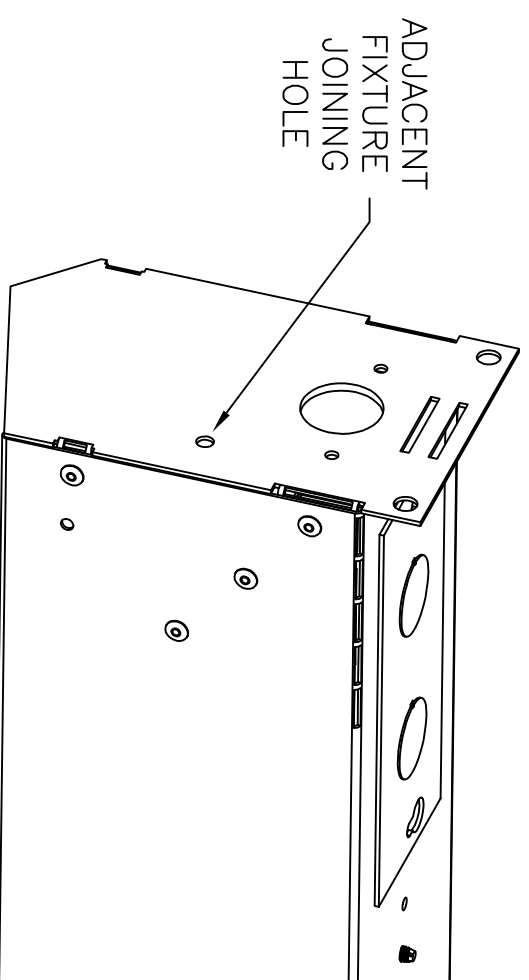
STEP 1: CREATE CEILING OPENING IN SHEETROCK. REFER TO JOB CUT SHEET FOR LENGTH OF OPENING. SECURE THE RODS AT APPROPRIATE LOCATIONS RELATIVE TO CEILING OPENING (SEE CUT SHEET).



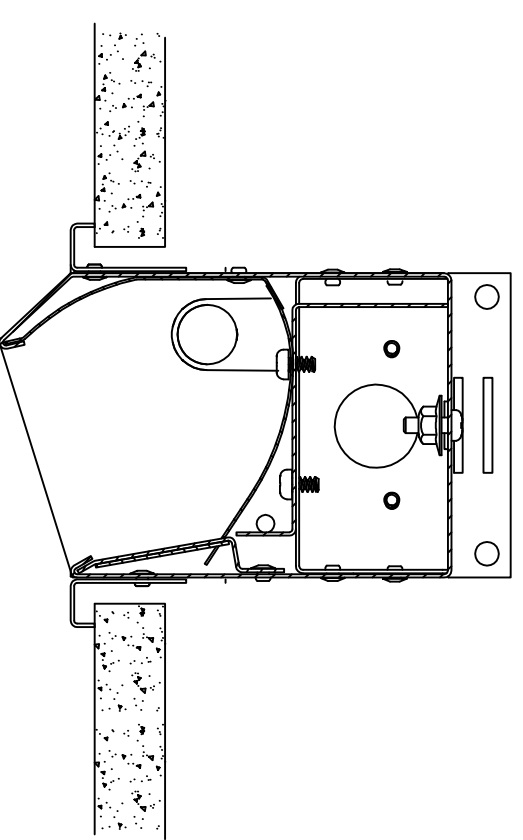
STEP 3: INSTALL FIXTURE SECTIONS (ONE AT A TIME) INTO THE CEILING FROM BELOW. PUSH THE RODS THROUGH REMOVED KNOCK OUTS. INSTALL THE ROD NUT AND TIGHTEN UNTIL THE TOP OF THE SHEETROCK FLANGES CONTACTS THE SURFACE OF THE CEILING. PULL FEED WIRE(S) THROUGH REMOVED FEED KNOCK OUT(S).



STEP 2: REMOVE RELECTORS AND BALLAST COVERS FROM ALL FIXTURES. FOR RUNS, REMOVE KNOCK OUTS ON ENDCAPS FOR THROUGH WIRING PURPOSES (WHERE APPLICABLE). REMOVE ALL THE ROD KNOCK OUTS ON HOUSINGS. REMOVE ACCESS PLATE KNOCK OUT(S) TO BE USED FOR FEEDS.



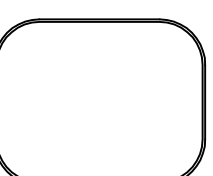
STEP 4: (FOR RUNS ONLY) JOIN ADJACENT FIXTURES USING HOLES IN END CAPS



STEP 5: WIRE FIXTURES. REINSTALL THE REFLECTORS AND BALLAST COVERS. INSTALL THE LAMPS.

REVISIONS	
B	DATE
A	DATE

THIS DOCUMENT IS THE CONFIDENTIAL AND PROPRIETARY PROPERTY OF NEO-RAY AND MAY NOT BE USED OR REPRODUCED NOR ITS CONTENTS DIVULGED WITHOUT NEO-RAY'S CONSENT OR KNOWLEDGE.



100 Andrews Road., Hicksville, N.Y. 11801
 TEL: 516-470-1000 FAX: 516-470-1077
neoray
 COOPER Lighting Solutions
 www.cooperlighting.com

INSTRUCTIONS FOR SERIES
 SERIES 23XR/1T5
 SHEETROCK (SR)

DRAWN BY: JH APPROVED: JH
 DATE: 4/13/09 SCALE: NONE
 INSTALLATION INSTRUCTIONS
 SHEET 3 OF 3