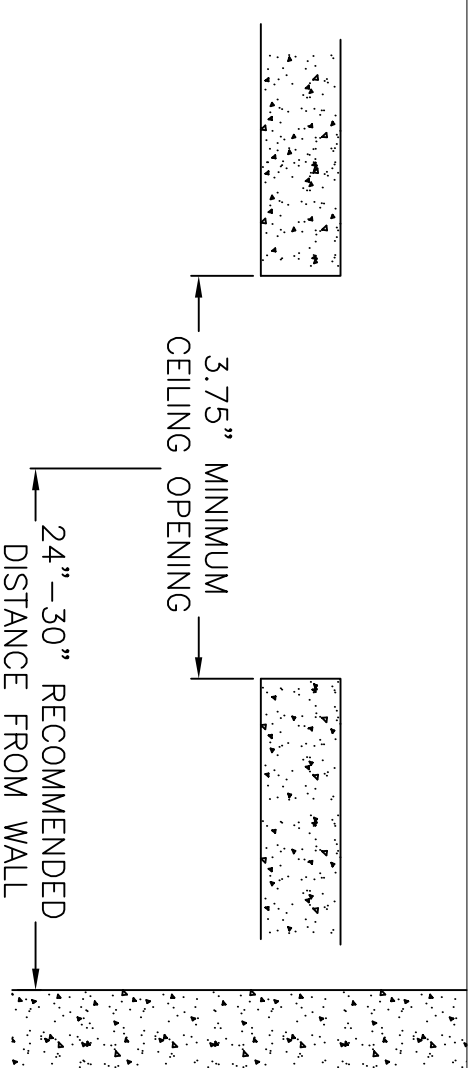
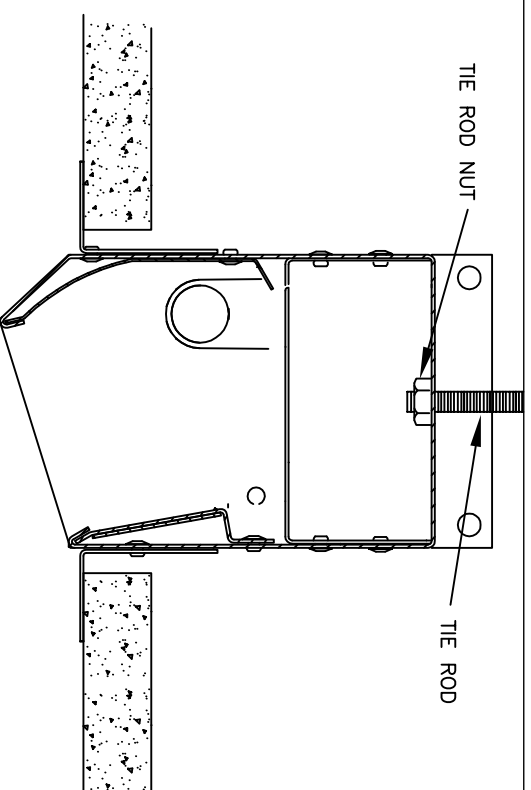


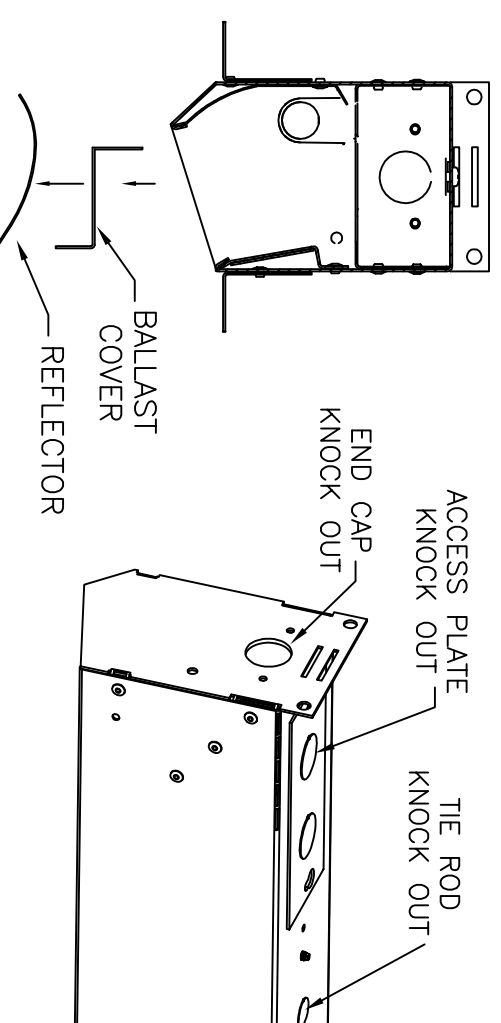
S23XR/1T5 FSR CEILING INSTALLATION INSTRUCTIONS



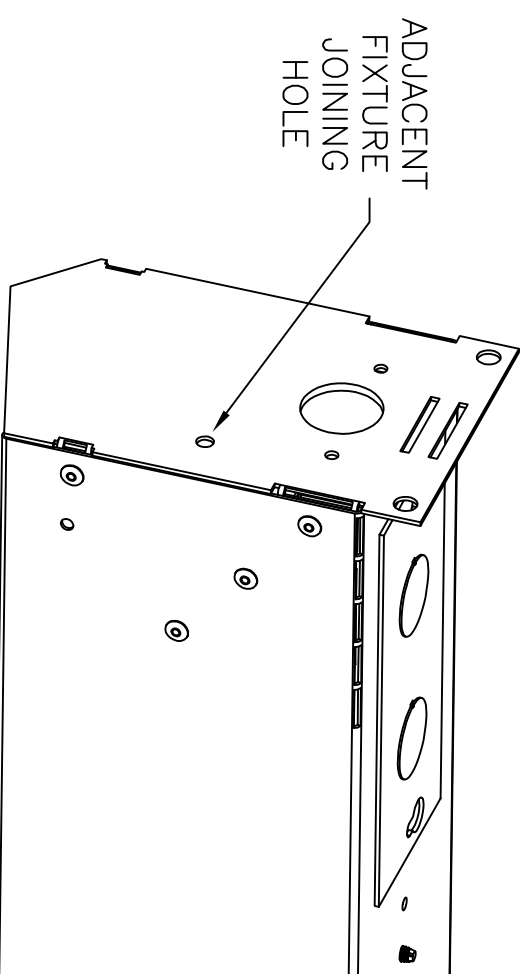
STEP 1: CREATE CEILING OPENING IN SHEETROCK. REFER TO JOB CUT SHEET FOR LENGTH OF OPENING. SECURE THE RODS AT APPROPRIATE LOCATIONS RELATIVE TO CEILING OPENING (SEE CUT SHEET).



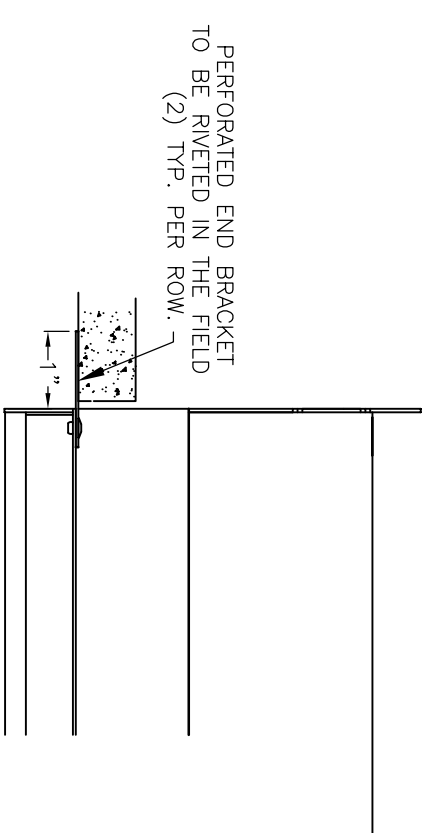
STEP 4: INSTALL FIXTURE SECTIONS (ONE AT A TIME) INTO THE CEILING FROM BELOW. PUSH THE RODS THROUGH REMOVED KNOCK OUTS. INSTALL THE ROD NUT AND TIGHTEN UNTIL THE TOP OF THE PERFORATED FLANGES CONTACTS THE SURFACE OF THE CEILING. PULL FEED WIRE(S) THROUGH REMOVED FEED KNOCK OUT(S).



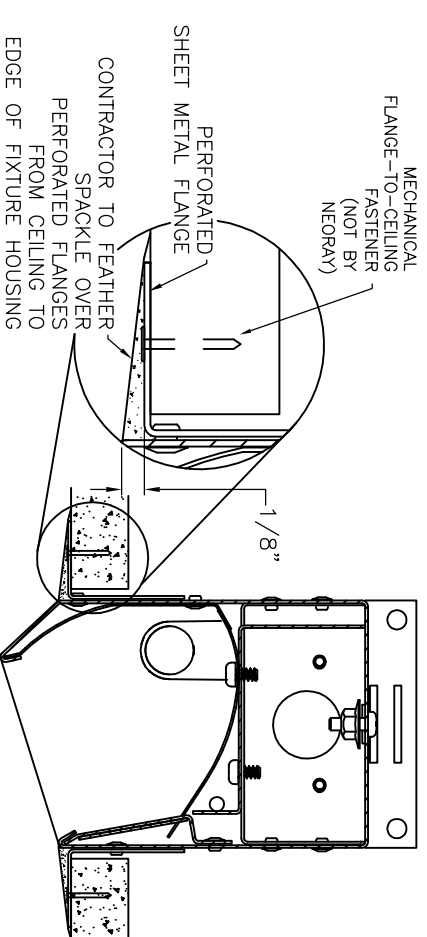
STEP 2: REMOVE REFLECTORS AND BALLAST COVERS FROM ALL FIXTURES. FOR RUNS, REMOVE KNOCK OUTS ON ENDCAPS FOR THROUGH WIRING PURPOSES (WHERE APPLICABLE). REMOVE ALL THE ROD KNOCK OUTS ON HOUSINGS. REMOVE ACCESS PLATE KNOCK OUT(S) TO BE USED FOR FEEDS.



STEP 5: (FOR RUNS ONLY) JOIN ADJACENT FIXTURES USING HOLES IN END CAPS



STEP 3: RIVET PERFORATED END BRACKET ONTO SIDE PERFORATED RAILS ALREADY INSTALLED ON HOUSING. RIVET (1) BRACKET ON EACH SIDE OF AN INDIVIDUAL FIXTURE. RIVET (1) BRACKET ON THE OUTER END OF THE FIRST AND LAST FIXTURE IN A RUN APPLICATION.



STEP 6: WIRE FIXTURES. REINSTALL THE REFLECTORS AND BALLAST COVERS. INSTALL THE LAMPS. SECURE FSR RAILS TO SHEETROCK WITH FASTENING HARDWARE. FEATHER SPACKLE OVER PERFORATED FLANGES FROM THE CEILING TO THE EDGE OF THE FIXTURE HOUSING TO CREATE A SEAMLESS APPEARANCE.

REVISIONS	
B	DATE
A	DATE

THIS DOCUMENT IS THE CONFIDENTIAL AND PROPRIETARY PROPERTY OF NEORAY AND MAY NOT BE USED OR REPRODUCED NOR ITS CONTENTS DIVULGED WITHOUT NEORAY'S CONSENT OR KNOWLEDGE.



INSTRUCTIONS FOR SERIES

SERIES 23XR/1T5
FLANGELESS SHEETROCK (FSR)

DRAWN BY	APPROVED	INSTALLATION INSTRUCTIONS
JH		
DATE	SCALE	
3/4/09	NONE	SHEET 3 OF 3