

## Installation Instructions – Define Perimeter Grid/FES S122-S125

---

**⚠ WARNING**

**RISK OF ELECTRIC SHOCK—Disconnect power at fuse or circuit breaker before installing or servicing.**

---

**⚠ WARNING**

**Risk of fire/electric shock. If not qualified, consult an electrician.**

---

**⚠ WARNING**

**Risk of fire or electric shock. Fixture wiring, driver, or other electrical parts may be damaged during installation. Check enclosed wiring and components.**

---

**⚠ WARNING**

**RISK OF PERSONAL INJURY - Fixture may become damaged and/or unstable if not installed properly.**

---

**NOTE:** This product must be installed in accordance with the applicable installation code by a certified electrician familiar with the construction and operation of the product and hazards involved.

**NOTE:** Only those open holes indicated in the photographs and/or drawings may be made or altered as a result of kit installation. Do not leave any other open holes in an enclosure of wiring or electrical components.


**NOTE:** To prevent wiring damage or abrasion, do not expose wiring to edges of sheet metal or any sharp objects.

**NOTE:** Disconnect all power before proceeding.

# Installation Instructions

## Define Series (2" - 5" Housing Size)

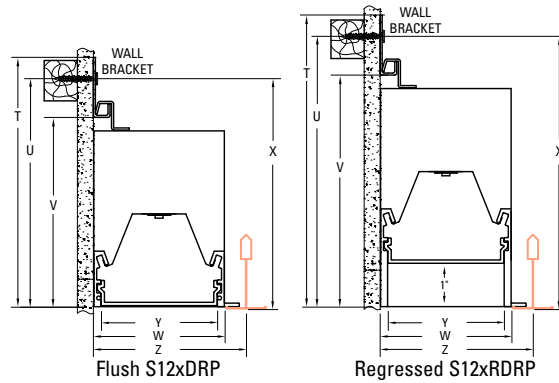
Individual and Continuous Luminaires - Perimeter Installation  
For Installation in Grid Ceilings

 Before starting any work, ensure that all power sources are turned off. All work must meet local/national electrical codes and be performed by a certified electrician.

### Parts List

- Luminaire
- Grid Bracket/Joiner (pre-installed in fixture)
- Access Plate (pre-installed in housing)
- Support Wire/Threaded Rod (by others)
- Shielded Cable (by others)
- J-rail
- Push-in Quick Connects (supplied) or Wire nuts
- Alignment Pins (pre-installed in fixture) (Continuous runs only)
- #8-32 2-1/2" Bolts and Nuts (Continuous runs only)
- 9/64" Allen Wrench (by others)
- 11/32" Flexible Nut Driver (by others)
- #2 Phillips Screw Driver (by others)
- Lens Removal Tool

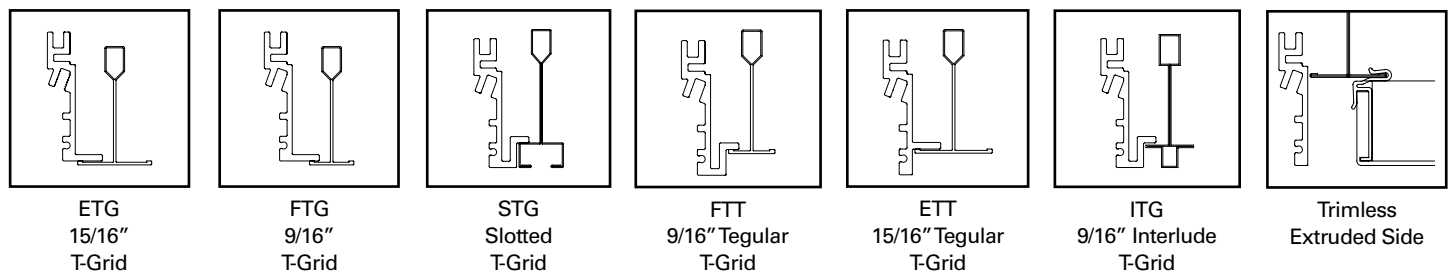
### Cross Section

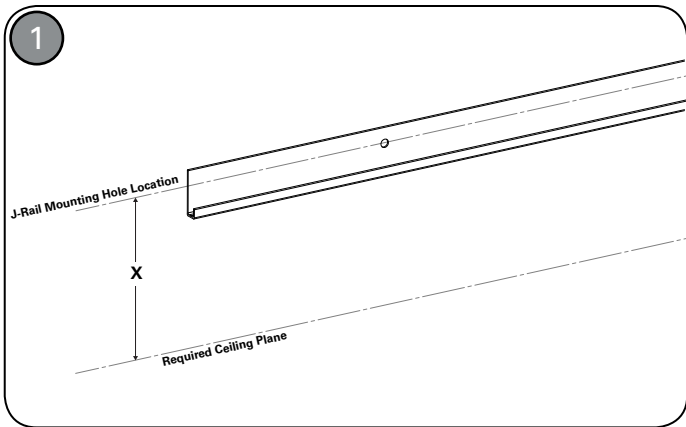


### Grid Spacing Details

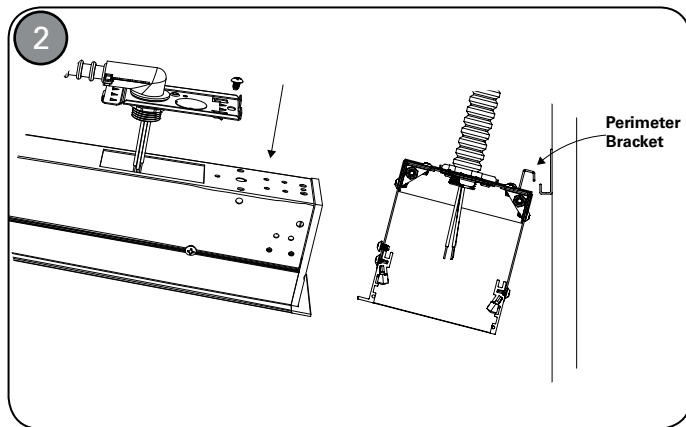
Perimeter GRID	T	U	V	W	X	Y	Z
Fixture Type	TOP OF J-RAIL TO BOTTOM OF FIXTURE	MOUNTING HOLE LOCATION TO BOTTOM OF FIXTURE	BOTTOM OF J-RAIL TO BOTTOM OF FIXTURE	FIXTURE WIDTH	MOUNTING HOLE LOCATION TO BOTTOM OF GRID (CRITICAL)	APERTURE SIZE	WALL TO GRID SPACING
Flush Installation							
Define 1	3.109	2.922	2.047	1.500"	2.972	1.180"	2.000"
Define 2	4.864	4.677	3.802	2.000"	4.727	1.680"	2.500"
Define 3	5.314	5.127	4.252	3.000"	5.177	2.680"	3.500"
Define 4	5.814	5.627	4.752	4.000"	5.677	3.680"	4.500"
Define 5	6.314	6.127	5.252	5.000"	6.177	4.680"	5.500"
Regressed Installation							
Define 1	4.109	3.922	3.047	1.500"	3.972	1.180"	2.000"
Define 2	5.864	5.677	4.802	2.000"	5.727	1.680"	2.500"
Define 3	6.314	6.127	5.252	3.000"	6.177	2.680"	3.500"
Define 4	6.814	6.627	5.752	4.000"	6.677	3.680"	4.500"
Define 5	7.314	7.127	6.252	5.000"	7.177	4.680"	5.500"

### Mounting Information - Extruded Trim Flange Details - Refer to submittal drawings for detailed flange information

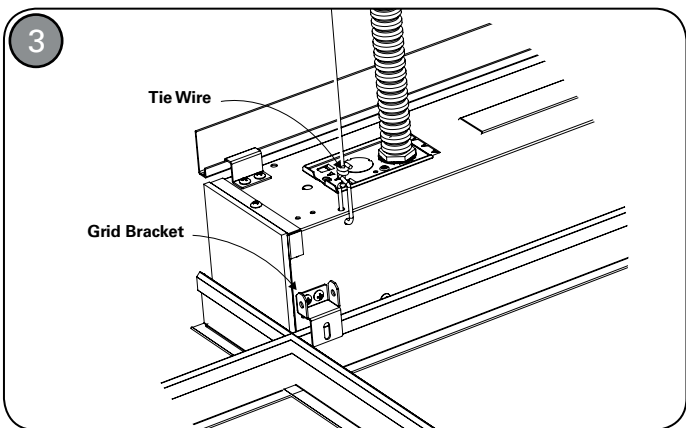




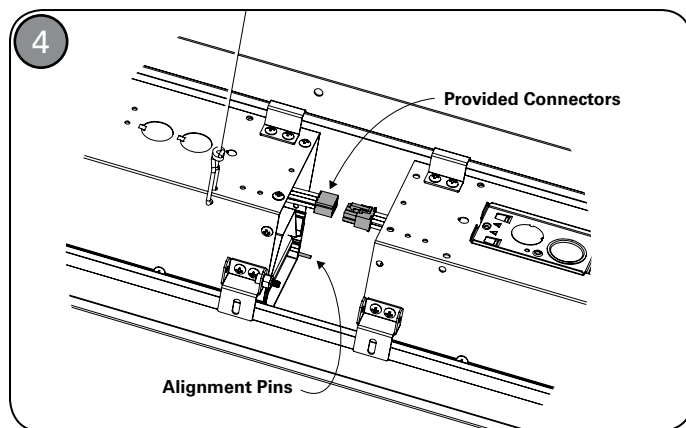
Mark wall at desired location for mounting J-rail. Use dimension "X" as shown on table of page 2 for locating the correct ceiling (bottom of grid) to mounting hole location. Secure J-rail to structure. Hardware, bracing, and other structural support for J-rail to be supplied and installed by contractor as needed. J-rail hole diameter is 1/4" - #12 screws recommended.



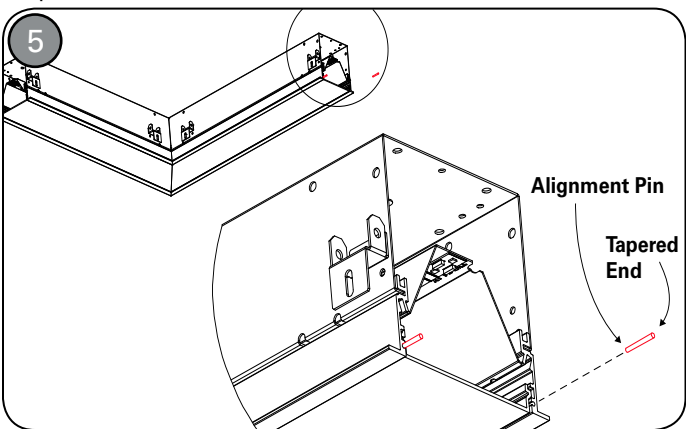
Remove access plate on top of fixture. Secure shielded cable to access plate. Connect power wiring to fixture. Reinstall access plate pushing wiring back through housing. Lift fixture onto J-rail via perimeter brackets on side of fixture.



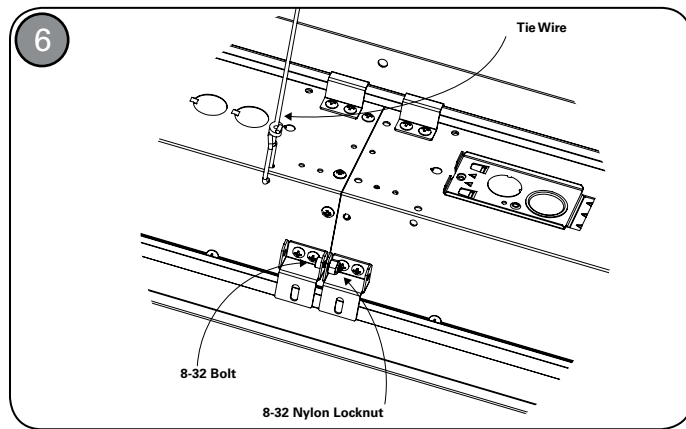
Secure fixture to structure via tie wires as required by local building code. Note: If desired or required, J-rail allows for up to 3/16" adjustment. Fixture can be shimmed for a shadow reveal effect if desired. Standard mounting is flush against wall. **OPTIONAL STEP:** Secure fixture to grid using #8 screws through grid bracket. Required for seismic installations.



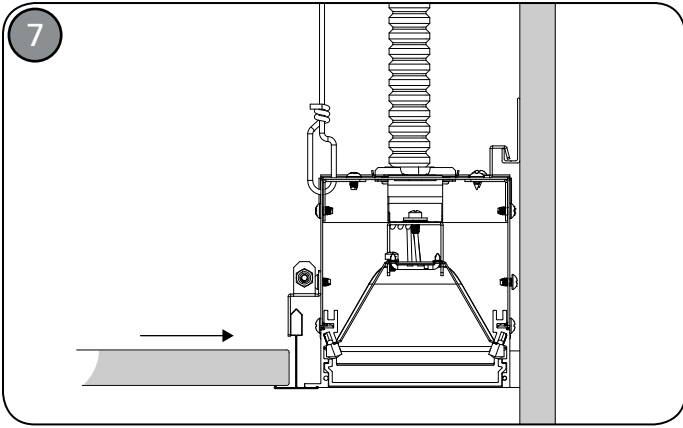
**FOR CONTINUOUS RUNS:** Hang next fixture in row on J-rail as in step 2. Connect through wiring using the provided push in connectors. Tuck wiring into fixture and push together ensuring alignment pins are properly connected.



**FOR CORNER INSTALLATION:** Prepare corner unit for installation. Identify power feed side (end toward Beginning of Run). Prep wires on power feed side for connection to previous section in the run / pattern. Install alignment pins into extrusion non-power feed side using a hammer. Tapered side should face outward.

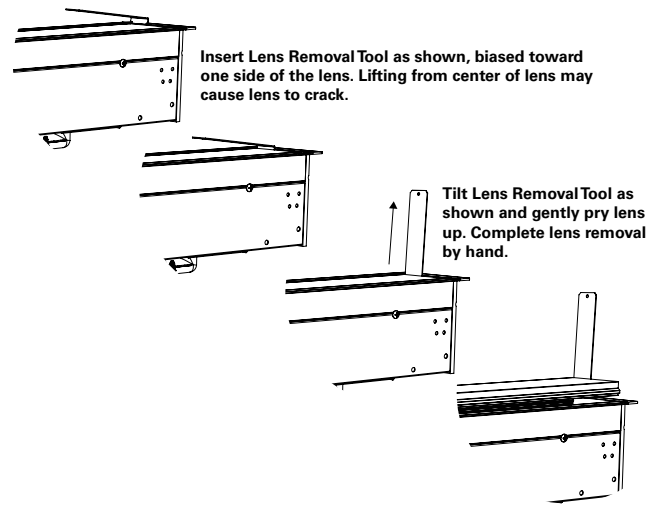


**FOR CONTINUOUS RUNS:** Secure run using #8-32 bolt and nut. Add tie wire for additional support where required.



Install acoustic tiles to meet grid as required. Installation is complete.

#### Lens Removal



Insert Lens Removal Tool as shown, biased toward one side of the lens. Lifting from center of lens may cause lens to crack.

Tilt Lens Removal Tool as shown and gently pry lens up. Complete lens removal by hand.

## Warranties and Limitation of Liability

Please refer to [www.cooperlighting.com](http://www.cooperlighting.com) for our terms and conditions.

## Garanties et limitation de responsabilité

Veuillez consulter le site [www.cooperlighting.com](http://www.cooperlighting.com) pour obtenir les conditions générales.

## Garantías y Limitación de Responsabilidad

Visite [www.cooperlighting.com](http://www.cooperlighting.com) para conocer nuestros términos y condiciones.

Cooper Lighting Solutions  
1121 Highway 74 South  
Peachtree City, GA 30269  
P: 770-486-4800  
[www.cooperlighting.com](http://www.cooperlighting.com)

© 2020 Cooper Lighting Solutions  
All Rights Reserved  
Printed in USA  
Imprimé aux États-Unis  
Impreso en los EE. UU.  
Publication No. IL519028EN  
August 21, 2019



Cooper Lighting Solutions is a registered trademark. All trademarks are property of their respective owners.

Cooper Lighting Solutions est une marque de commerce déposée. Toutes les autres marques de commerce sont la propriété de leur propriétaire respectif.

Cooper Lighting Solutions es una marca comercial registrada. Todas las marcas comerciales son propiedad de sus respectivos propietarios.

Product availability, specifications, and compliances are subject to change without notice

La disponibilité du produit, les spécifications et les conformités peuvent être modifiées sans préavis

La disponibilidad de productos, las especificaciones y los cumplimientos están sujetos a cambio sin previo aviso