

Installation Instructions – Define Gen 2 Recessed Grid / FES S122-S125

⚠ WARNING

RISK OF ELECTRIC SHOCK—Disconnect power at fuse or circuit breaker before installing or servicing.

⚠ WARNING

Risk of fire/electric shock. If not qualified, consult an electrician.

⚠ WARNING

Risk of fire or electric shock. Fixture wiring, driver, or other electrical parts may be damaged during installation. Check enclosed wiring and components.

⚠ WARNING

RISK OF PERSONAL INJURY - Fixture may become damaged and/or unstable if not installed properly.

NOTE: This product must be installed in accordance with the applicable installation code by a certified electrician familiar with the construction and operation of the product and hazards involved.

NOTE: Only those open holes indicated in the photographs and/or drawings may be made or altered as a result of kit installation. Do not leave any other open holes in an enclosure of wiring or electrical components.

NOTE: To prevent wiring damage or abrasion, do not expose wiring to edges of sheet metal or any sharp objects.

NOTE: Disconnect all power before proceeding.

Installation Instructions

Define Series (122, 123, 124, 125)

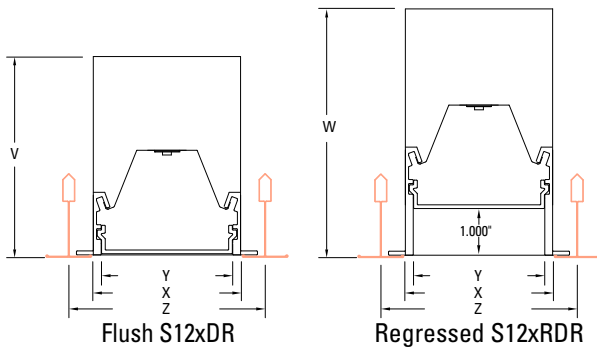
Individual and Continuous Luminaires
For Installation in Grid Ceilings

⚠ Before starting any work, ensure that all power sources are turned off. All work must meet local/national electrical codes and be performed by a certified electrician.

Parts List

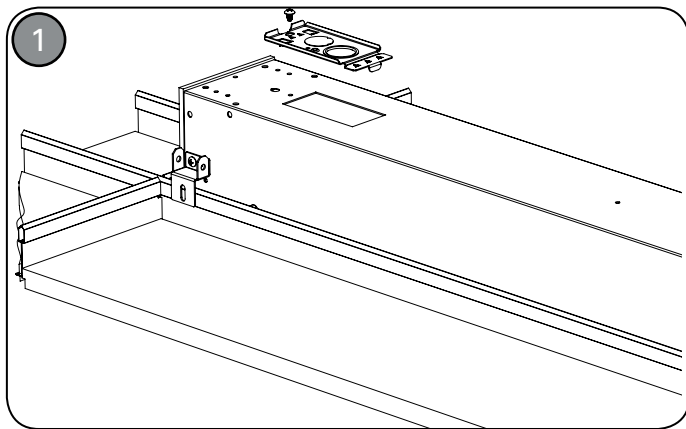
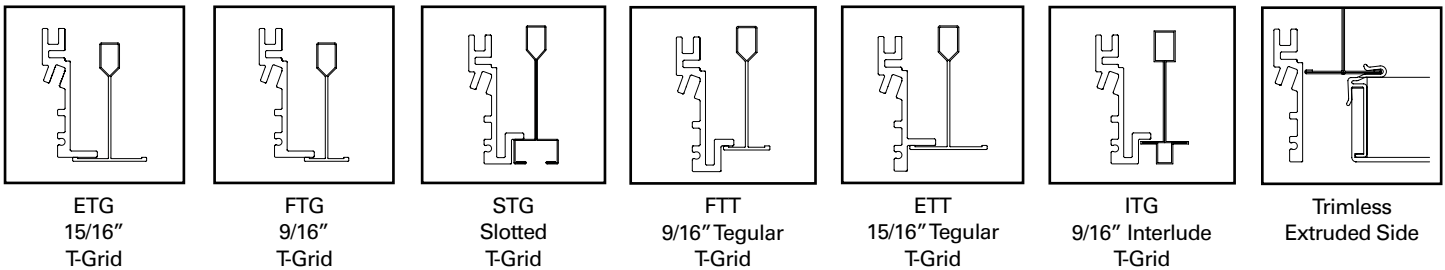
- Luminaire
- Grid Bracket/Joiner (pre-installed in fixture)
- Access Plate (pre-installed in housing)
- Support Wire (by others)
- Shielded Cable (by others)
- Lens Removal Tool
- Push-in Quick Connects or wire nuts
- Alignment Pins (pre-installed in fixture) (Continuous runs only)
- #8-32 2-1/2" Bolts and Nuts (Continuous runs only)
- 9/64" Allen Wrench (by others)
- 11/32" Flexible Nut Driver (by others)
- #2 Phillips Screwdriver (by others)

Cross Section and Grid Spacing Details

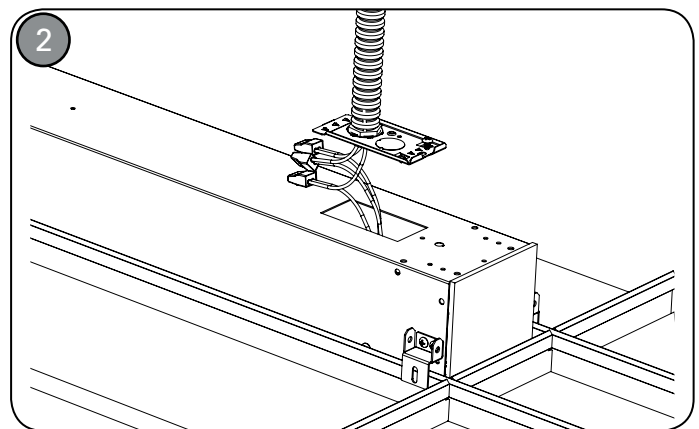


Define Cross Section Dimensions					
All Grid	V (Flush)	W (Regressed)	X	Y	Z
Define 1	1.734	2.705	1.500	1.180	2.500
Define 2	3.500	4.500	2.000	1.680	3.000
Define 3	4.000	5.000	3.000	2.680	4.000
Define 4	4.506	5.506	4.000	3.680	5.000
Define 5	5.000	6.000	5.000	4.680	6.000

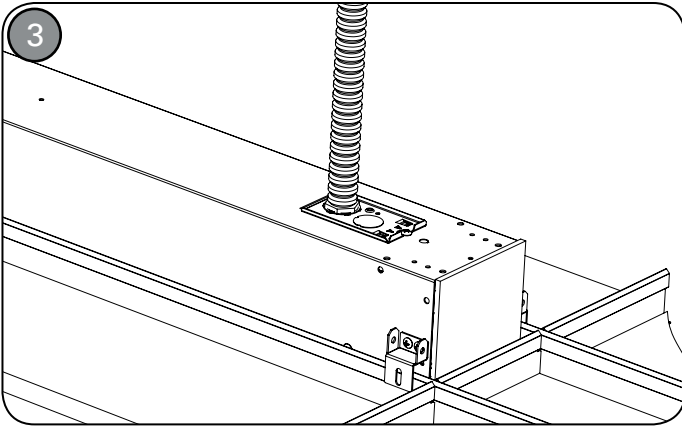
Mounting Information - Extruded Trim Flange Details - Refer to submittal drawings for detailed flange information



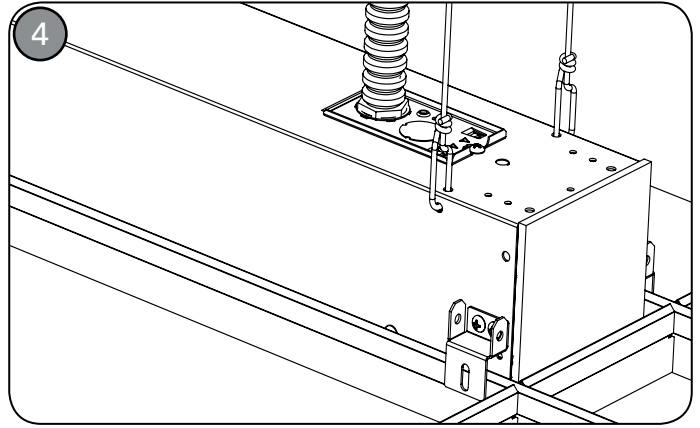
1 Prepare grid width spacing according to chart above and local building code. Install fixture housing into grid. Ensure Grid brackets secure over grid and fixture is resting on grid tee. Unscrew access plate and slide to remove as shown.



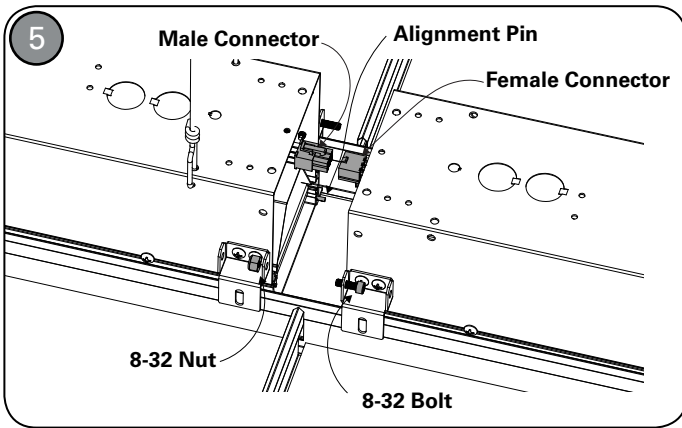
2 Connect shielded cable to access plate. Connect electrical wiring as required using provided push-in connector. Ensure wires are fully secure in connectors.



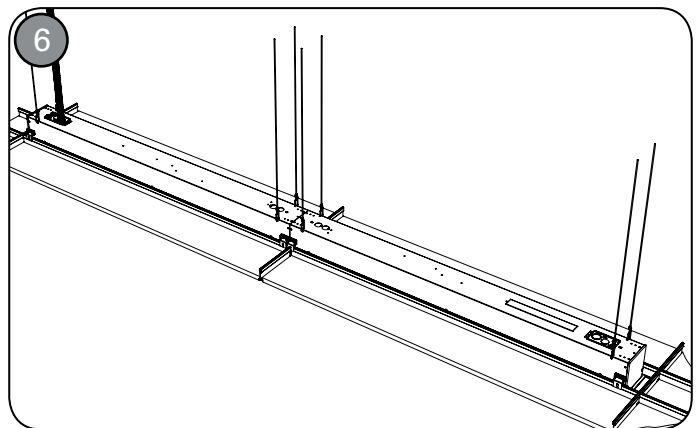
Reattach access plate by sliding plate back into housing as shown and secure access plate by re-installing screw.



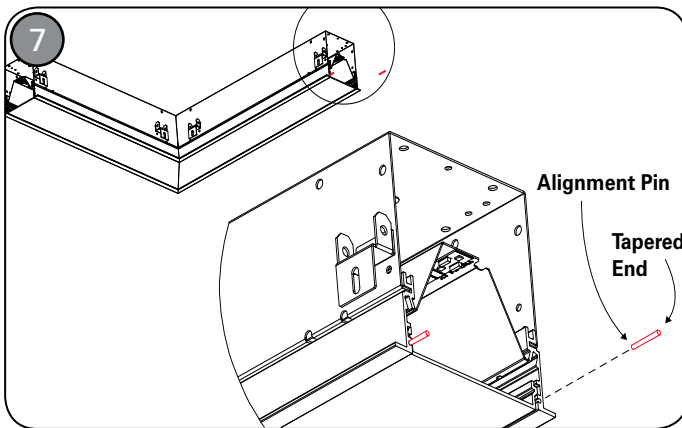
Secure fixture at both ends using support wire according to local building codes (not supplied).



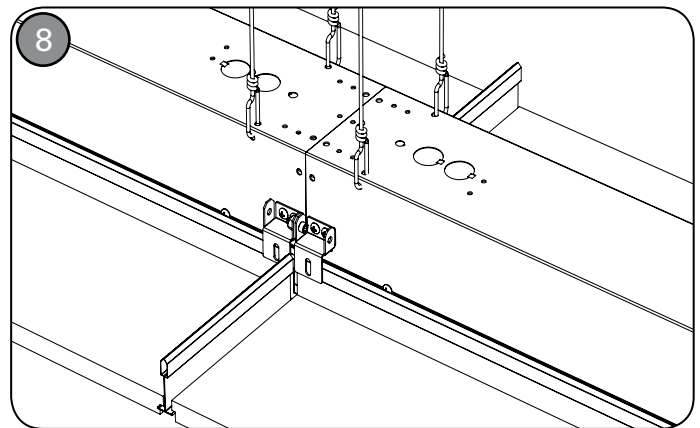
FOR CONTINUOUS RUNS: Connect through wiring using the provided push-in connectors, pressing together until they click into place. Tuck wiring into fixture and push together ensuring alignment pins are properly connected into mating features of the next fixture. Secure run using #8-32 bolts and nuts on each side of fixture through grid brackets.



FOR CONTINUOUS RUNS: Secure next fixture in row using support wires on both sides of fixture. OPTIONAL STEP: Secure fixture to grid using #8 screws through grid bracket. Required for seismic installations. Repeat steps 5-6 as necessary.

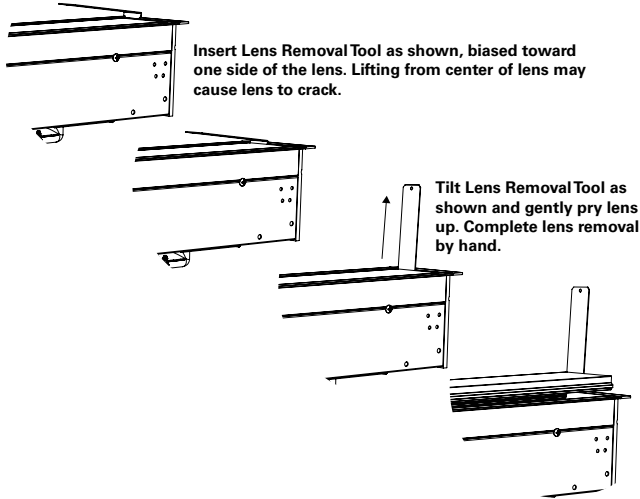


FOR CORNER INSTALLATION: Prepare corner unit for installation. Identify power feed side (end toward Beginning of Run). Prep wires on power feed side for connection to previous section in the run / pattern. Install alignment pins into extrusion non-power feed side using a hammer. Tapered side should face outward.



Installation completed.

Lens Removal (Not typically required)



Warranties and Limitation of Liability

Please refer to www.cooperlighting.com for our terms and conditions.

Garanties et limitation de responsabilité

Veuillez consulter le site www.cooperlighting.com pour obtenir les conditions générales.

Garantías y Limitación de Responsabilidad

Visite www.cooperlighting.com para conocer nuestros términos y condiciones.

Cooper Lighting Solutions
1121 Highway 74 South
Peachtree City, GA 30269
P: 770-486-4800
www.cooperlighting.com

© 2020 Cooper Lighting Solutions
All Rights Reserved
Printed in USA
Imprimé aux États-Unis
Impreso en los EE. UU.
Publication No. IL519025EN
August 21, 2019



Cooper Lighting Solutions is a registered trademark. All trademarks are property of their respective owners.

Cooper Lighting Solutions est une marque de commerce déposée. Toutes les autres marques de commerce sont la propriété de leur propriétaire respectif.

Cooper Lighting Solutions es una marca comercial registrada. Todas las marcas comerciales son propiedad de sus respectivos propietarios.

Product availability, specifications, and compliances are subject to change without notice

La disponibilité du produit, les spécifications et les conformités peuvent être modifiées sans préavis

La disponibilidad de productos, las especificaciones y los cumplimientos están sujetos a cambio sin previo aviso