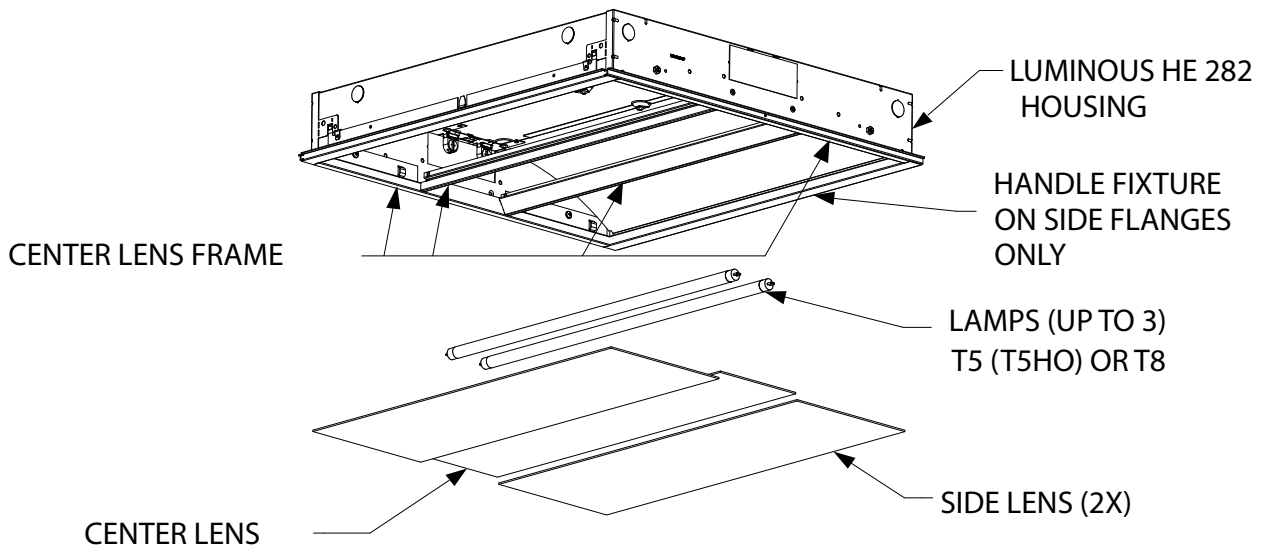


INSTALLATION INSTRUCTIONS FOR LUMINOUS HE FIXTURE IN GRID CEILING 1, 2 & 3 LAMP T5/T5HO & T8 282(2'X2');284(2'X4') HOUSING SIZE

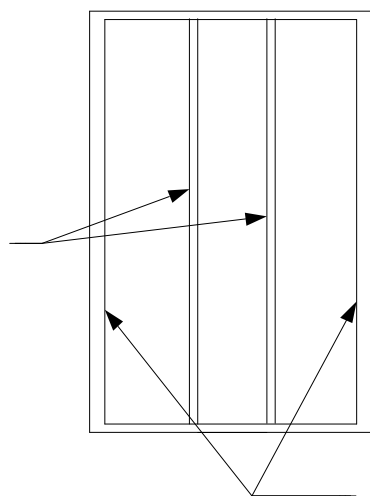
Warning: Before starting any work ensure that all sources of power are turned off. All work must meet local/national codes and be performed by a certified electrician. Do not mount fixture vertically.

EXPLODED VIEW AND PARTS CALL OUT



INSTALLATION WARNING NOTICE:

DO NOT LIFT FIXTURE
BY CENTER RAILS.

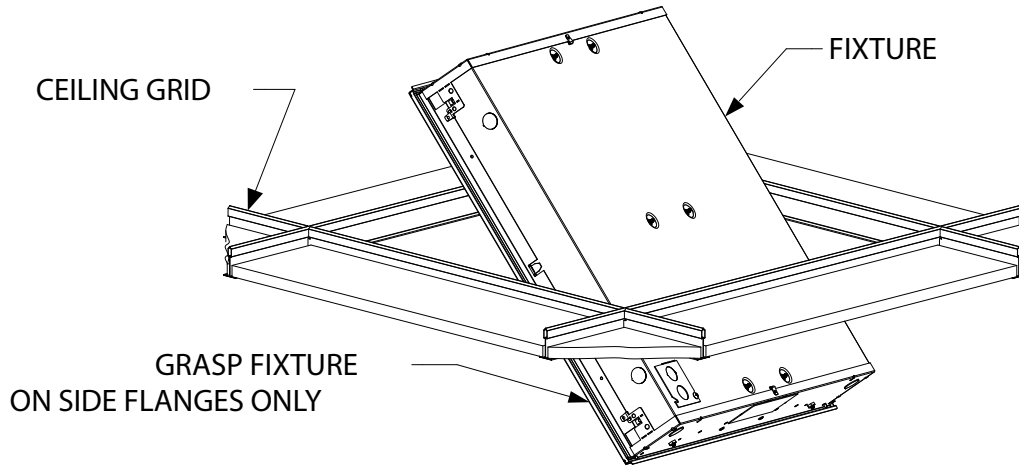


LIFT FIXTURE
BY SIDE EDGES ONLY!

INSTALLATION INSTRUCTIONS FOR LUMINOUS HE FIXTURE IN GRID CEILING 1, 2 & 3 LAMP T5/T5HO & T8 282(2'X2');284(2'X4') HOUSING SIZE

Warning: Before starting any work ensure that all sources of power are turned off. All work must meet local/national codes and be performed by a certified electrician. Do not mount fixture vertically.

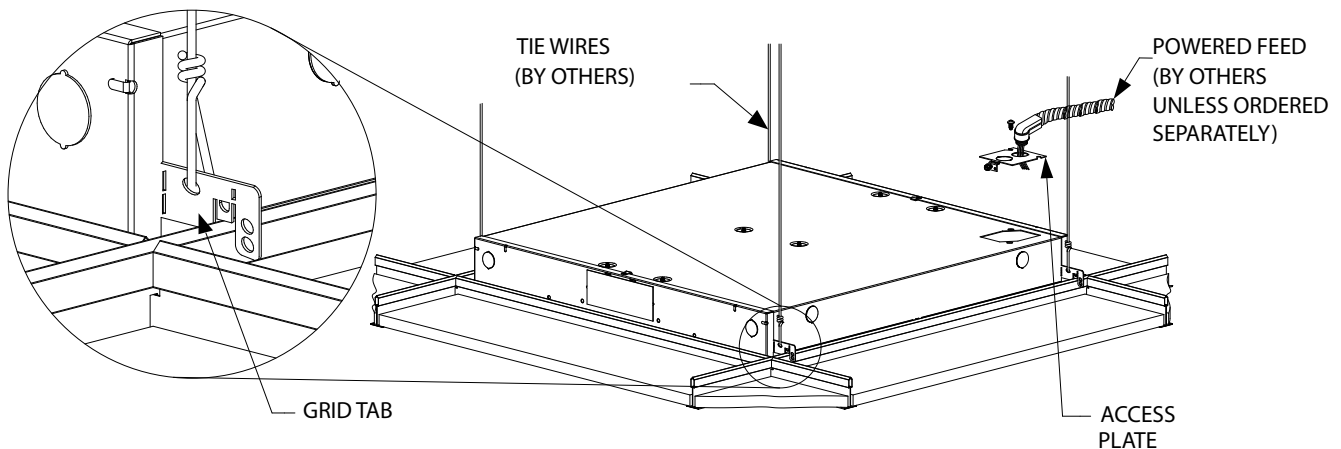
INSTALLING FIXTURE INTO CEILING GRID



1. FIRMLY GRASP FIXTURE USING CLEAN GLOVES FROM SIDES, DO NOT PUSH OR LIFT FROM CENTER LENS RAILS.
2. CAREFULLY ANGLE AND LIFT FIXTURE INTO CEILING GRID.

IF FINGERPRINTS ARE DISCOVERED, IMMEDIATELY WIPE CLEAN USING ISOPROPYL ALCOHOL ON A CLEAN RAG.

WIRING AND SECURING THE FIXTURE



3. BEND GRID TABS AROUND CEILING GRID AND TIE FIXTURE BACK TO STRUCTURE PER LOCAL CODE.
4. REMOVE ACCESS PLATE FROM FIXTURE AND CONNECT POWER FEED CONDUIT.
5. INSURE THAT WIRES ARE PROPERLY CONNECTED, PLACE WIRES AND CONNECTORS INTO FIXTURE AND REPLACE ACCESS PLATE.

* SEE PAGE 3 FOR GRID TAB DETAILS

INSTALLATION INSTRUCTIONS FOR LUMINOUS HE FIXTURE IN GRID CEILING 1, 2 & 3 LAMP T5/T5HO & T8 282(2'X2');284(2'X4') HOUSING SIZE

Warning: Before starting any work ensure that all sources of power are turned off. All work must meet local/national codes and be performed by a certified electrician. Do not mount fixture vertically.

GRID TAB DETAILS FOR DIFFERENT TYPES OF GRIDS

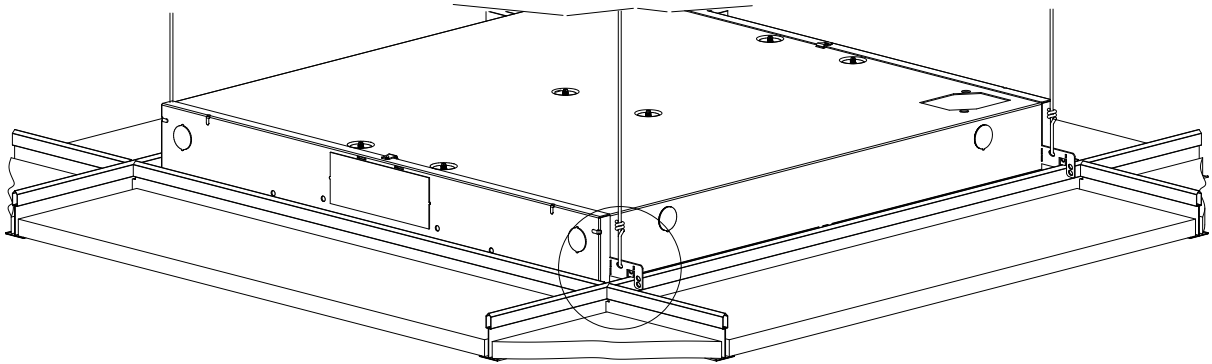
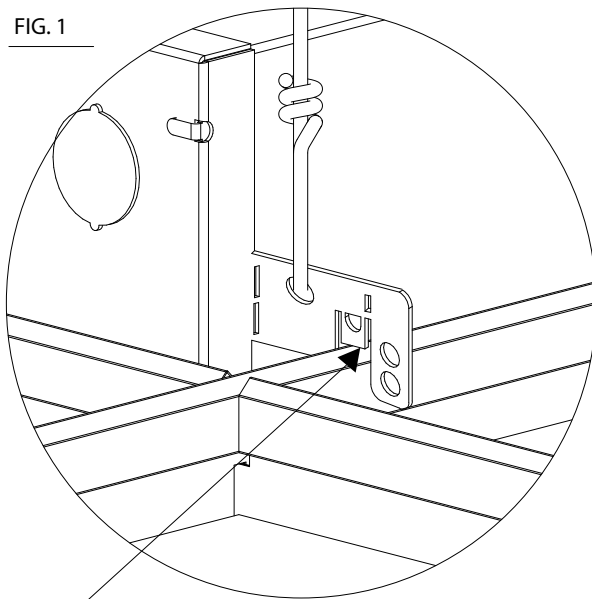
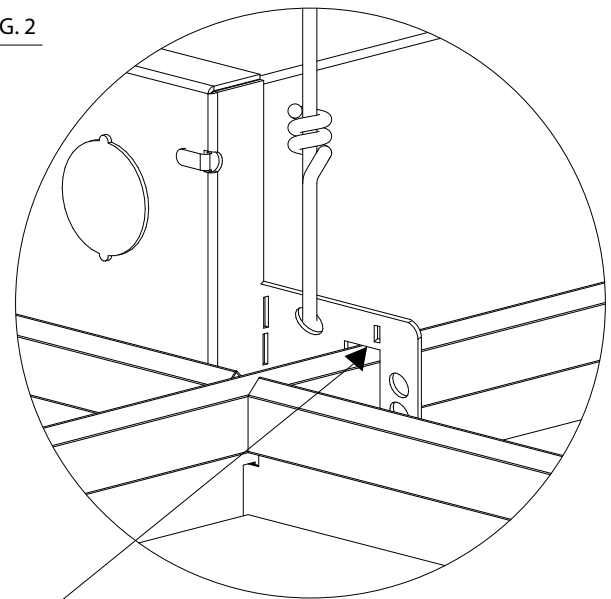


FIG. 1



LEAVE BREAK OUT TAB FOR
FIXTURES INSTALLED IN 1 1/2" HIGH GRID

FIG. 2



REMOVE BREAK OUT TAB FOR
FIXTURES INSTALLED IN 1 3/4" HIGH GRID

GRID TAB DESIGN FOR ALL GRID CEILING TYPES

FOR ALL GRID SYSTEMS THAT ARE 1 1/2" HIGH, LEAVE BREAK OUT TABS, (SEE FIG. 1)

FOR ALL GRID SYSTEMS THAT ARE FOR 1 3/4" HIGH, REMOVE BREAK OUT TABS, (SEE FIG. 2)

FOR SECURING FIXTURE IN SEIS

INSTALLATION INSTRUCTIONS FOR LUMINOUS HE FIXTURE IN GRID CEILING 1, 2 & 3 LAMP T5/T5HO & T8 282(2'X2');284(2'X4') HOUSING SIZE

Warning: Before starting any work ensure that all sources of power are turned off. All work must meet local/national codes and be performed by a certified electrician. Do not mount fixture vertically.

GRID TAB DETAILS FOR DIFFERENT TYPES OF GRIDS IN SEISMIC ZONE

FIG. 3

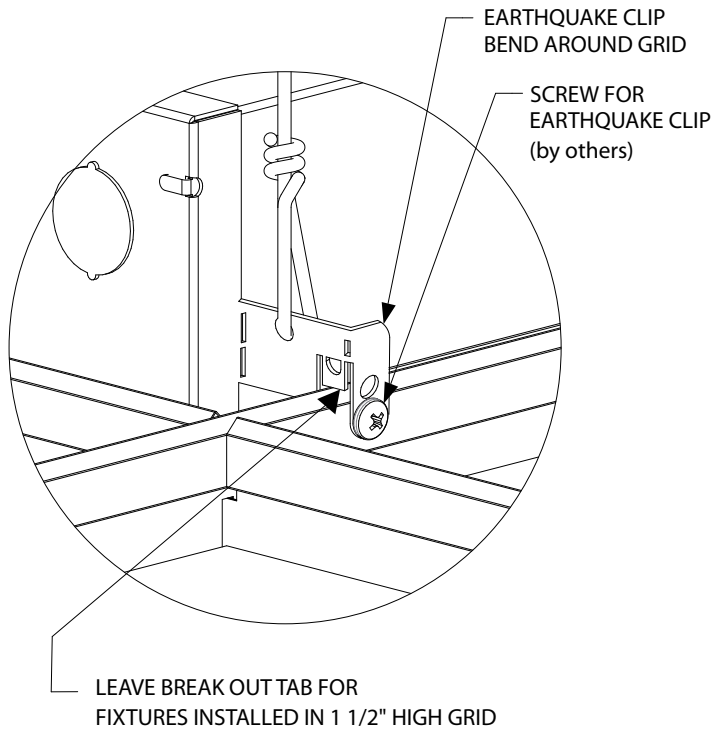
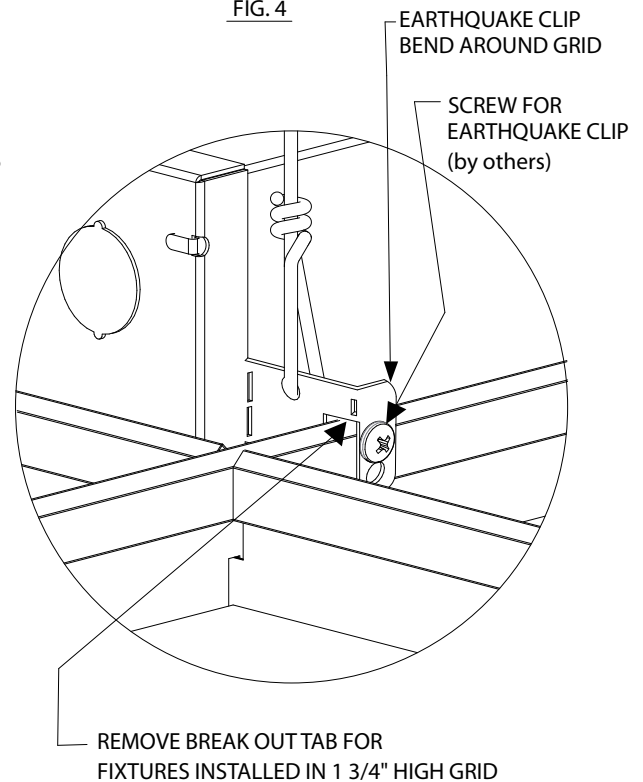


FIG. 4



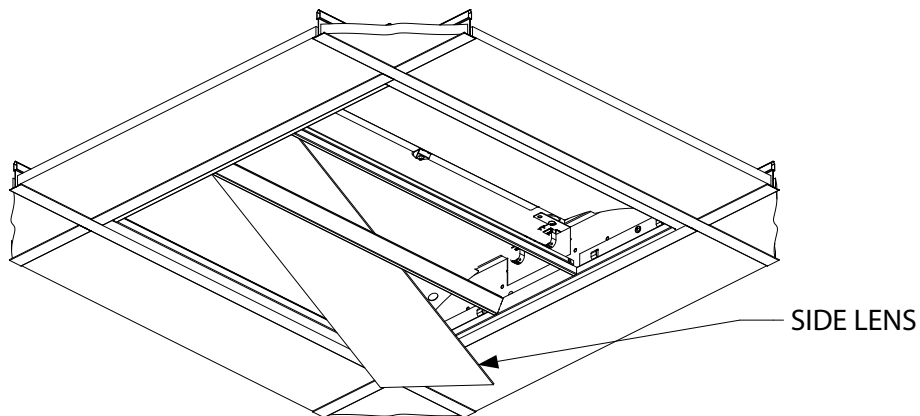
EARTHQUAKE CLIP DESIGN FOR ALL GRID CEILING TYPES

FOR SEISMIC CONFORMANCE BEND TAB AROUND GRID TO USE EARTHQUAKE CLIP AND SCREW TO SECURE FIXTURE TO GRID SEE FIG. 3 AND FIG. 4.

INSTALLATION INSTRUCTIONS FOR LUMINOUS HE FIXTURE IN GRID CEILING 1, 2 & 3 LAMP T5/T5HO & T8 282(2'X2');284(2'X4') HOUSING SIZE

Warning: Before starting any work ensure that all sources of power are turned off. All work must meet local/national codes and be performed by a certified electrician. Do not mount fixture vertically.

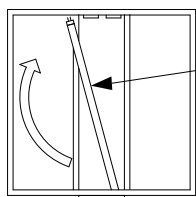
INSTALLING SIDE LENSES



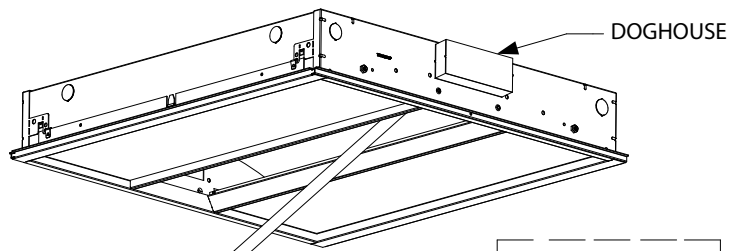
6. CAREFULLY FLEX SIDE LENS INTO SIDE APERTURE WITH SHINY SIDE FACING LAMPS. BE CAREFUL NOT TO SCRATCH THE LENS FRAME.
7. REPEAT THIS OPERATION WITH SECOND SIDE LENS.

INSTALLING T8 LAMPS INTO FIXTURE

SWING LAMP INTO OTHER SOCKET AND TWIST TO ENGAGE.

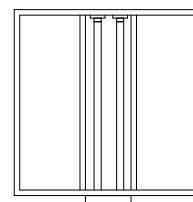


DOGHOUSE



LAMP IN DOGHOUSE CORNER

T8 LAMPS INSTALLED VIEW



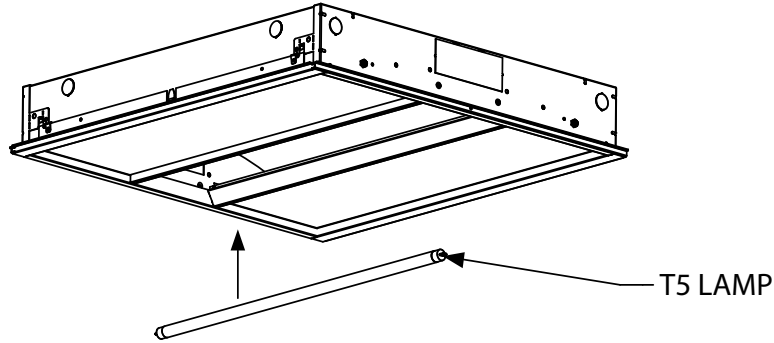
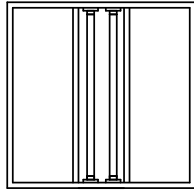
- 1) BEGIN WITH LAMP CLOSEST TO SIDE LENS
- 2) INSERT LAMP INTO DOGHOUSE CORNER AND INSERT INTO SOCKET
- 3) SWING LAMP INTO THE OPPOSITE SIDE SOCKET AND TWIST TO ENGAGE.
- 4) REPEAT STEPS 2-3 WITH SECOND AND THIRD LAMP (IF NEEDED).

INSTALLATION INSTRUCTIONS FOR LUMINOUS HE FIXTURE IN GRID CEILING 1, 2 & 3 LAMP T5/T5HO & T8 282(2'X2');284(2'X4') HOUSING SIZE

Warning: Before starting any work ensure that all sources of power are turned off. All work must meet local/national codes and be performed by a certified electrician. Do not mount fixture vertically.

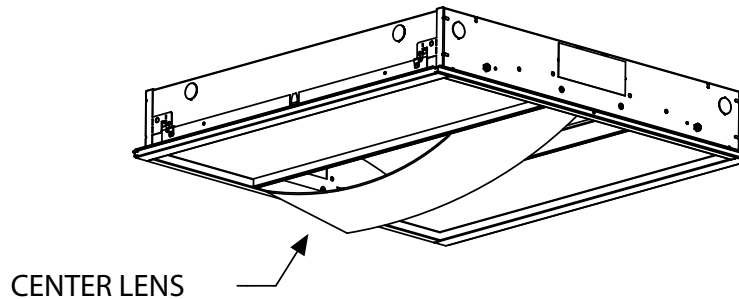
INSTALLING T5 LAMPS INTO FIXTURE

T5 LAMPS
INSTALLED
VIEW



- 1) SLIDE LAMP CONTACT INTO SOCKETS AT BOTH ENDS OF FIXTURE AND ROTATE LAMP TO SECURE IN SOCKET.
- 2) REPEAT STEP 1 WITH SECOND AND THIRD LAMP (IF NEEDED).

INSTALLING CENTER LENS INTO FIXTURE



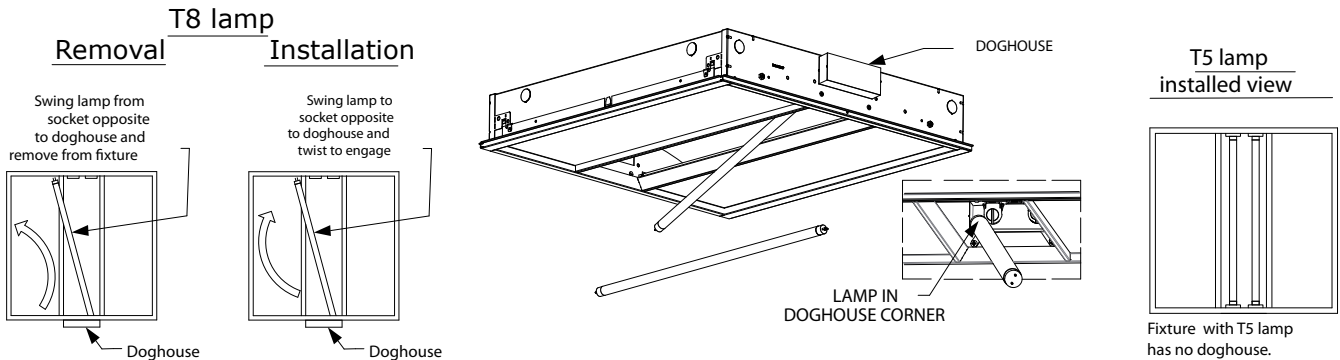
8. REMOVE PROTECTIVE FILM ON BOTH SIDES OF THE CENTER LENS
9. CAREFULLY FLEX AND ANGLE CENTER LENS INTO CENTER APERTURE WITH SHINY SIDE FACING DOWN.
BE CAREFUL NOT TO SCRATCH THE LENS FRAME. PLACE CENTER LENS ON THE CENTER RAILS SO THAT LENS IS FLUSH TO THE LENS FRAME.

* 95HT DOES NOT HAVE A PROTECTIVE FILM; 95R AND 95RE HAS A CLEAR PROTECTIVE FILM ON ONE SIDE AND A PINK PROTECTIVE FILM ON THE OTHER SIDE; 95N HAS A BLUE PROTECTIVE FILM ON ONE SIDE AND A PINK PROTECTIVE FILM ON THE OTHER SIDE.

MAINTENANCE INSTRUCTIONS FOR LUMINOUS HE FIXTURE IN GRID CEILING 1, 2 & 3 LAMP T5/T5HO & T8 282(2'X2');284(2'X4') HOUSING SIZE

Warning : Before starting any work ensure that all sources of power are turned off. All work must meet local/national codes and be performed by a certified electrician. Do not mount fixture vertically.

Easy Re-Lamping of Luminous HE 282 and 284 fixture



1) Push center lens up and slide it over to the left or right side of the fixture. Place center lens on the side lens while re-lamping the fixture.

FOR T8 RE-LAMPING:

2a) Begin with lamp closet to side lens. Pull T8 lamp from socket, swing T8 lamp to corner of doghouse and remove lamp from fixture. Repeat steps with second and third lamps (if needed).

3a) To install T8 lamps begin with lamp closet to side lens. Insert lamp into doghouse corner and insert into socket. Swing T8 lamp into opposite side socket and twist to engage. Repeat this operation with second and third lamps (if needed).

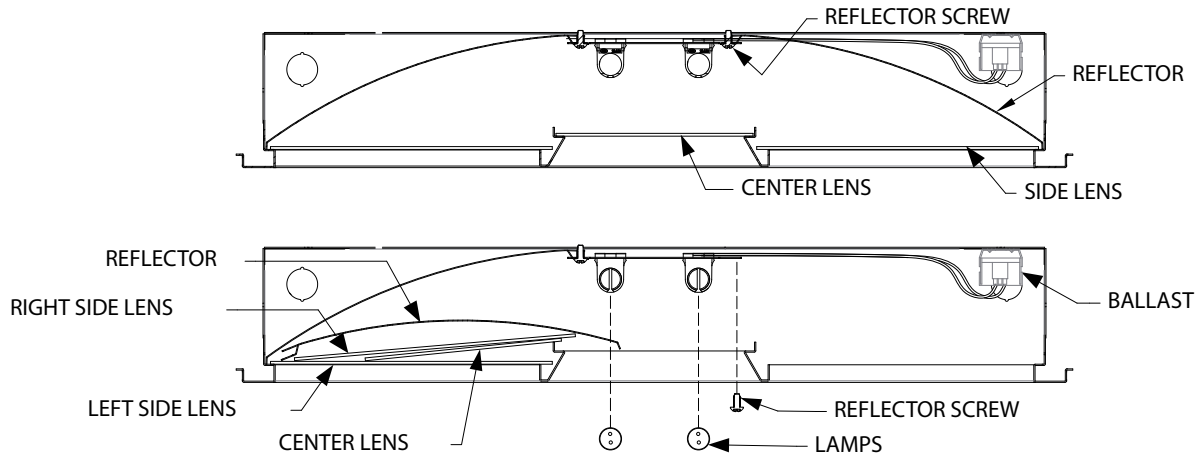
FOR T5 RE-LAMPING:

2b) Begin with lamp closet to side lens. Rotate T5 lamp to unsecure from sockets and remove from fixture.

3b) Slide lamp T5 contact into sockets at both ends of fixture and rotate lamp to secure in sockets.

4) Reinstall center lens with shiny side down and lay on the center rails so that it is flush to the lens frame.

Easy Ballast Maintenance of Luminous HE 282 and 284 fixture



1) Move side and center Lens to opposite side; remove Lamps

2) Remove reflector by unscrewing the center screw

3) Place reflector on to the opposite side for access to the ballast

4) Replace ballast

4) Screw reflector back into place

5) Snap side lens into place, until lens lays flush to frame

6) Locate Center Lens in Frame.

*Repeat steps for adjacent side ballast if required