

Installation Instructions – Define GYP/FSR 121

⚠ WARNING

RISK OF ELECTRIC SHOCK—Disconnect power at fuse or circuit breaker before installing or servicing.

⚠ WARNING

Risk of fire/electric shock. If not qualified, consult an electrician.

⚠ WARNING

Risk of fire or electric shock. Luminaire's wiring, ballasts, or other electrical parts may be damaged when drilling for installation of reflector kit hardware. Check for enclosed wiring and components.

⚠ WARNING

The weight of the luminaire (ONLY) not to exceed 40 lbs.

NOTE: This product must be installed in accordance with the applicable installation code by a certified electrician familiar with the construction and operation of the product and hazards involved.

NOTE: Only those open holes indicated in the photographs and/or drawings may be made or altered as a result of kit installation. Do not leave any other open holes in an enclosure of wiring or electrical components.

NOTE: To prevent wiring damage or abrasion, do not expose wiring to edges of sheet metal or any sharp objects.

NOTE: Disconnect all power before proceeding.

Installation Instructions

Define Series (1" Housing Size)

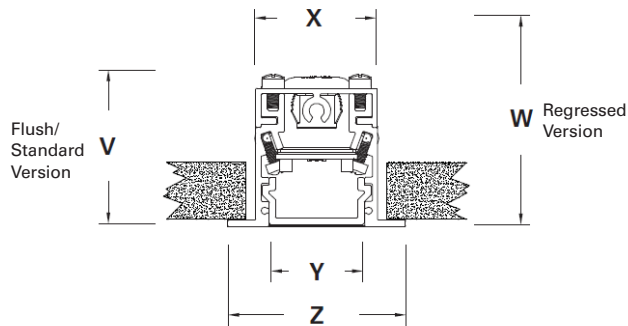
Individual and Continuous Luminaires
For Installation in Gypsum Ceilings

Warning: Before starting any work, ensure that all power sources are turned off. All work must meet local/national electrical codes and be preformed by a certified electrician.

Parts List

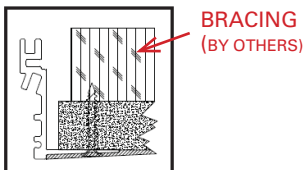
- Fixture with Attached Remote Driver Enclosure
- Grid Bracket/Joiner (pre-installed in fixture)
- Access Plate (pre-installed in remote enclosure)
- Support Wire
- Shielded Cable (by others)
- Push-in Quick Connect
- Alignment Pins (pre-installed in fixture) (Continuous runs only)
- #8-32 2-1/2" Bolts and Nuts (Continuous runs only)
- 9/64" Allen Wrench (by others)
- 11/32" Flexible Nut Driver (by others)

Cross Section and Grid Spacing Details

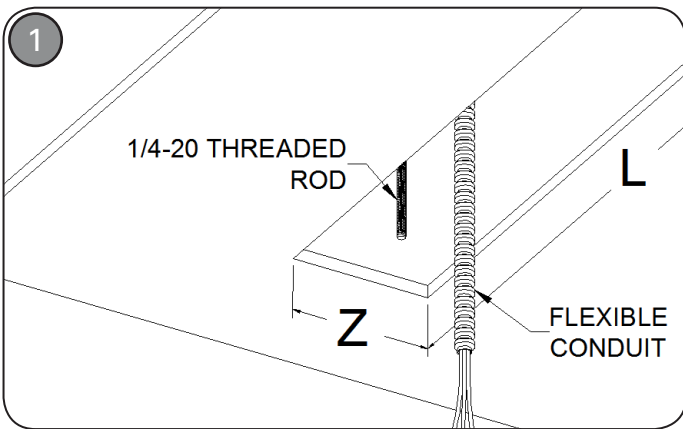


Define Cross Section Dimensions					
SR/FSR	V (Flush)	W (Regressed)	X	Y	Z
Define 1	1.734	2.705	1.500	1.180	1.750

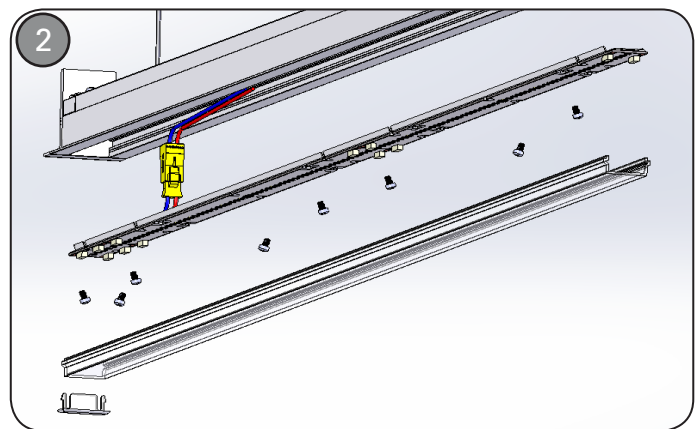
Mounting Information - Extruded Trim Flange Details - Refer to submittal drawings for detailed flange information



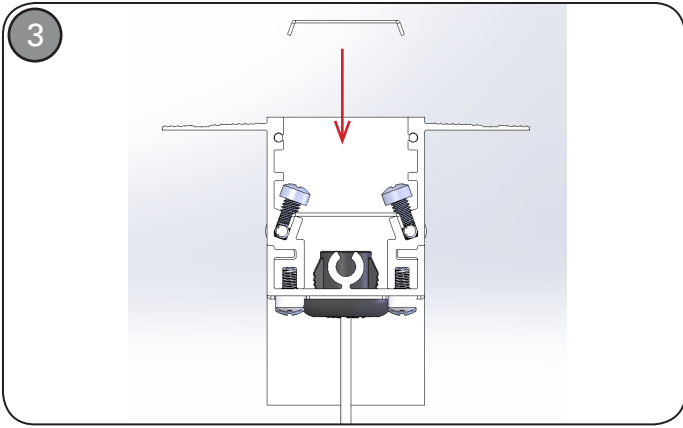
FSR
"Flangeless"
Gypsum Board



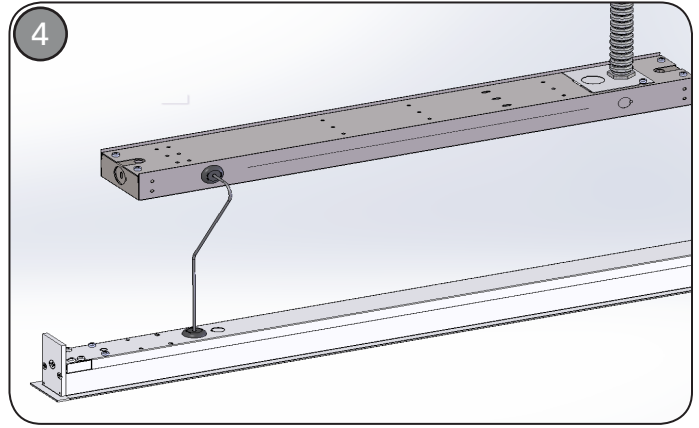
Install shielded cable to accommodate electrical feed point. Install 1/4-20 tie rods in specified locations as shown on factory submittal drawings. Cut hole in gypsum board (or other substrate) as specified on factory submittal drawing (dimensions "Z" & "L"). NOTE: FSR requires bracing around opening to secure flange.



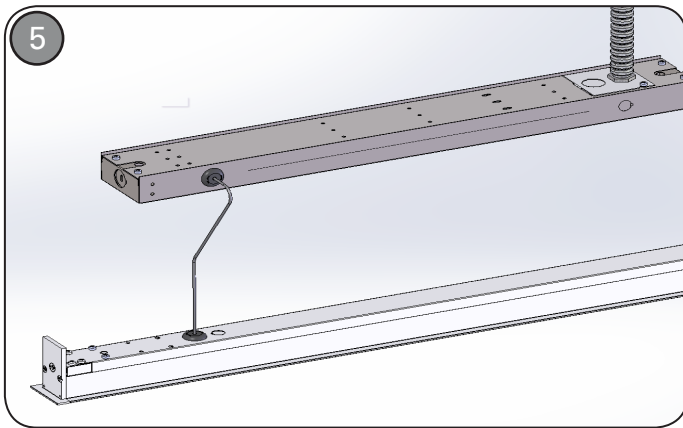
Prior to installing fixture, remove lens, top access plate, and diffuser bracket. Turn fixture over. Remove screws and carefully lift LED pan assembly from housing frame, disconnect low voltage connection and store pan assembly in a safe place.



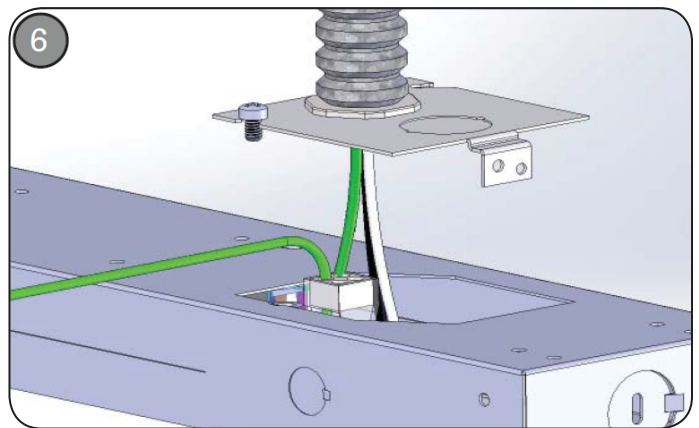
FOR FSR ONLY: Using (2) 8-32 screws from the LED pan assembly, install aperture guide snugly to ensure housing opening does not open or close during installation.



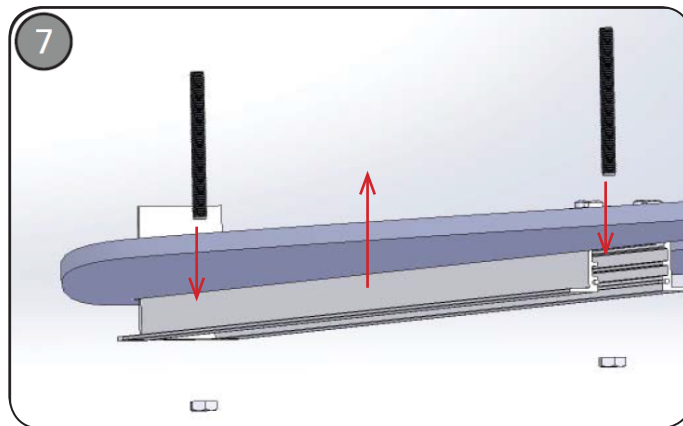
Locate remote driver in an accessible location. Either an access panel or other accessible location may be needed to service driver after final installation.



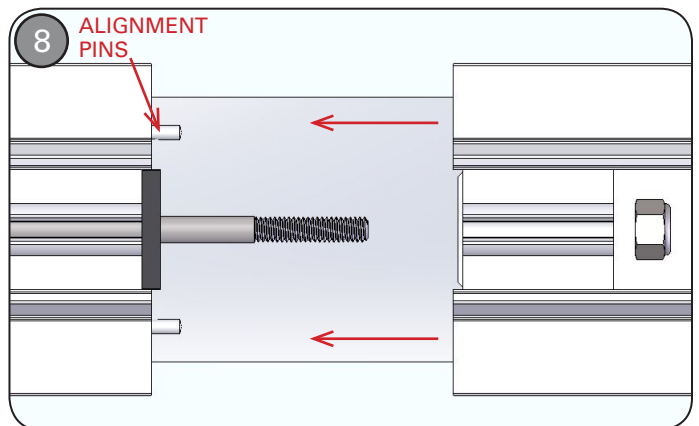
Each fixture length, Individual or Continuous, is supplied with a pre-wired remote driver enclosure. Enclosure can be dis-connected; ensure to mark enclosure and fixture if dis-connected. Remote enclosure is supplied with MAXIMUM length low voltage, plenum rated cable. Cable can be shortened if desired. DO NOT lengthen cable.



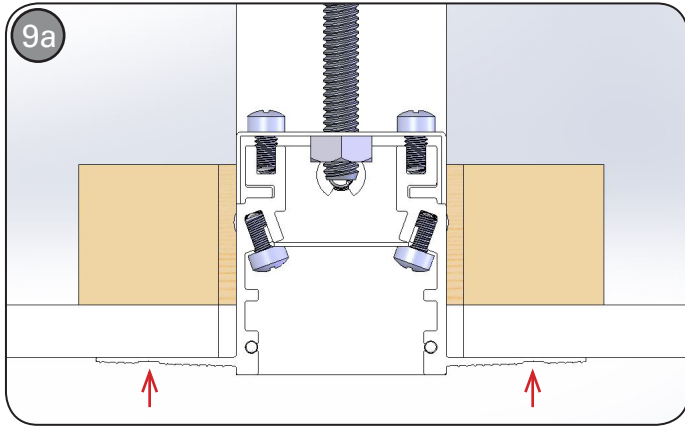
Bring power to remote enclosure. Remove access plate, make appropriate wire connections and re-secure access plate to remote enclosure.



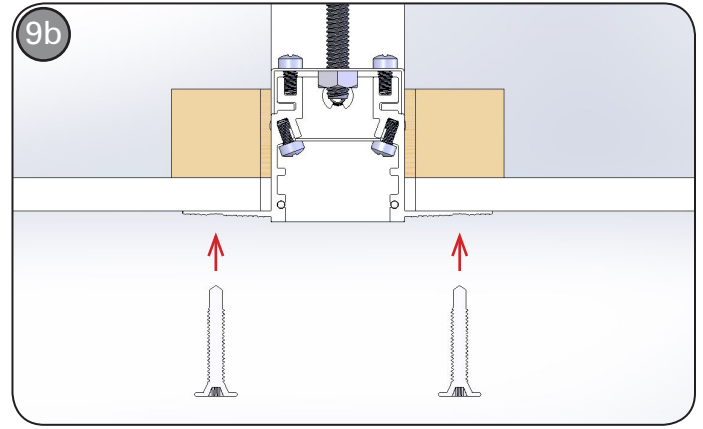
Draw fixture tight to ceiling using 1/4-20 tie rods through the appropriate knockouts on fixture housing. Secure with nuts until flange is snug. Refer to next page for detail. NOTE: FSR must be secured with tie-rod.



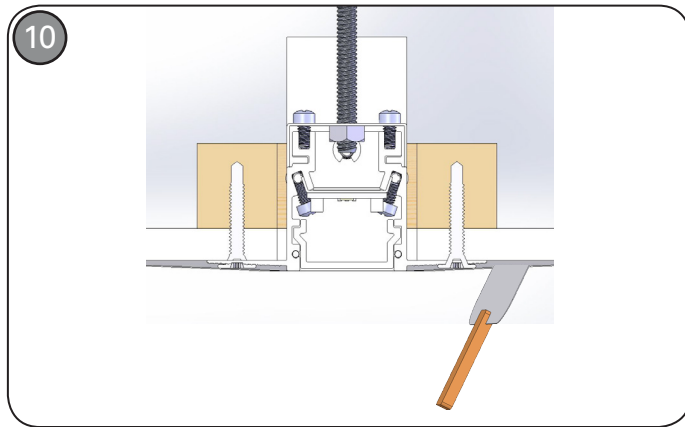
FOR CONTINUOUS ROWS: Repeat step 2 (and 3 for FSR) to prepare fixture. Slide fixtures together ensuring alignment pins are in the correct position. FOR CONTINUOUS RUNS: Insert #8-32 bolt through both fixtures. Using a 9/64" allen wrench and a 11/32" nut driver draw fixture housings together. Repeat until to complete entire fixture run.



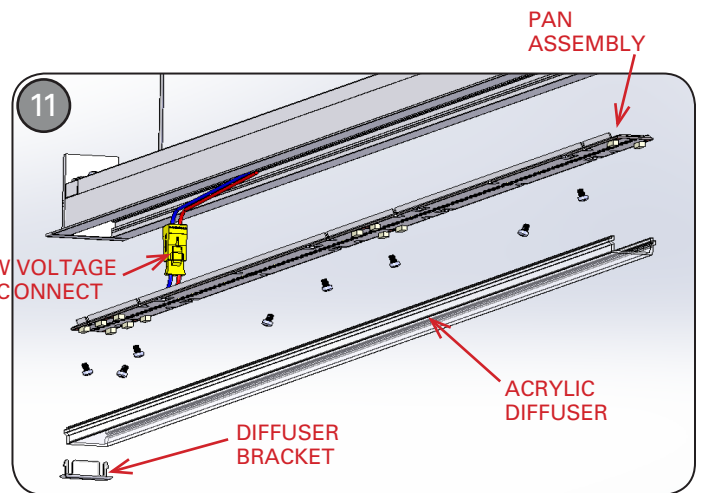
FOR FSR ONLY: Drill pilot holes along fixture(s) and through bracing at locations shown above.



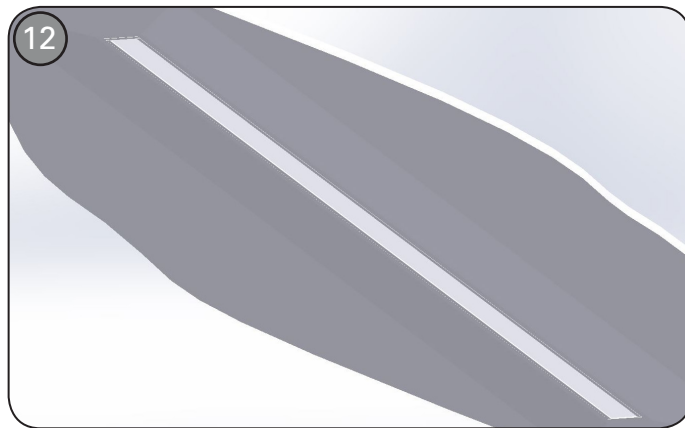
One screw every 2 feet per flange is recommended.



FOR FSR ONLY: Apply a generous amount of joint compound to fixture flange and "feather" at least 12" from fixture aperture. Ensure compound has properly cured before removing aperture bracket.



With fixture securely secured in opening, reconnect the low voltage disconnect from the driver to the LED pan assembly. Carefully tuck all wiring back into fixture. Reinstall screws to secure pan assembly back into housing. Reinstall acrylic diffuser and then diffuser bracket in fixture housing.



Installation completed. FSR flange shown.

Warranties and Limitation of Liability

Please refer to www.eaton.com/LightingWarrantyTerms for our terms and conditions.

Garanties et limitation de responsabilité

Veuillez consulter le site www.eaton.com/LightingWarrantyTerms pour obtenir les conditions générales.

Garantías y Limitación de Responsabilidad

Visite www.eaton.com/LightingWarrantyTerms para conocer nuestros términos y condiciones.

Eaton
1121 Highway 74 South
Peachtree City, GA 30269
P: 770-486-4800
www.eaton.com/lighting

Canada Sales
5925 McLaughlin Road
Mississauga, Ontario L5R 1B8
P: 905-501-3000
F: 905-501-3172

© 2016 Eaton
All Rights Reserved
Printed in USA
Imprimé aux États-Unis
Impreso en los EE. UU.
Publication No. TD518000EN
May 12, 2016

Eaton is a registered trademark.
All trademarks are property
of their respective owners.

Eaton est une marque de commerce
déposée. Toutes les autres marques
de commerce sont la propriété de leur
propriétaire respectif.

Eaton es una marca comercial
registrada. Todas las marcas
comerciales son propiedad de sus
respectivos propietarios.

Product availability, specifications,
and compliances are subject to
change without notice

La disponibilité du produit, les
spécifications et les conformités
peuvent être modifiées sans préavis

La disponibilidad de productos, las
especificaciones y los cumplimientos
están sujetos a cambio sin previo aviso