

Installation Instructions - Define Acoustic Suspended LED

WARNING

Risk of Fire, Electrical Shock, Cuts and or other casualty hazards. This product must be installed in accordance with the applicable installation code by a qualified electrician or a person familiar with the construction and operation of the product and the hazards involved. Cooper Lighting Solutions assumes no responsibility for claims brought about by improper or careless installation or handling of this product.

WARNING

Risk of Fire and Electric Shock. If not qualified, consult an electrician.

WARNING

All components must be used and installed as shown. Failure to do so may result in injury.

CAUTION

Edges May Cut. Handle with care.

CAUTION

Risk of Burn. Disconnect power and allow fixture to cool before handling fixture.

NOTICE: Green ground screw provided in proper location. Do not relocate.

NOTICE: Minimum 90° supply conductors.

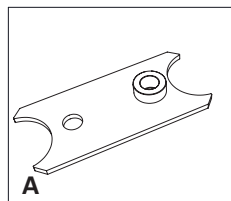
NOTE: Specifications and Dimensions subject to change without notice.

IMPORTANT: Read carefully before installing fixture. Retain for future reference.

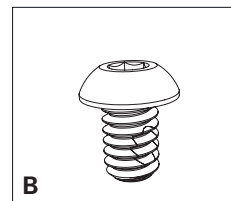
ATTENTION - Receiving department: Note actual fixture description of any shortage or noticeable damage on delivery receipt. File claim for common carrier (LTL) directly with carrier. Claims for concealed damage must be filed within 15 days of delivery. All damaged material, complete with original packing must be retained.

Recommended Equipment:

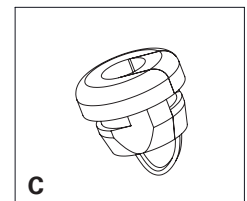
- 5/32 Allen Wrench
- Philips head screwdriver
- Gloves



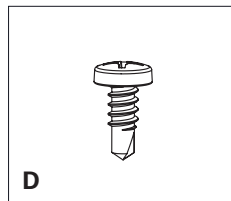
A
Joiner Plate



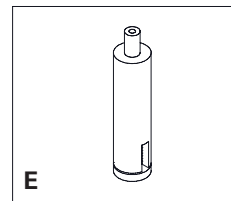
B
1/4-20 Cap Screw



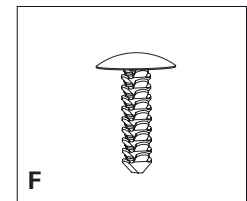
C
Strain Relief



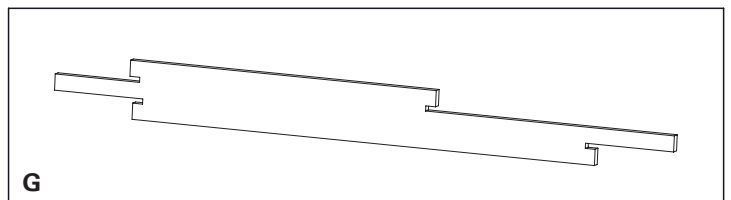
D
#10 Drilling Screw



E
Cable Adjuster

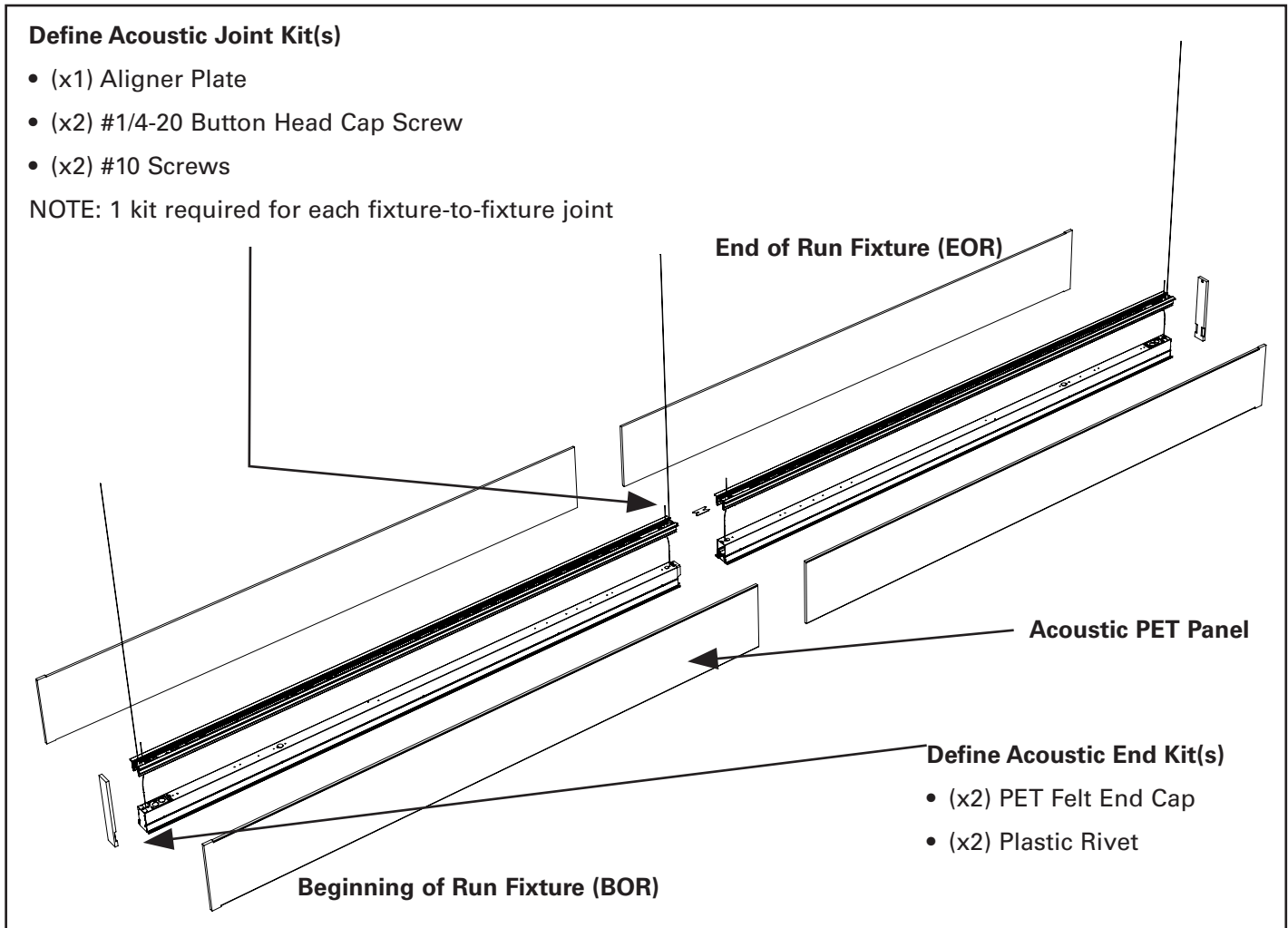


F
Plastic Rivet



G
Installation Tool

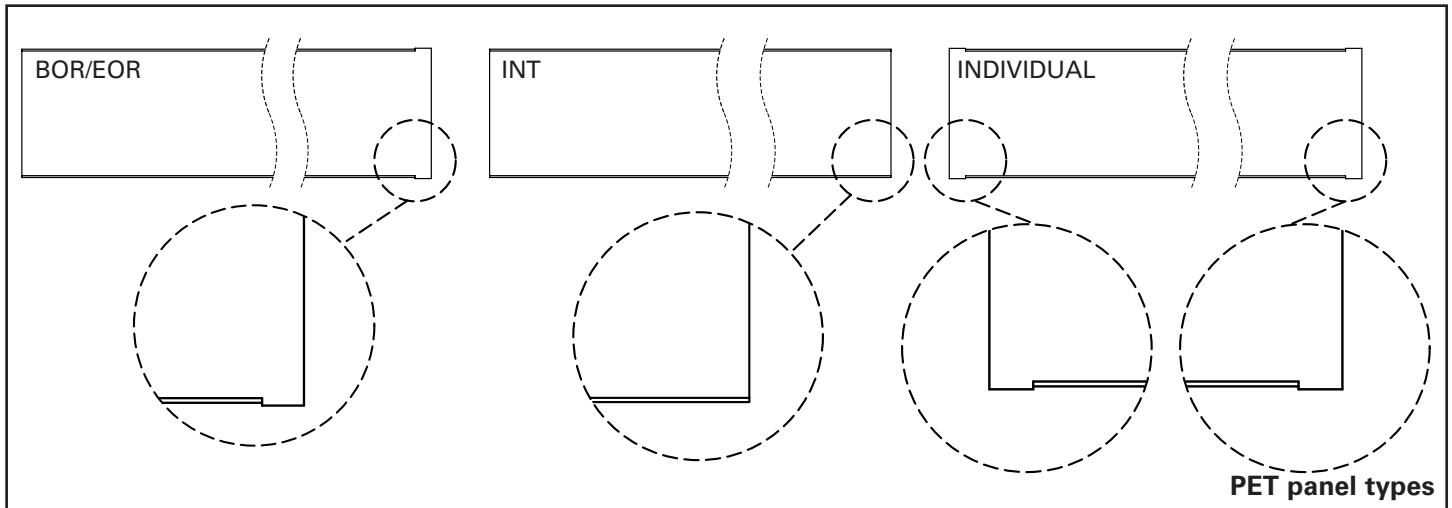
System Overview



To begin installation:

Locate the beginning of run (**BOR**) fixture. Intermediate and end of run fixtures are marked with **INT** and **EOR** labels respectively. Below are the PET panel types that accompany each fixture.

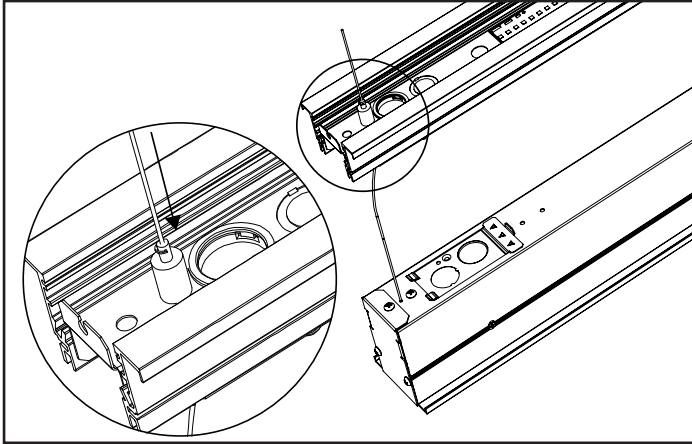
Unpackage the **BOR** fixture from the box setting aside the PET end cap for later in the installation.



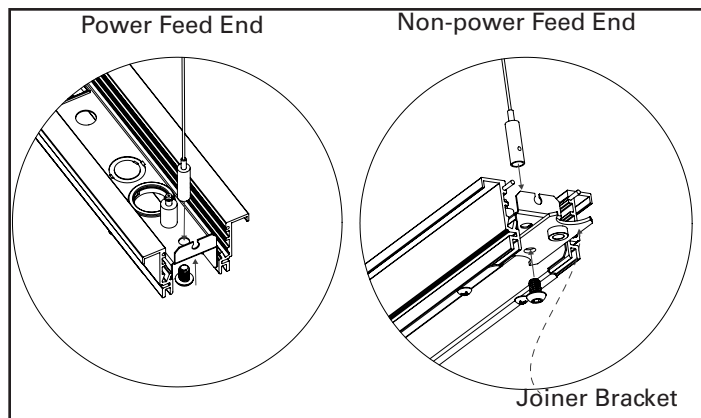
Installation Instructions - Define Acoustic Suspended LED

① Upper Assembly installation

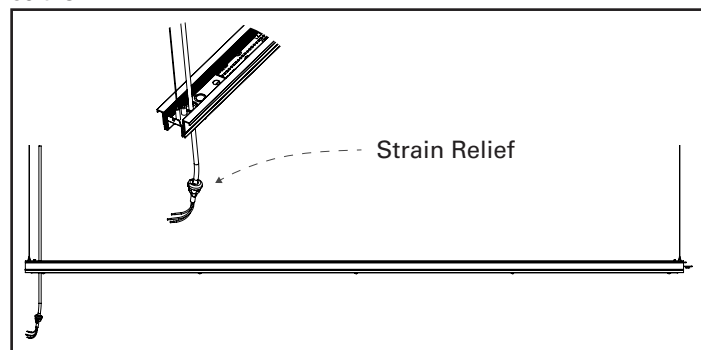
Disengage the reverse release Griplocks and pull the aircraft cables connecting the upper and lower assemblies out of the upper assembly to separate. Disconnect the low voltage connector between the two assemblies. These will be reinstalled later during the installation.



Using the hardware included in the installation Hardware package install Griplocks into the upright utilizing the 2 holes located closest to the ends of the upright tray. For the power drop side install the Griplock using the included 1/4-20 thread locker screw.



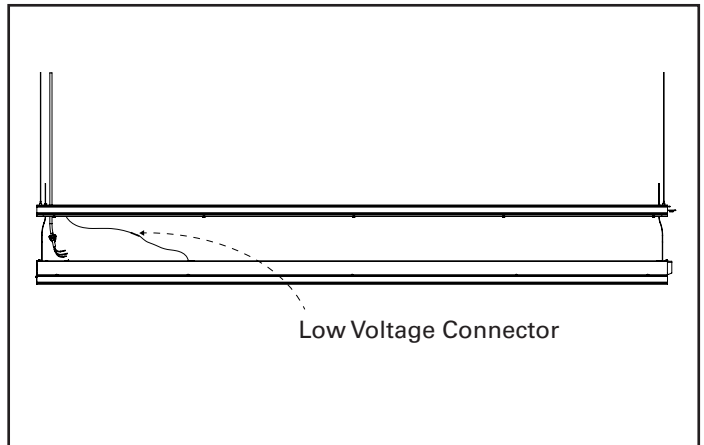
Hang the upper assembly of the BOR fixture and pass the SJ cable through the exposed hole in the fixture as shown. Place the provided strain relief on the SJ cable.



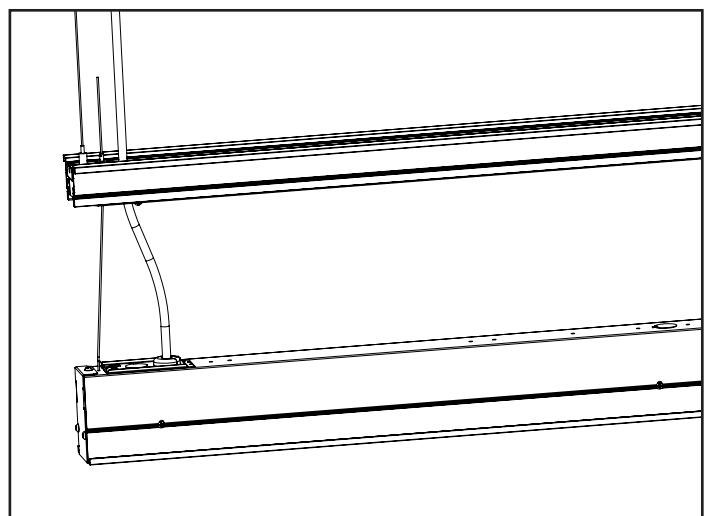
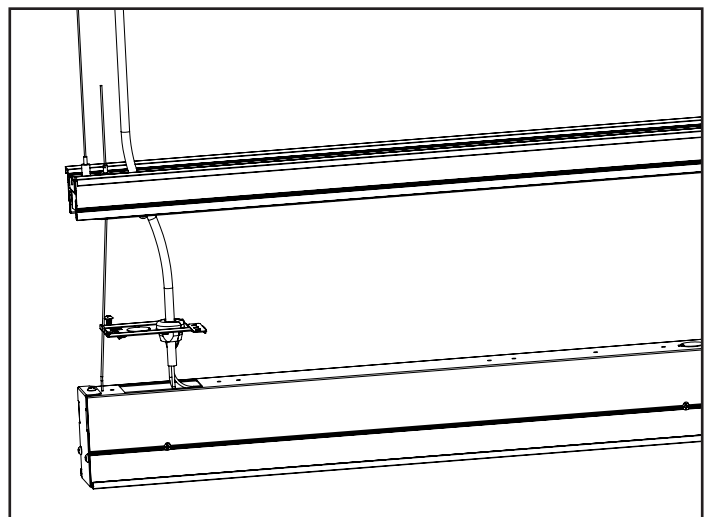
For installation at ceiling, see separate ceiling interface instructions.

② Lower Assembly Installation

Attach lower assembly of fixture using the aircraft cable and re-connect the low voltage connector between the upper and lower assemblies.



Remove #8-32 screw to release access plate and pass the SJ Cable with Strain relief into the hole in the access plate as shown. Make connections to corresponding wires in the fixture and replace access plate.



Installation Instructions - Define Acoustic Suspended LED

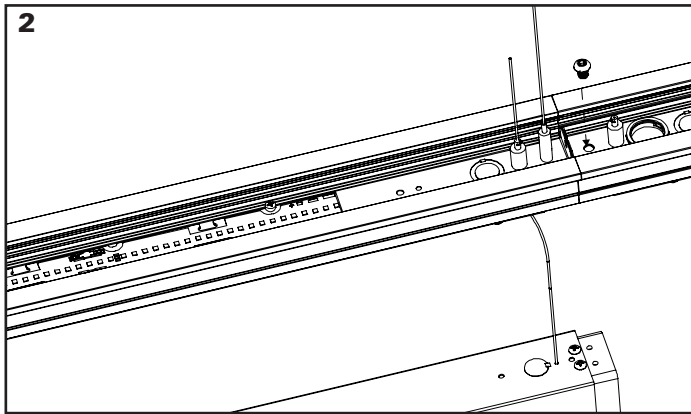
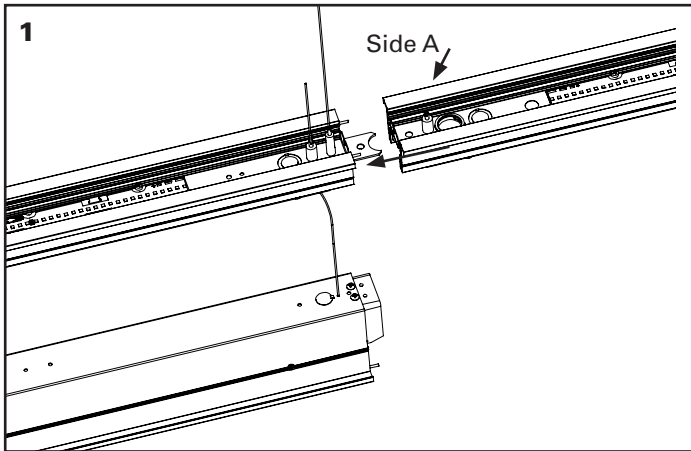
③ Joining

Unpack the INT or EOR fixture and separate the Upper and lower assemblies as described in step 1.

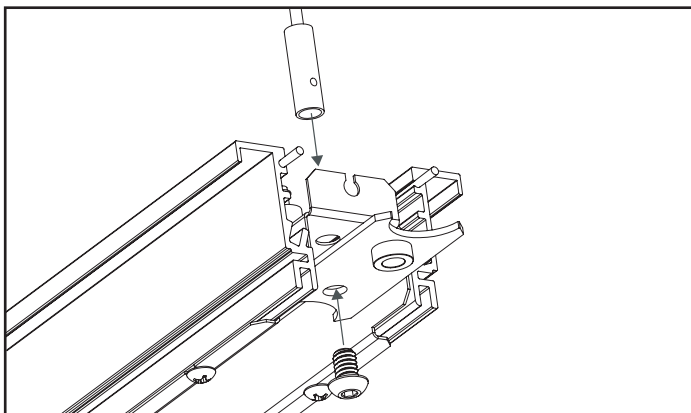
The upright tray has a large opening at one end. This shall be referred to as side A.

Rest side A on the protruding joiner bracket (as shown below) and support the other end of the fixture.

Secure the join with the provided #1/4-20 Button Head Cap Screw

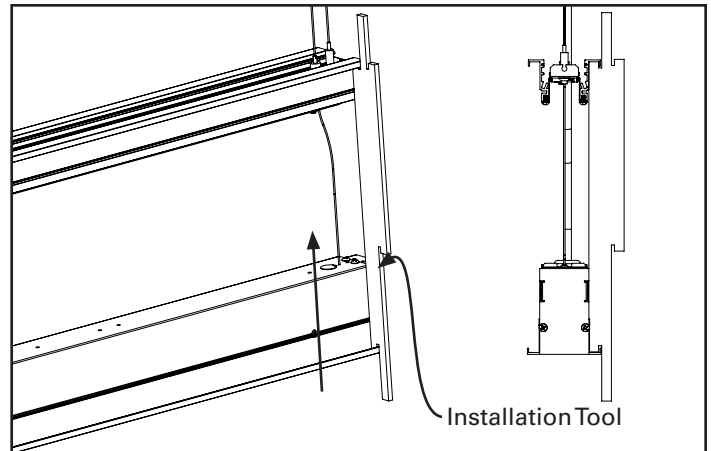


Install Griplock and Aircraft Cable on opposite end of the upright assembly and level the fixtures



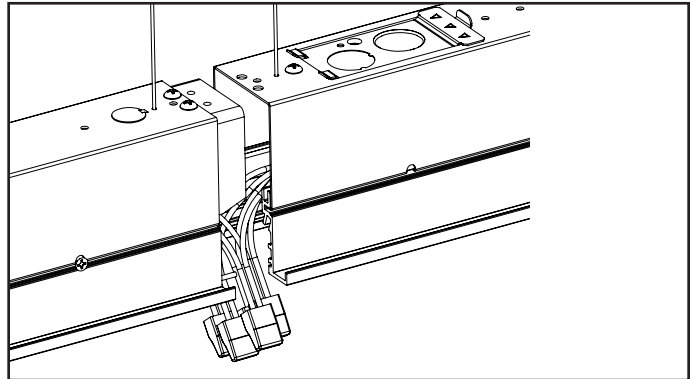
④ Joining the Lower Assembly

Set the height of the downlight assembly on the BOR fixture using the Installation Tool provided and tighten the aircraft cable to achieve the desired height.

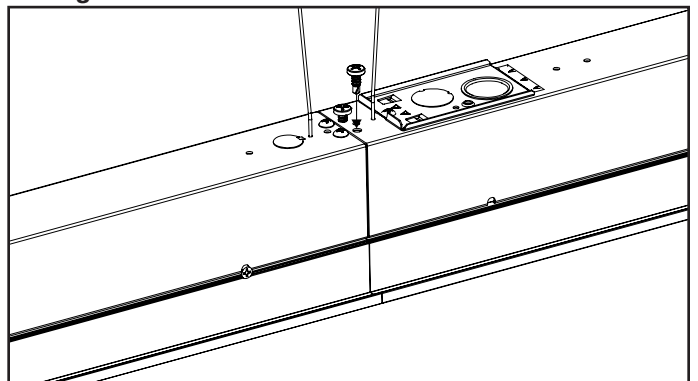


Attach the downlight using the pre-installed aircraft cables, raise into position until approximately level with the installed fixture.

Join the through wires using the provided connectors.



Tuck the connected through wires into the wiring compartment and push the fixtures together as shown below. Secure the fixtures using the provided #10 Drilling Screws as shown below

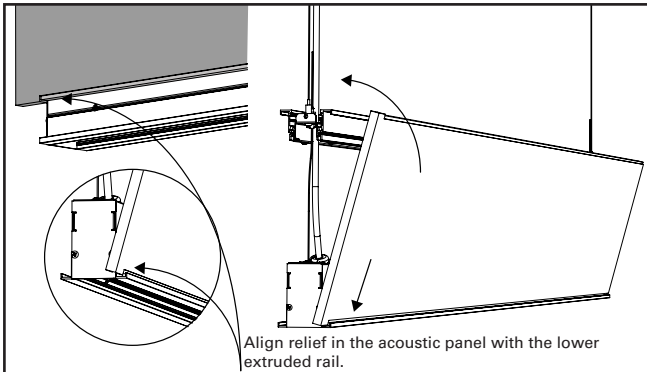


At this point fixture installation may be halted. This is the completion of the "light first" install. The light will function and operate as normal but will not have any acoustic properties. This is useful during new construction as the acoustic panels may collect dust and debris that can be difficult to remove

Installation Instructions - Define Acoustic Suspended LED

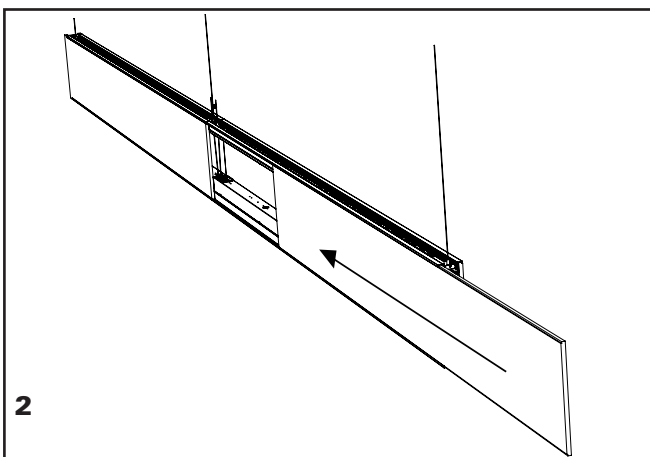
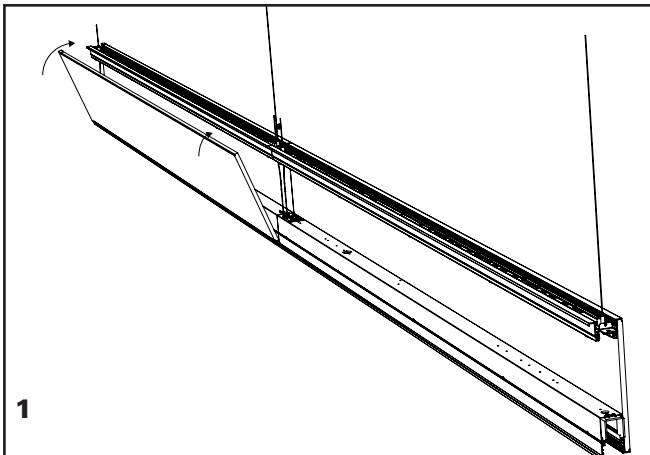
⑤ Acoustic Panels

Install a single acoustic panel into the downlight housing on the BOR or EOR fixture working your way from one end to another. Begin by aligning the relief in the acoustic panel with the lower extrusion rail. Ensure that the panel is installed along the entire length of the extrusion.



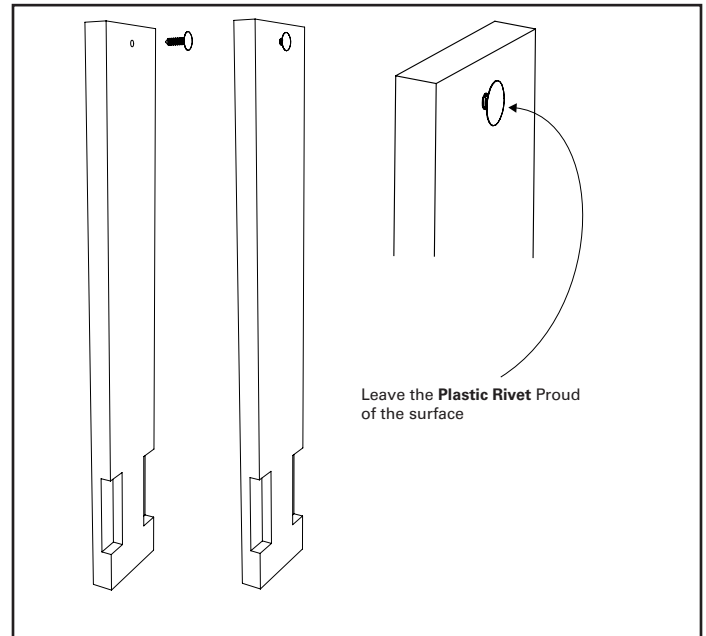
Complete the process by continuing along the length of the run.

Note: in installations with significant room on the end of the run it may be easier to slide the acoustic panel into the fixture on both the upright and downlight simultaneously (2).

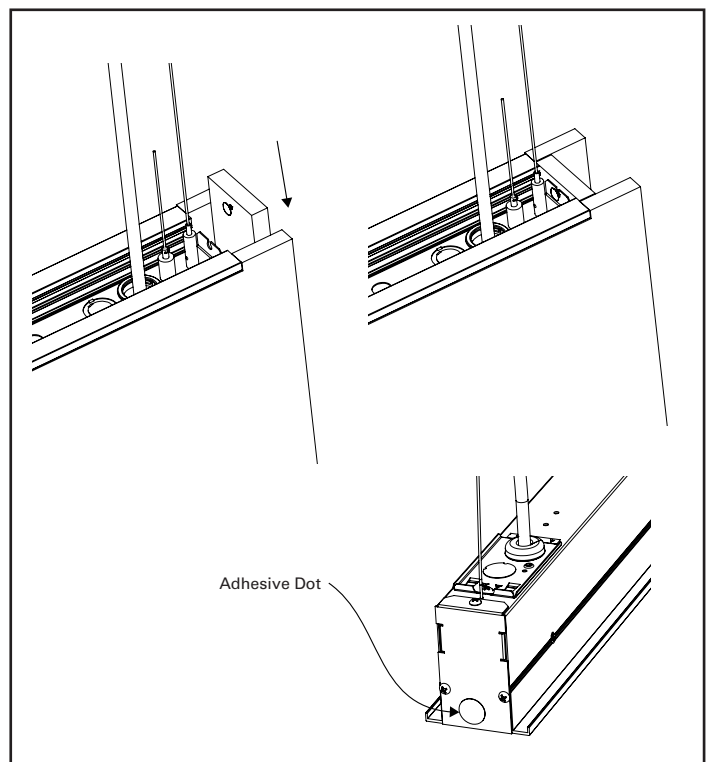


⑥ End Cap Installation

Install a Plastic Rivet into the end cap in the corresponding hole. Do not press the Plastic Rivet flush, leave it proud, with room for the end cap to be slipped onto the upright tray as shown below.



Install the end caps onto the fixture by first sliding the end caps downward onto the fixture, engaging the Plastic Rivet into the corresponding slot and then pressing the end cap flush with the adhesive dot installed on the fixture.



Warranties and Limitation of Liability

Please refer to www.cooperlighting.com/WarrantyTerms for our terms and conditions.

Garanties et limitation de responsabilité

Veillez consulter le site www.cooperlighting.com/WarrantyTerms pour obtenir les conditions générales.

Garantías y Limitación de Responsabilidad

Visite www.cooperlighting.com/WarrantyTerms para conocer nuestros términos y condiciones.

FCC Statement

• This device complies with Part 15 of the FCC Rules. Operation is subject to the following two conditions:

- (1) This device may not cause harmful interference.
- (2) This device must accept any interference received, including interference that may cause undesired operation.

Note: The grantee is not responsible for any changes or modifications not expressly approved by the party responsible for compliance. Such modifications could void the user's authority to operate the equipment.

Note: The equipment has been tested and found to comply with the limits for a **Class B** digital device, pursuant to part 15 of the FCC Rules.

These limits are designed to provide reasonable protection against harmful interference in a residential installation. This equipment generates uses and can radiate radio frequency energy and, if not installed and used in accordance with the instructions, may cause harmful interference to radio communications. However, there is no guarantee that interference will not occur in a particular installation. If this equipment does cause harmful interference to radio or television reception, which can be determined by turning the equipment off an on, the user is encouraged to try to correct the interference by one or more of the following measures:

- Reorient or relocate the receiving antenna.
- Increase the separation between the equipment and receiver.
- Connect the equipment into an outlet on a circuit different from that to which the receiver is connected.
- Consult the dealer or an experienced radio/TV technician for help.

This device complies with FCC radiation exposure limits set forth for an uncontrolled environment. This equipment must be installed and operated in accordance with provided instructions and the antenna(s) used for this transmitter must be installed to provide a separation distance of at least 20 cm from all persons.



Cooper Lighting Solutions
1121 Highway 74 South
Peachtree City, GA 30269
P: 770-486-4800
www.cooperlighting.com

Canada Sales
5925 McLaughlin Road
Mississauga, Ontario L5R 1B8
P: 905-501-3000
F: 905-501-3172

© 2020 Cooper Lighting Solutions
All Rights Reserved
Printed in USA
Publication No. IL525015EN
August 2020