



SWML3R LED IR Remote Multi Lumen Wall Wash
5 Lumen Levels (93L, 214L, 426L, 592L, 687L)

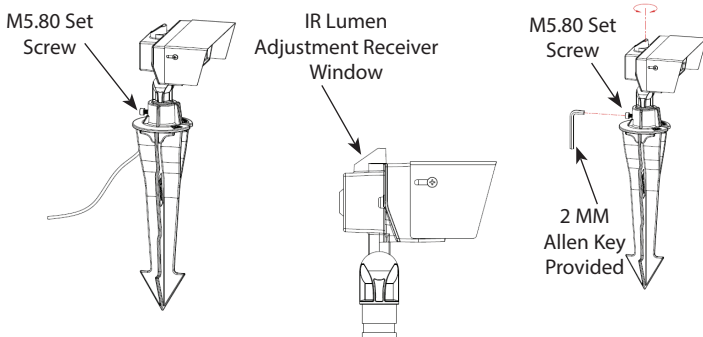
IMPORTANT SAFETY INSTRUCTIONS:

- Please read carefully before installing. Save these instructions.
- Consult with a qualified electrical contractor and local electrical codes before installing any electrical product.
- Clean fixture with mild soap. Do not use acid or any other solvent-based cleaner.
- Do not submerge fixture in water.
- All fixtures must be installed 10 feet (3.05m) away from a pool, spa, or fountain.
- Use fixture with low-voltage outdoor lighting system only.

DO NOT OVERLOAD LOW VOLTAGE CABLE or TRANSFORMER.

ASSEMBLY INSTRUCTIONS: Your fixture is ready to be connected using your preferred wiring method right out of the box.

LUMEN ADJUSTMENT: The SWML3R has five lumen setting options numbered 1, 2, 3, 4, 5, which are indicated on the handheld remote model #SBMLR, (2 pcs AAA batteries not included, two free lumen adjustment remote provided per case of six wall wash lights). Simply point the handheld remote at the IR receiver window at the back of the fixture and press the desired lumen level setting. The fixture will blink once for setting one, twice for setting two, three times for setting three and four times for setting four, and five times for setting five. Each lumen level is the equivalent of legacy halogen 10W, 20W, 35W, 50W, and 75W fixtures. See chart on page two for information on fixture performance. NOTE: Infrared IR Handheld Remote has a 120° beam angle throw and if several fixtures are near one another, beam spill could activate multiple fixtures. In this scenario, either aim away from the center of the fixtures to miss the neighboring fixtures, or get closer to the fixture IR receiver window, which reduces the IR beam spill. IR remote works best at between one and twenty feet from fixture. ALSO NOTE: A clear line of sight from the IR receiver window and remote is required for communication with fixture when setting lumen levels.

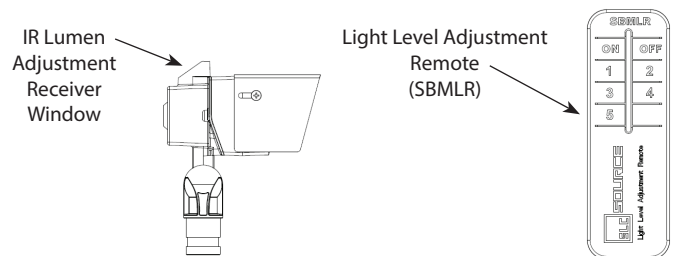


INSTALLATION/MOUNTING INSTRUCTIONS:

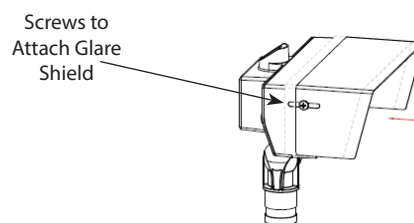
Note: We recommend, when installing any low-voltage fixture, that you have the following: Voltage Meter, Wire Nuts, Amp Probe, Basic Hand Tools for Adjustment.

INSTALLATION/MOUNTING & WIRING STEPS:

1. To prevent electrical shock, disconnect transformer from electrical supply before service.
2. Fixture is provided with Set-N-Stake® quick link composite with brass insert stake mount and 2mm allen key.
3. Place/set fixture in desired location. Place stake in pre-dug hole, compact/backfill soil leaving approximately 1" exposed above grade.
4. Run wire lead to the desired connection point with the main wire lead running to the transformer, keeping most of the excess wire at the fixture. Bury excess wire directly at the base of the fixture.
5. Cut wire lead as needed, while leaving enough extra wire to move fixture.
6. Connect fixture wire lead to main wire from the transformer using desired wire connection suitable for underground burial or wet location. Use underground low-energy cable.
7. Use allen key to adjust the knuckle of the fixture aiming at the center of the object you are illuminating.



8. Fixture is provided with optional glare shield. If required, simply use provided screws and attach to fixture.

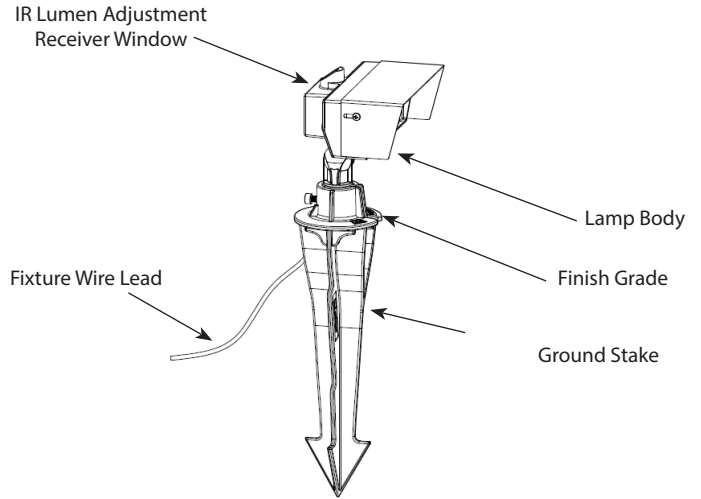


WARNING: INSTRUCTIONS PERTAINING TO A RISK OF FIRE, OR INJURY TO PERSONS:

- Lighted lamp is HOT. Lamp is hot when illuminated; do not touch when lamp is on.
- Turn off/unplug electrical power before modifying the lighting system.
- Allow fixture to cool before touching or replacing optics.
- Lamps get HOT quickly! Contact only switch/plug when turning on.
- Do not touch hot lens, guard, or enclosure.
- Keep away from potential flammable materials, structures, and/or landscapes.
- Do not operate fixture if cover, fitting, and/or shield is damaged or missing.

SERVICE INSTRUCTIONS:

To prevent electrical shock, disconnect transformer from electrical supply before service, allow luminaires to cool.



SWML3R - IR Lumen Level Controlled Wall Wash ELECTRICAL & PHOTOMETRIC TEST RESULTS VOLTAGE RANGE 12V - 15V AC/DC Actual Field Performance May Vary by +/- 5%								
Power Setting	Input Voltage	Current Input	Consumed Wattage	Power Factor	Volt Amp	Light Output Lumens	CCT	CRI
#1	12V AC/DC	.170A	1.5	0.8	1.875	93	2700°K	>80
#2	12V AC/DC	0.333	3	0.8	3.75	214	2700°K	>80
#3	12V AC/DC	0.66	6	0.8	7.5	426	2700°K	>80
#4	12V AC/DC	0.945	9	0.8	11.25	592	2700°K	>80
#5	12V AC/DC	1.113	11	0.8	13.75	687	2700°K	>80
SWML3R- IR Lumen Level Controlled Wall Wash								
NOTE: REQUIRES Model # SBMLR - IR Hand Held Remote to adjust lumen levels. 2 Included Per Case Of Six Pieces. Does Not Include 2- AAA Batteries Sold Separately.								