

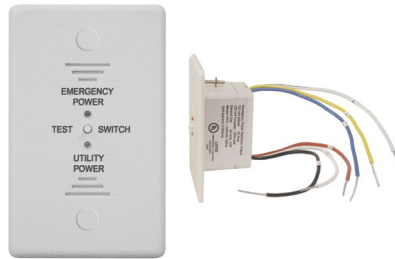
# CHLORIDE

by  Signify

## Exit/Emergency

MTD20 Series

Power Control



Project: \_\_\_\_\_  
Location: \_\_\_\_\_  
Cat.No: \_\_\_\_\_  
Type: \_\_\_\_\_  
Lamps: \_\_\_\_\_ Qty: \_\_\_\_\_  
Notes: \_\_\_\_\_

## Ordering Information

Catalog Number	Description
MTD20-UNV	Wall or Ceiling Mounted Emergency Power Control – 120 or 277 VAC

## Specifications

Catalog Number	Ballast Load	Amp Rating
MTD20	20Amp	20

## Codes and standards

- UL listed to standard 924 .
- NFPA 101 (Life Safety Code) .
- NFPA 70 (National Electric Code) .
- OSHA illumination standards .
- UL94-5VA Flame rating .

## Application

- MTD20-UNV Series power control modules are designed to allow locally switched lighting fixtures to be wired for emergency operation from a generator , inverter system , or secondary sources .
- Energy Conservation-Recent energy mandates require improved vigilance in the conservation of resources . By eliminating the need for nightlight circuits , MTD20-UNV power controls conserve energy by allowing all area ambient lighting to be turned off while still assuring the availability of emergency illumination in the event of a utility power failure .

## Construction

- The MTD20-UNV is slim with the recessed portion only 1 . 2" deep .
- Wall plate thickness is 1/4" .
- Weight : 12 ounces .

## Installation

- The MTD20-UNV is approved for in-wall or in-ceiling applications .
- Fast , easy installation in standard electrical boxes .
- The MTD20-UNV can be factory or field installed in the luminaire's ballast channel or mounted on top when using the supplied end cap .

## Electronics

- Model can be used for 120 or 277 VAC operation .
- During normal operation , LEDs on the MTD20-UNV module's faceplate indicate the presence of both utility (green) and emergency (red) power and the local switch will be capable of turning all circuit lighting fixtures on or off as required .
- During utility power failures , emergency lighting fixtures controlled by the MTD20-UNV module will illuminate regardless of local switch position .
- If , during normal operation , emergency backup power is lost , the MTD20-UNV module will automatically produce an audible alarm as an alert to this potentially hazardous condition .
- The MTD20-UNV power control automatically initiates a test of the emergency lighting fixtures whenever the local switch is turned off .
- Upon turning off the local switch , the designated emergency lighting fixtures will remain illuminated for an additional 5 seconds to assure system readiness .
- MTD20-UNV power controls may also be checked manually at anytime through the integral test switch provided on the module's faceplate .
- With the local lighting turned off and both utility and emergency power present , pressing the MTD20-UNV test switch will cause the controlled emergency fixtures to illuminate for 5 seconds
- Full 20 amp load capability .

## Warranty

- Five year warranty from date of purchase .

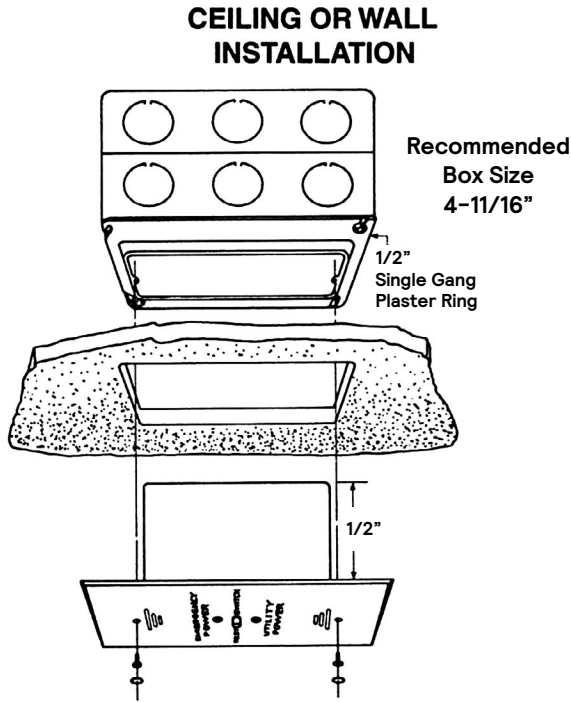
# MTD20-UNV Power control

120/277VAC

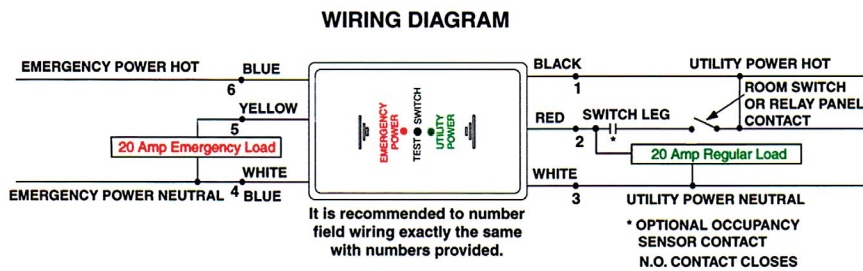
## Dimensions

Depth	Width	Height	Color	Weight
1.2"	1.7"	3"	White	12 oz.

## Mounting



## Wiring



**NOTE: Regular room lighting load does not affect HEPC current rating. Room switch is only used to control HEPC 50 milli amp relay current coils, and regular lighting load. Utility Power HOT connected to breaker and HEPC is only drawing milli amps to sense if normal power is available. See HEPC wiring diagram for clarification.**

