

# CHLORIDE

by 



## Exit/Emergency

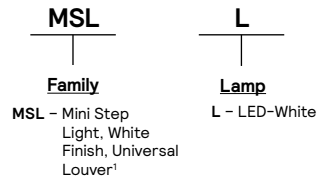
MSL series

LED mini step light

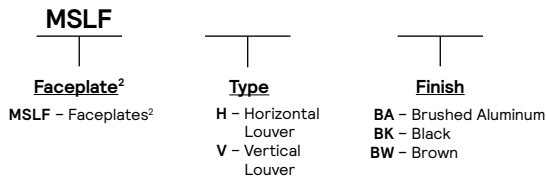


Project: \_\_\_\_\_  
Location: \_\_\_\_\_  
Cat.No: \_\_\_\_\_  
Type: \_\_\_\_\_  
Lamps: \_\_\_\_\_ Qty: \_\_\_\_\_  
Notes: \_\_\_\_\_

### Example: MSL



**accessory faceplates (these optional faceplates (if required) must be ordered in addition to the standard unit above.)<sup>2</sup>**



#### Footnotes:

- <sup>1</sup> Universal Louver includes both Horizontal and Vertical faceplate.
- <sup>2</sup> Each catalog number represents a carton of 6 faceplates. Carton quantity cannot be broken.

#### codes and standards

- UL Listed for damp locations .

#### construction

- One piece design to install in standard single gang switch box .
- Standard unit is white with a universal louver type faceplate .
- The vertical louver face plate comes attached to the electronics . If the horizontal louver face plate is needed just remove the vertical plate and install the horizontal face plate .
- Other finishes available : Brushed aluminum , black , or brown (see accessory faceplates) , these must be ordered in addition to the standard unit .
- The accessory faceplate are only available in sets of 6 .

#### installation

- Units designed to be installed in a standard single gang switch box .

#### electronics

- 120 VAC voltage input
- Power Consumption : Unit consumes less than 1 Watt per unit .

#### lamps

- LED's are available in white only .
- Total of 12 LED's .
- Color temperature 2700K .

#### warranty

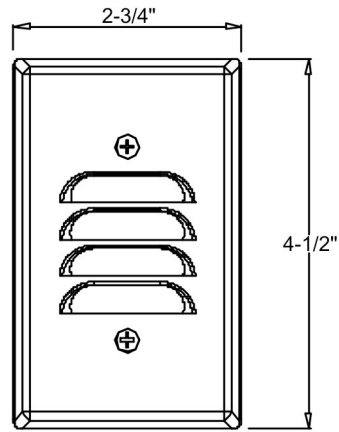
- Five year warranty on units . (Lamps not included .)



# MSL LED mini step light

## dimensions

Vertical Louver



Horizontal Louver

