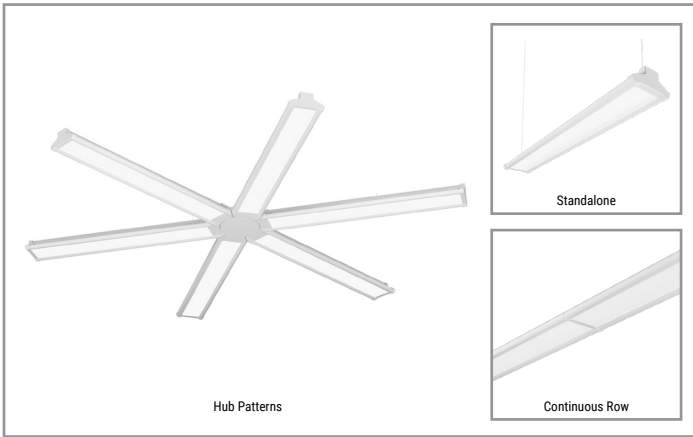


Project		Catalog #		Type	
Prepared by		Notes		Date	



Metalux

WSLA

Wavestream LED Linear Advanced Series

Typical Applications

Office • Education • Healthcare • Hospitality • Retail

Interactive Menu

- Order Information: Hub Patterns [page 2](#)
- Order Information: Straight Runs [page 3](#)
- Order Information: Build-Your-Own [page 4](#)
- Photometric Data [page 5](#)
- Connected Systems [page 9](#)
- Product Warranty

Product Certification



Product Features



Top Product Features

- Configurable linear system to create unique lighting patterns or continuous rows
- Robust extruded aluminum and steel housing
- Wavestream technology with Accu-Aim optics
- High efficiencies ranging up to 133 lumens per watt
- Integrated control options in fixture or centralized in hub

Options

Standalone, Continuous Runs, Pre-defined Patterns, or Build-Your-Own configurations



[additional product diagrams](#)

Hub Patterns

Straight Runs

Build-Your-Own

Order Information: Hub Patterns

SAMPLE HUB PATTERN ORDER NUMBER: **WSLA-HRSQR-8-200-SP-UPL15-UNV-L835-CD-WAA/1-EL14W/1-AC120**

Series	Pre-defined Pattern	Pattern Unit Length	Lumen Output	Application	Uplight	Voltage	Color Temperature
Series	Pre-defined Pattern ⁽¹⁾	Pattern Unit Length ⁽²⁾	Lumen Output (Lumens per foot)	Application ⁽³⁾	Uplight	Voltage	Color Temperature
WSLA=WaveStream Linear Advanced Series	Round Hub HR2=Round Hub, 2-way HRT=Round Hub, 3-way "T" HRV=Round Hub, 3-way "Y" HRX=Round Hub, 4-way "X" HRC=Round Hub, 4-way Cross HRSTR=Round Hub, 6-way Radial HRSQR=Round Hub, Square HRTRI=Round Hub, Triangle HRDIA=Round Hub, Diamond HRHEX=Round Hub, Hexagon Square Hub HS2=Square Hub, 2-way HST=Square Hub, 3-way "T" HSC=Square Hub, 4-way Cross HSSQR=Square Hub, Square	4=4 ft. Lengths 8=8 ft. Lengths	50=500 Lumens per foot 75=750 Lumens per foot 100=1000 Lumens per foot 125=1250 Lumens per foot 150=1500 Lumens per foot 175=1750 Lumens per foot 200=2000 Lumens per foot	SP=Suspended	[Blank]=Downlight Only UPL8=8% Uplight UPL15=15% Uplight	UNV=Universal (120V-277V) 347=347V ⁽⁴⁾	L830=80CRI, 3000K L835=80CRI, 3500K L840=80CRI, 4000K L850=80CRI, 5000K L930=90CRI, 3000K L935=90CRI, 3500K L940=90CRI, 4000K L950=90CRI, 5000K
	Notes (1) Hub Patterns not available as Surface Mount. See 'Build-Your-Own' ordering information for custom pattern options.	Notes (2) All fixtures within a hub pattern are of equal length.		Notes (3) Hub Patterns not available as Surface Mount.		Notes (4) Integral 347V driver with CD 0-10V option only. Factory supplied 347V remote transformer for all other driver options.	

Driver Type	Integrated Sensing Systems	Number of Sensors	Emergency Options	Number of Emergency Units	Suspension Type/Length
Driver Type	Integrated Sensing Systems	Number of Sensors ⁽⁵⁾	Emergency Options	Number of Emergency Units ⁽⁸⁾	Suspension Type/Length
CD=0-10V Dimming Driver (1%-100% Dimming) SLTD=Fifth Light DALI Driver (5%-100% Dimming) ^(E) LH=Lutron HiLume (LDE1 series) 1%-100% EcoSystem Driver with Soft-on Fade to Black dimming ^(F) SR=Sensor Ready Dimming Driver(1%-100%)	[Blank]=No Sensor WAA=WaveLinX Wireless Integrated Sensor ^(A) WAB=WaveLinX Lite Wireless Integrated Sensor ^(B) SVPD2=Analog Standalone Integrated Sensor ^(D)	[Blank]=No Sensor /1=1 sensor /2=2 sensors /3=3 sensors /#=# sensors	[Blank]=No emergency EL7W=7-watt, 120V-277V emergency battery pack installed ⁽⁶⁾ EL14W=14-watt 120V-277V emergency battery pack installed ⁽⁶⁾ RRU=Emergency Transfer Relay with dimming control ⁽⁷⁾	[Blank]=No EM /1=1 EM Unit /2=2 EM Units /3=3 EM Units /#=# EM Units	AC48=48" Adjustable Cable AC120=120" Adjustable Cable
Notes Integrated options must be used in conjunction with the associated system and may not be compatible with other options or accessories. Please refer to the following: (E) Consult Fifth Light system pages for additional details and compatibility. (F) Consult Marketplace Options - Lutron system pages for additional details and compatibility. Compatible only with driver series shown, and may require two or more drivers. Requires field commissioning to operate or dim. Contact Lutron at www.lutron.com.	Notes Integrated sensor options must be used with "CD" driver option. Must be used in conjunction with the associated system and may not be compatible with other options or accessories. Please refer to the following: (A) Consult WaveLinX system pages for additional details and compatibility. (B) WaveLinX Lite devices are not currently compatible with the WaveLinX Wireless Area Controller. Consult WaveLinX Lite system pages for additional details and compatibility. (D) Consult SVPD series system pages for additional details and compatibility.	Notes (5) Sensor located in hub component. Number of sensors cannot exceed number of hubs in pattern.	Notes (6) With integral test switch/indicator/laser test. Test switch located in hub. For approximate delivered lumens multiply the lumens per watt of the desired fixture by the wattage of the emergency battery pack (100 lm/W x 7=700 lumens). (7) RRU used to bypass local control during outage. Must be used in conjunction with UL 1008 device (provided by others).	Notes (8) EM test switch located in hub component. Number of emergency units cannot exceed number of hubs in pattern.	

Hub Patterns

Straight Runs

Build-Your-Own

Order Information: Straight Runs

SAMPLE CONTINUOUS ROW ORDER NUMBER: **WSLA-200-SP-UPL15-UNV-L835-CD-WAA/1-EL14W/1-CCA120-24FT**

Series	Lumen Output	Application	Uplight	Voltage	Color Temperature
Series	Lumen Output (Lumens per foot)	Application	Uplight	Voltage	Color Temperature
WSLA-Linear WaveStream Advanced Series	50=500 Lumens per foot 75=750 Lumens per foot 100=1000 Lumens per foot 125=1250 Lumens per foot 150=1500 Lumens per foot 175=1750 Lumens per foot 200=2000 Lumens per foot	SR=Surface ⁽¹⁾ SP=Suspended	[Blank]=Downlight Only UPL8=8% Uplight UPL15=15% Uplight	UNV=Universal (120V-277V) 347=347V ⁽²⁾	L830=80CRI, 3000K L835=80CRI, 3500K L840=80CRI, 4000K L850=80CRI, 5000K L930=90CRI, 3000K L935=90CRI, 3500K L940=90CRI, 4000K L950=90CRI, 5000K
		Notes (1) Surface mount version includes additional side KO locations.		Notes (2) Integral 347V driver with CD 0-10V option only. Factory supplied 347V remote transformer for all other driver options.	

Driver Type	Integrated Sensing Systems	Emergency Options	Number of Emergency Units
Driver Type	Integrated Sensing Systems	Emergency Options	Number of Emergency Units
CD=0-10V Dimming Driver (1%-100% Dimming) SLTD=Fifth Light DALI Driver (5%-100% Dimming) ^(E) LH=Lutron HiLume (LDE1 series) 1%-100% EcoSystem Driver with Soft-on Fade to Black dimming ^(F) SR=Sensor Ready Dimming Driver (1%-100%)	[Blank]=No Sensor WAA=WaveLinX Wireless Integrated Sensor ^(A) WAB=WaveLinX Lite Wireless Integrated Sensor ^(B) SVPD2=Analog Standalone Integrated Sensor ^(D)	[Blank]=No emergency EL7W=7-watt, 120V-277V emergency battery pack installed ⁽³⁾ EL14W=14-watt 120V-277V emergency battery pack installed ⁽³⁾ RRU=Emergency Transfer Relay with dimming control ⁽⁴⁾	[Blank]=No Sensor /1=1 EM Unit ⁽⁵⁾ /2=2 EM Units ⁽⁵⁾ /3=3 EM Units ⁽⁵⁾ /#=# EM Units ⁽⁵⁾
Notes Integrated options must be used in conjunction with the associated system and may not be compatible with other options or accessories. Please refer to the following: (E) Consult Fifth Light system pages for additional details and compatibility. (F) Consult Marketplace Options - Lutron system pages for additional details and compatibility. Compatible only with driver series shown, and may require two or more drivers. Requires field commissioning to operate or dim. Contact Lutron at www.lutron.com.	Notes Integrated sensor options must be used with "CD" driver option. Must be used in conjunction with the associated system and may not be compatible with other options or accessories. Please refer to the following: (A) Consult WaveLinX system pages for additional details and compatibility. (B) WaveLinX Lite devices are not currently compatible with the WaveLinX Wireless Area Controller. Consult WaveLinX Lite system pages for additional details and compatibility. (D) Consult SVPD series system pages for additional details and compatibility.	Notes (3) With integral test switch/indicator/laser test. Test switch located in hub. For approximate delivered lumens multiply the lumens per watt of the desired fixture by the wattage of the emergency battery pack (100 lm/W x 7=700 lumens). (4) RRU used to bypass local control during outage. Must be used in conjunction with UL 1008 device (provided by others).	Notes (5) EM test switch located in either end cap or joiner. Number of emergency units cannot exceed number of units in continuous row.

Suspension Type	Row Length
Suspension Type	Row Length ⁽⁶⁾
[Blank]=Surface Mount AC48=48" Adjustable Cable AC120=120" Adjustable Cable	4FT=4 ft. 8FT=8 ft. XXFT=Specify Run Length
	Notes (6) Standard row configurations over 8' consist of 4' and 8' luminaires. See 'Standard Row Configurations' table on Page 5 for continuous row length breakdowns.

Hub Patterns

Straight Runs

Build-Your-Own

Order Information: Build-Your-Own (order fixtures, hubs, and mounting hardware separately)

SAMPLE ORDER NUMBER: 4WSLA-200-SP-HR1T-UPL15-UNV-L835-CD1-WAA-EL14W-PI2D-U

Series	Lumen Output	Application	Fixture Terminations	Uplight	Options	Color Temperature
4WSLA =4 ft. WaveStream Linear Advanced Series 8WSLA =8 ft. WaveStream Linear Advanced Series	50=500 Lumens per foot 75=750 Lumens per foot 100=1000 Lumens per foot 125=1250 Lumens per foot 150=1500 Lumens per foot 175=1750 Lumens per foot 200=2000 Lumens per foot	SR =Surface Mount SP =Suspended	S =For Standalone C =For Continuous Row For Hub Pattern ⁽²⁾ HR1T =Round Hub / Terminate HR1C =Round Hub / Continuous HR2T =Round Hub / Round Hub HS1T =Square Hub / Terminate HS1C =Square Hub / Continuous HS2T =Square Hub / Square Hub	[Blank] =Downlight Only UPL8 =8% Uplight UPL15 =15% Uplight	UNV =Universal (120V-277V) 347 =347V ⁽³⁾	L830 =80CRI, 3000K L835 =80CRI, 3500K L840 =80CRI, 4000K L850 =80CRI, 5000K L930 =90CRI, 3000K L935 =90CRI, 3500K L940 =90CRI, 4000K L950 =90CRI, 5000K
		Notes (1) Standalone version comes with two end caps. Continuous row version comes with one end cap and one row joiner. See page 8 for details on hub pattern termination versions. Hub Patterns not available as Surface Mount. (2) Hub Patterns not available as Surface Mount.		Notes (3) Integral 347V driver with CD 0-10V option only. Factory supplied 347V remote transformer for all other driver options.		

Driver Type	Number of Drivers	Integrated Sensing Systems	Emergency Options
CD =0-10V Dimming Driver (1%-100% Dimming) SLTD =Fifth Light DALI Driver (5%-100% Dimming) ^(E) LH =Lutron HiLume (LDE1 series) 1%-100% EcoSystem Driver with Soft-on Fade to Black dimming ^(F) SR =Sensor Ready Dimming Driver (1%-100%)	1=1 Driver 2=2 Drivers	[Blank] =No Sensor WAA =WaveLinX Wireless Integrated Sensor ^(A) WAB =WaveLinX Lite Wireless Integrated Sensor ^(B) SVPD2 =Analog Standalone Integrated Sensor ^(D)	[Blank] =No emergency EL7W =7-watt, 120V-277V emergency battery pack installed ⁽⁴⁾ EL14W =14-watt 120V-277V emergency battery pack installed ⁽⁴⁾ RRU =Emergency Transfer Relay with dimming control ⁽⁵⁾
Notes Integrated options must be used in conjunction with the associated system and may not be compatible with other options or accessories. Please refer to the following: (E) Consult Fifth Light system pages for additional details and compatibility. (F) Consult Marketplace Options - Lutron system pages for additional details and compatibility. Compatible only with driver series shown, and may require two or more drivers. Requires field commissioning to operate or dim. Contact Lutron at www.lutron.com.		Notes Integrated sensor options must be used with "CD" driver option. Must be used in conjunction with the associated system and may not be compatible with other options or accessories. Please refer to the following: (A) Consult WaveLinX system pages for additional details and compatibility. (B) WaveLinX Lite devices are not currently compatible with the WaveLinX Wireless Area Controller. Consult WaveLinX Lite system pages for additional details and compatibility. (D) Consult SVPD series system pages for additional details and compatibility.	
		Notes (4) With integral test switch/indicator/laser test. Test switch located on the side of fixture channel for straight runs, or in hub for hub pattern configurations. For approximate delivered lumens multiply the lumens per watt of the desired fixture by the wattage of the emergency battery pack (100 lm/W x 7-700 lumens). (5) RRU used to bypass local control during outage. Must be used in conjunction with UL 1008 device (provided by others).	

Wiring Options	Packaging	Accessories	Hub Accessories
[Blank] =None PI Harness Options ⁽⁶⁾ PI2D =PI4BLK-WG6PP-PI10V PI3D =PI3-2N-WG6PP-PI10V PI2 =PI2BLK-WG6PP PI3 =PI3-2N-WG6PP	U =Unit Pack	CLC-WSL-EXT-B =Channel Connector EndFeed-WSL-U =End Feed Conduit Connector GRP-SNF-U =Gripper Hanger ISHH-01 =Programming Remote for Integrated Sensor ISHH-02 =Personal Control Remote for Integrated Sensor AYC-Chain/Set=36" Chain Hanger SCF =Fixed Stem Set (Specify Length) SCS =Swivel Stem Set (Specify Length) CCA =Adjustable Cable Kit (Specify Length) CCF =Fixed Length Cable Kit (Specify Length) EYE CHAIN SET/3FT =Eye Bolt Chain (Use 1 set per fixture) A1B/Spacer-U =Spacer 1-1/2" to 2-1/2" from ceiling (Use 2 per fixture) TOGGLE =Single Toggle No. 2 (Specify Length) Y-TOGGLE =Y Toggle No. 2 (Specify Length) ATG-4-U =Tong Hanger Kit (one for 4 ft, two for 8 ft)	Hub Kits - Used in conjunction with WSLA luminaire WSLA-HUB-R4-U =WSLA Hub, round, up to 4-way connection WSLA-HUB-R6-U =WSLA Hub, round, up to 6-way connection WSLA-HUB-S4-U =WSLA Hub, square, up to 4-way connection WSLA-HUB-R4-XXX-YY-U =WSLA Hub, round, up to 4-way connection - See notes for optional features ⁽⁷⁾ WSLA-HUB-R6-XXX-YY-U =WSLA Hub, round, up to 6-way connection - See notes for optional features ⁽⁷⁾ WSLA-HUB-S4-XXX-YY-U =WSLA Hub, square, up to 4-way connection - See notes for optional features ⁽⁷⁾ WSLA Hub Suspension Kits HCA-48-NPF-U =Hub Suspension Kit, 48" Adj, Non-Power HCA-120-NPF-U =Hub Suspension Kit, 120" Adj, Non-Power HCA-48-PFSDIM-U =Hub Suspension Kit, 48" Adj, Straight Power Cord w/ Dimming HCA-120-PFSDIM-U =Hub Suspension Kit, 120" Adj, Straight Power Cord w/ Dimming
Notes (6) For more information on PI and CPI options, please refer to WSL FAQ Guide at www.cooperlighting.com		Notes (7) "XXX"=Specify integrated sensor as "WAA", "WAB", or "SVPD2". "YY"=Specify EM test switch provision as "TS". Test switch location only. Emergency component located in the fixture unit. 3A limit per sensor - see Max load information on page X. Integrated options must be used in conjunction with the associated system and may not be compatible with other options or accessories. Please refer to the following: (A) Consult WaveLinX system pages for additional details and compatibility. (B) WaveLinX Lite devices are not currently compatible with the WaveLinX Wireless Area Controller. Consult WaveLinX Lite system pages for additional details and compatibility. (D) Consult SVPD series system pages for additional details and compatibility.	

Product Specifications

Applications

- WSLA Linear has the ability to be either surface mounted or suspended and offers single, continuous row, or hub pattern configurations for installation flexibility

Construction

- Low profile design - 3" deep housing
- Housing combines both aluminum extruded frame and steel channel housing
- Available in nominal 4-ft and 8-ft sections
- Endcaps and joiner covers are securely attached with positive capture details and are easily removed without tools for installation and maintenance.
- Standard end cap adds 0.6" at each end
- Integrated sensor end cap adds 2.6" at each end
- Multiple suspension points are located in the channel which allow for aircraft cable, hanging chain and stem points
- Fixture is balanced to allow for minimal leveling
- Surface mounting can be achieved through either direct mount via channel or offset by easymount tong hanging accessories

Driver Access

- Drivers can be accessed from below while fixture is suspended or surface mounted by hinging light engine down

Hub

- Optional hub enables linear pattern configurations
- Available in 4-port with minimum 90° angles in either Square Hub or Round Hub, and 6-port with minimum 60° angles in Round Hub
- Two-piece injection molded polycarbonate design for ease of wiring and installation
- Removeable plugs for fixture integration
- Hub is suspended using 4-point yoke with adjustable aircraft cable gripper

Optic

- Precision formed optical assembly
- Positively retained high optical grade acrylic lenses
- WaveStream LED technology provides a directed optical distribution

Integrated Controls

- 0-10V dimming drivers to 1% standard
- WaveLinX wireless sensor compatible for standalone, controlled, connected, and IoT capability
- Integrated sensors provide occupancy, vacancy, and daylight response functionality
- DALI 2.0, Lutron, and step-dimming available

LED and Electrical

- LED's available in 3000K, 3500K, 4000K, or 5000K at 80 CRI minimum and 90 CRI minimum
- Color accuracy ≤ 3 -Step MacAdam ellipse (SDCM)
- TM21 life at 60,000 hours up to L93 and calculated L70 exceeds 335,000 hrs
- Drivers available in 120-277V and 347V
- PI plug-in wire harnesses are available for ease of wiring and installation. Provided as default for continuous row and hub patterns configurations

Emergency Battery Options

- Optional 120V-277V emergency battery pack available in 7W or 14W. Battery pack is integrated into luminaire
- 90-minute backup period for code compliance
- Test switch with laser pointer allows safe testing from floor. Test switch located on the side of fixture channel for straight runs, or in hub for hub pattern configurations.
- Patented EZ Key prevents accidental discharge during construction
- Emergency/generator transfer option available (see ordering information for details)

Finish

- Fixtures are 90% reflective, matte white enamel finish
- Injection molded endcap and joiner covers are color matched to the fixture paint finish. White finish standard
- Black finish available upon request

Compliance

- cULus listed for damp locations
- RoHS compliant
- Tested to IESNA LM-79 and LM-80
- Stated life tested to TM21 standards
- Qualifies as State of California Title 24 high efficacy luminaire
- DesignLights Consortium® Qualified and classified for DLC Standard and DLC Premium (refer to www.designlights.org)

Warranty

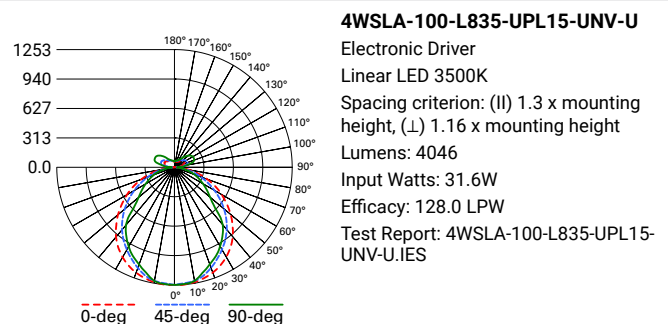
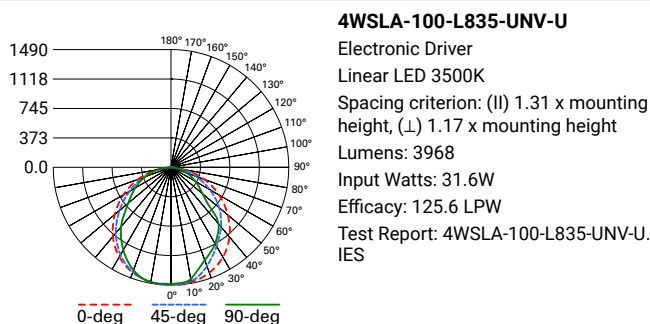
- Five year standard warranty. Extended ten year warranty available.

Standard Row Configurations

Fixture Length	4'	8'	12'	16'	20'	24'	28'	32'	36'	40'	44'	48'	52'	56'	60'	64'	68'	72'	76'	80'	84'	88'	92'	96'	100'	
4'	1		1		1		1		1		1		1		1		1		1		1		1		1	
8'	1	1	1	2	2	3	3	4	4	5	5	6	6	7	7	8	8	9	9	10	10	11	11	12	12	

Photometric Data

 [View IES files](#)



Energy and Performance Data

Series	Lumen Package	Lumens/ft Total	Lumens/ft Up	Lumens/ft Down	Input Watts /ft	Efficacy (lm/W)	Uplight%
WSLA	50	504	0	504	3.9	129	0%
	75	753	0	753	5.8	130	
	100	992	0	992	7.9	126	
	125	1250	0	1250	9.7	129	
	150	1487	0	1487	11.9	125	
	175	1724	0	1724	14.9	116	
	200	2004	0	2004	19.1	105	
WSLA w/ UPL8	50	515	66	448	3.9	132	13%
	75	769	99	670	5.8	133	
	100	1014	131	883	7.9	128	
	125	1278	165	1113	9.7	132	
	150	1520	196	1324	11.9	127	
	175	1762	227	1534	14.9	118	
	200	2048	264	1783	19.1	107	
WSLA w/ UPL15	50	514	91	423	3.9	132	18%
	75	767	135	632	5.8	132	
	100	1012	178	834	7.9	128	
	125	1275	224	1051	9.7	131	
	150	1516	267	1249	11.9	127	
	175	1758	309	1448	14.9	118	
	200	2043	360	1684	19.1	107	

Lumen Calculator

CCT Multiplier	80 CRI	90 CRI
3000K	0.98	0.81
3500K	1.00	0.83
4000K	1.02	0.85
5000K	1.04	0.86

Example Calculation:

WSLA-100-UPL15-L835/3500K/80 CRI
Lumen Output selected=1012 lms/ft

3500K / 90 CRI Desired

Lumen Adjustment Factor=0.83
Adjusted Lumen Output=1012 lms/ft x 0.83=842 lms/ft

Nominal Lumen Maintenance

TM-21 Lumen Maintenance (60,000 hours)	Theoretical L70 (hours) ⁽³⁾
> 93%	> 335,000

Notes: (3) Theoretical values represent estimations. Refer to LED Product Lifetime Prediction, IES PS-10-18, that explains proper use of IES TM-21 and LM-80.

Load Data

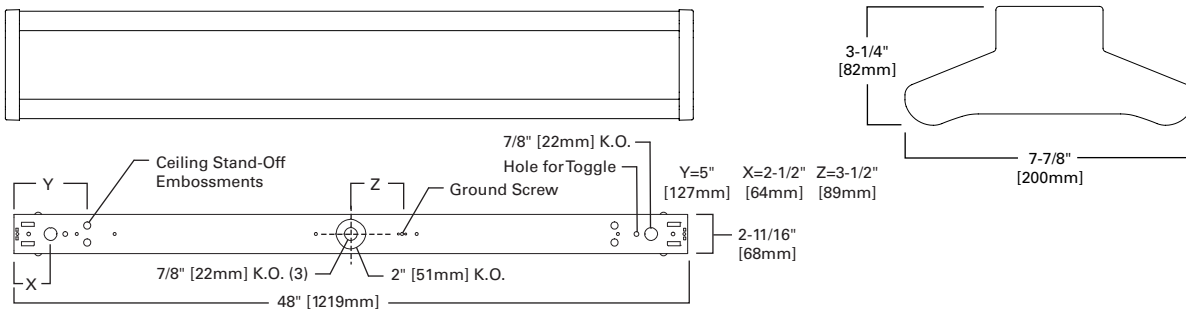
Thd	6%
Power Factor	0.99
Low Temp. Start	-20°C

Shipping Data

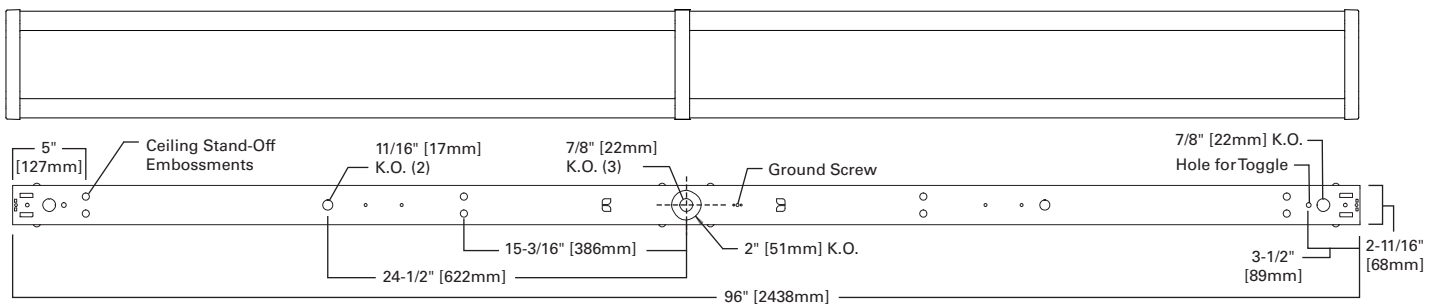
Lens Catalog No.	Weight (lbs)	Units per Pallet
4WSLA	12	30 (58"L x 40"W x 55"H)
8WSLA	24	30 (107"L x 40"W x 55"H)

Dimensional and Mounting Details

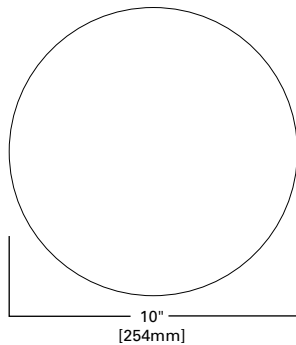
4'



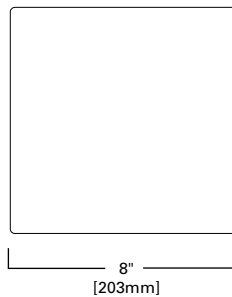
8'



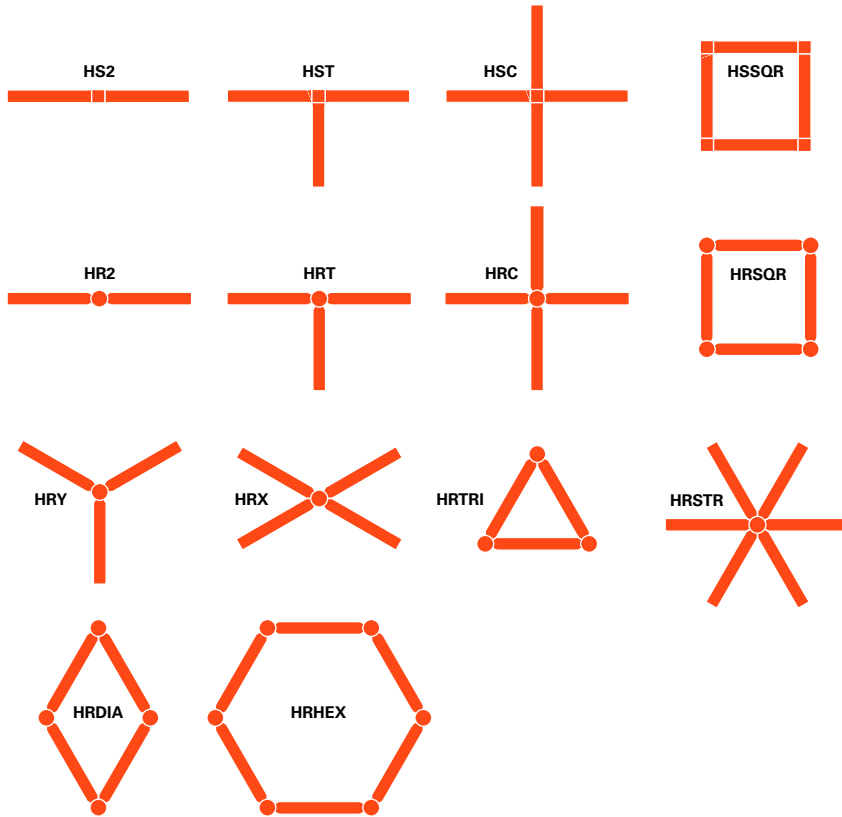
WSLA Round Hub



WSLA Square Hub



Pre-defined Patterns

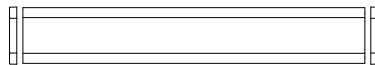


Note: Pre-defined patterns available in 4-foot or 8-foot length units.

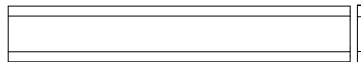
HR2-4	Round Hub – 2-way - 4FT
HRT-4	Round Hub – 3-way "T" - 4FT
HRTRI-4	Round Hub – Triangle - 4FT
HRDIA-4	Round Hub – Diamond - 4FT
HRHEX-4	Round Hub – Hexagon - 4FT
HRSTR-4	Round Hub – 6-way Radial - 4FT
HRX-4	Round Hub – 3-way "Y" - 4FT
HRY-4	Round Hub – 4-way "X" - 4FT
HRC-4	Round Hub – 4-way Cross - 4FT
HRSQR-4	Round Hub – Square - 4FT
HS2-4	Square Hub – 2-way - 4FT
HST-4	Square Hub – 3-way "T" - 4FT
HSC-4	Square Hub – 4-way Cross - 4FT
HSSQR-4	Square Hub – Square - 4FT
HR2-8	Round Hub – 2-way - 8FT
HRT-8	Round Hub – 3-way "T" - 8FT
HRY-8	Round Hub – Triangle - 8FT
HRX-8	Round Hub – Diamond - 8FT
HRC-8	Round Hub – Hexagon - 8FT
HRSQR-8	Round Hub – 6-way Radial - 8FT
HRTRI-8	Round Hub – 3-way "Y" - 8FT
HRDIA-8	Round Hub – 4-way "X" - 8FT
HRHEX-8	Round Hub – 4-way Cross - 8FT
HRSTR-8	Round Hub – Square - 8FT
HS2-8	Square Hub – 2-way - 8FT
HST-8	Square Hub – 3-way "T" - 8FT
HSC-8	Square Hub – 4-way Cross - 8FT
HSSQR-8	Square Hub – Square - 8FT

Fixture End Terminations

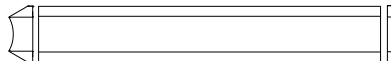
WSLA-S | Standalone
2x Endcap



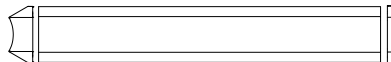
WSLA-C | Continuous Row
1x Joiner



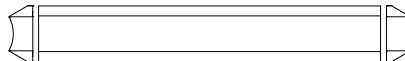
WSLA-HR1T | Round Hub/Terminate
Round hub fitting + 1x Endcap



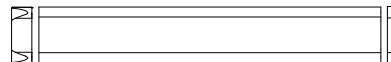
WSLA-HR1C | Round Hub/Continuous
1x Round hub fitting + 1x Joiner



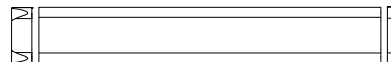
WSLA-HR2T | Round Hub/Round Hub
2x Round hub fittings



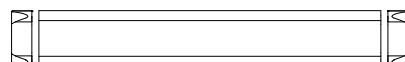
WSLA-HS1T | Square Hub/Terminate
1x Square hub fitting + 1x Endcap



WSLA-HS1C | Square Hub/Continuous
1x Square hub fitting + 1x Joiner



WSLA-HS2T | Square Hub/Square Hub
2x Square hub fittings



Control Systems

- WaveLinx Wireless
- WaveLinx Wired
- WaveLinx Lite



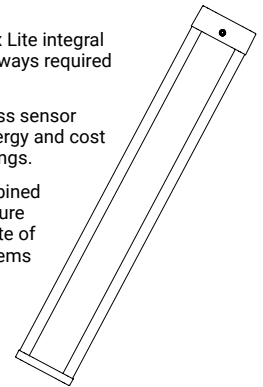
Connected Systems
[CLICK HERE](#)

The Metalux WSLA with Integrated Sensor technology provides automatic energy savings without sacrificing performance. The Metalux WSLA delivers superior lighting with integrated occupancy and daylighting controls.

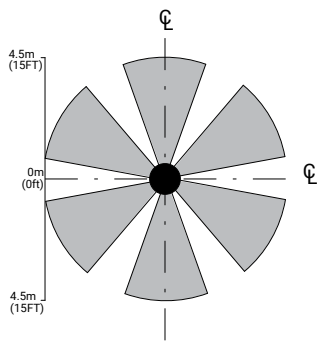
For standalone and controlled applications, the WaveLinx Lite integral sensor provides out-of-the-box functionality with no gateways required and factory startup is not needed.

When more connectivity is required, the WaveLinx Wireless sensor meets modern code and utility requirements, delivers energy and cost savings, while enabling buildings to become smart buildings.

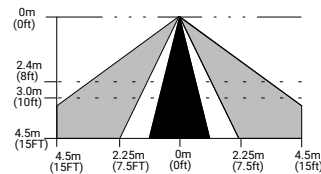
The WaveLinx Wireless Connected Lighting System combined with Trellix provides an open IoT platform and infrastructure that connects intelligent sensors leveraging the real-estate of the physical light fixture to solve higher complexity problems to deliver actionable insights through the aggregation of valuable data.



TOP VIEW:



SIDE VIEW:



Note: Installation of integrated sensors within 3-ft (1m) of HVAC air vents is not recommended. The pattern shown is intended solely as a general guide and is not to scale.

Integrated sensor in end cap



Integrated sensor in hub



Systems comparison chart

Cooper Lighting Solutions provides many lighting system solutions designed to satisfy code requirements and meet the unique needs of any project.



Standalone



Controlled
WaveLinx Lite



Connected
WaveLinx Wireless



Enterprise
Trellix

	Standalone	Controlled WaveLinx Lite	Connected WaveLinx Wireless	Enterprise Trellix
Occupancy	Yes	Yes	Yes	Yes
Daylighting	Yes	Yes	Yes	Yes
Gateways	-	-	1 WAC	300 WACs
Devices	-	50 per Area (1400 per site)	150 per WAC	45,000 per Core Enterprise
Software	-	WaveLinx Lite Mobile App	WaveLinx Mobile App	Trellix Core
Areas	-	28 per Site	16 per WAC	up to 4,800
Zones	-	16 per Area	16 per Area	up to 76,800
Scheduling	-	-	Local	Global
VividTune™	-	-	Yes	Yes
Plug-Load Control	-	-	Yes	Yes
Low-Voltage Power	-	-	Yes	Yes
Integration	-	-	-	BACnet, API
Dashboards	-	-	-	Energy, Occupancy
Configuration	-	Installer	Technician	Technician / IT

SCALABILITY

devices

areas

floors

buildings