

Project		Catalog #		Type	
Prepared by		Notes		Date	



Metalux

VT4S LED

2' Industrial
Vaportite LED Industrial

Typical Applications

Cold Storage • Canopy • Warehouse • Food Processing • Manufacturing
• Complex Environments

Interactive Menu

- Order Information [page 2](#)
- Photometric Data [page 3](#)
- Product Warranty

Product Certification



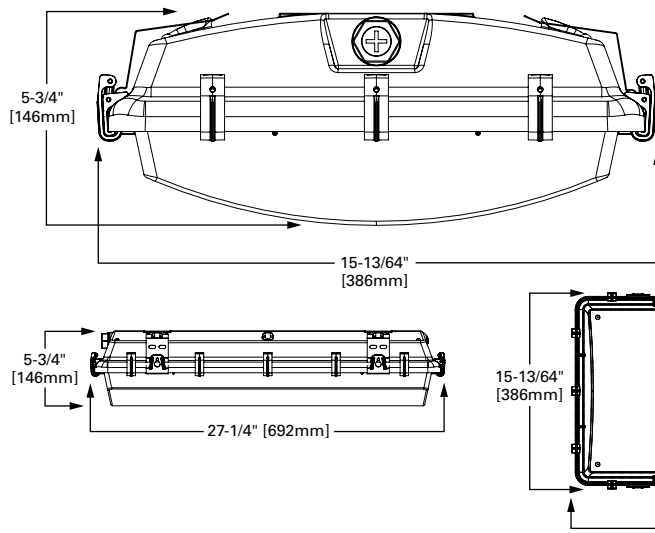
Product Features



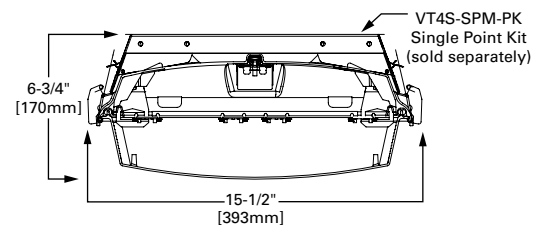
Top Product Features

- Compact and durable fiberglass reinforced polyester housing
- Clear or Frosted lens made from acrylic or high impact polycarbonate
- 2ft housing delivers up to 18,000 lumens
- Wet Location and rated up to IP69 and NEMA 4X
- High-Performance efficacy up to 157 lm/W
- Options to meet Buy American and other domestic preference requirements

Dimensional and Mounting Details



Installation Data



Order Information

SAMPLE ORDER NUMBER: **VT4S-18-DR-UNV-L850-CD2-WL-U**

Domestic Preferences	Series	LED Lumens Output	Lens	Voltage	CCT	Options Emergency
Domestic Preferences ⁽¹⁾	Series ⁽⁴⁾	LED Lumen Output	Lens	Voltage ⁽⁵⁾	CCT	Options Emergency
[Blank]=Standard BAA=Buy American Act TAA=Trade Agreements Act	VT4S=2' Vaportite VT4SP=Pendant Mount ^{(2),(3)}	9=9,000 Luamens 12=12,000 Lumens 15=15,000 Lumens 18=18,000 Lumens	DR=Clear Acrylic High Impact DRF=Frosted Acrylic High Impact PC=Clear Poly Carbonate PCF=Frosted Poly Carbonate	120V=120 Volt 277V=277 Volt 347V=347 Volt 480V=480 Volt UNV=Universal 120-277 Volt UNC=Universal 347-480 Volt	L835=3500K L840=4000K L850=5000K	EL10W=10-watt, 120-277V emergency battery pack installed (9,000 lumen fixture only) ⁽⁶⁾ VT-REM-EL10W=Remote Mounted, 10 Watt, 120-277V, Emergency Battery Pack ⁽⁷⁾
Notes (1) Only product configurations with these designated prefixes are built to be compliant with the Buy American Act of 1933 (BAA) or Trade Agreements Act of 1979 (TAA), respectively. Please refer to DOMESTIC PREFERENCES website for more information. Components shipped separately may be separately analyzed under domestic preference requirements.	Notes (2) Pendant mount option offers up to IP66 rating. (3) Rigid mount not for use in gymnasiums. (4) DesignLights Consortium® Qualified and classified for both DLC Standard and DLC Premium, refer to www.designlights.org for details.			Notes (5) When ordering MS option, specify as UNV (for 120 or 277V), 347 or 480V.		Notes (6) EL10W option is rated for 0C to 35C ambient. (7) Remote mount battery rated up to IP66.

Driver Type	Number of Drivers	Label	Options	Packaging	Accessories
Driver Type	Number of Drivers	Label	Options	Packaging	Accessories (order separately) ⁽¹²⁾
CD=0-10V Dimming Driver	1=1 Driver (9,000 lumens) 2=2 Drivers (12,000, 15,000 and 18,000 lumen)	WL=Wet Label	[Blank]=Plastic Latches and (2) End Watertite Hubs (all Watertite Hubs have 1/2" Conduit Entry) C3=3' Power Cord C6=6' Power Cord PC3=3' Power Cord & Plug (Specify Voltage) PC6=6' Power Cord & Plug (Specify Voltage) VRS=Vandal Resistant Screws for Latches MS=Damp listed Motion Sensor ⁽⁸⁾ SSL=Stainless Steel Latches MSWL20=Wet Location Motion Sensor ^{(9),(10)} MSWL40=Wet Location Motion Sensor ^{(9),(10)}	U=Unit Pack	VT4S-MBK-PK=Mounting Bracket Kit (2 per kit) VT4S-SPM-PK=Single Point Mounting Kit (1 per kit)
			Notes (8) When ordering MS option, specify as UNV (for 120 or 277V), 347 or 480V. (9) When ordering MSWL sensor, specify voltage (120V, 277V or 347V). (10) MSWL Sensor is rated up to IP65.		Notes (12) Accessories sold separately will be separately analyzed under domestic preference requirements. Consult factory for further information.

Product Specifications

Construction

- Rugged and durable construction
- Fiberglass housing with high impact diffuser and metal gear tray secured by internal latches for easy driver access
- Stainless steel latches option

Electrical

- Long-Life LED system coupled with electrical driver for optimal performance
- LED's available in 3500K, 4000K and 5000K with a CRI ≥ 80
- Projected life is 60,000 hours at 70% lumen output
- Electronic drivers are available for 120-277V, 347V and 480V applications

- 0-10V dimming control is available
- Operating temperature of -40°C to 40°C

Lens

- High-impact clear or frosted acrylic or 100% polycarbonate lens options

Mounting

- Surface, chain, cable or monopoint mounting
- Suspended mount using two stainless steel V-hooks
- Surface mount bracket or monopoint mounting hardware must be ordered separately

Warranty

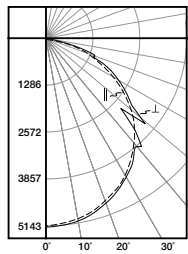
- Five-year limited warranty

Compliance

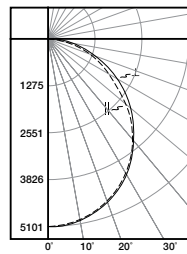
- UL/cUL listed for Wet location
- RoHS compliant
- LED modules comply with IESNA LM-79 and LM-80 standards
- IP65, IP66, IP67 and IP69 ratings
- NEMA 4X, up to 1500 PSI hosedown
- NSF certified
- DesignLights Consortium® Qualified and classified for both DLC Standard and DLC Premium (refer to [www.designlights.org](#) for details)

Photometric Data

 [View IES files](#)



VT4S-15-DR-UNV-L840-CD2-U
 Electronic Driver
 Linear LED 4000K
 Spacing criterion: (||) 1.27 x mounting height,
 (⊥) 1.28 x mounting height
 Lumens: 15098
 Input Watts: 108.3W
 Efficacy: 139.4 lm/W
 Test Report: VT4S-15-DR-UNV-L840-CD2-U.IES



VT4S-15-DRF-UNV-L840-CD2-U
 Electronic Driver
 Linear LED 4000K
 Spacing criterion: (||) 1.24 x mounting height,
 (⊥) 1.26 x mounting height
 Lumens: 14822
 Input Watts: 107.5W
 Efficacy: 137.9 lm/W
 Test Report: VT4S-15-DRF-UNV-L840-CD2-U.IES

Energy and Performance Data by Catalog Number

Catalog Number	Description	Delivered Lumens				Watts	Efficacy			
		Lensing					Lensing			
		DR	DRF	PC	PCF		DR	DRF	PC	PCF
VT4S-9-XX-UNV-L835-CD1	2ft, Vaportight, 9000 lumens UNV, 3500K	9286	9116	9224	8266	62	151	148	150	134
VT4S-9-XX-UNV-L840-CD1	2ft, Vaportight, 9000 lumens UNV, 4000K	9394	9222	9331	8362	62	153	150	152	136
VT4S-9-XX-UNV-L850-CD1	2ft, Vaportight, 9000 lumens UNV, 5000K	10146	9959	10077	9031	62	165	162	164	147
VT4S-12-XX-UNV-L835-CD2	2ft, Vaportight, 12000 lumens UNV, 3500K	12092	11870	12010	10763	84	144	141	143	128
VT4S-12-XX-UNV-L840-CD2	2ft, Vaportight, 12000 lumens UNV, 4000K	12232	12008	12149	10888	84	146	143	145	130
VT4S-12-XX-UNV-L850-CD2	2ft, Vaportight, 12000 lumens UNV, 5000K	13211	12968	13121	11759	84	157	155	156	140
VT4S-15-XX-UNV-L835-CD2	2ft, Vaportight, 15000 lumens UNV, 3500K	14925	14651	14824	13285	108	138	135	137	123
VT4S-15-XX-UNV-L840-CD2	2ft, Vaportight, 15000 lumens UNV, 4000K	15098	14821	14996	13439	108	139	137	138	124
VT4S-15-XX-UNV-L850-CD2	2ft, Vaportight, 15000 lumens UNV, 5000K	16306	16007	16196	14514	108	151	148	150	134
VT4S-18-XX-UNV-L835-CD2	2ft, Vaportight, 18000 lumens UNV, 3500K	17780	17454	17660	15826	138	129	127	128	115
VT4S-18-XX-UNV-L840-CD2	2ft, Vaportight, 18000 lumens UNV, 4000K	17986	17656	17864	16010	138	131	128	130	116
VT4S-18-XX-UNV-L850-CD2	2ft, Vaportight, 18000 lumens UNV, 5000K	19425	19068	19294	17290	138	141	139	140	126

Lumen Maintenance

Ambient Temperature	TM-21 Lumen Maintenance (60,000 hours)	Theoretical L70 (Hours)
25°C	> 91%	> 247,000

Energy Data

Input Watts:
VT4S-9=62W
VT4S-12=84W
VT4S-15=108W
VT4S-18=138W

Shipping Data

Catalog No.	Wt.
VT4S-9	12 lbs.
VT4S-12	12 lbs.
VT4S-15	12 lbs.
VT4S-18	12 lbs.