

| | | | | | |
|-------------|--|-----------|--|------|--|
| Project | | Catalog # | | Type | |
| Prepared by | | Notes | | Date | |



Metalux

SWLED

Surface and Wall LED

Typical Applications

Commercial • Industrial

Interactive Menu

- Order Information [page 2](#)
- Photometric Data [page 3](#)
- Control Solutions [page 5](#)
- Product Warranty

Product Certification



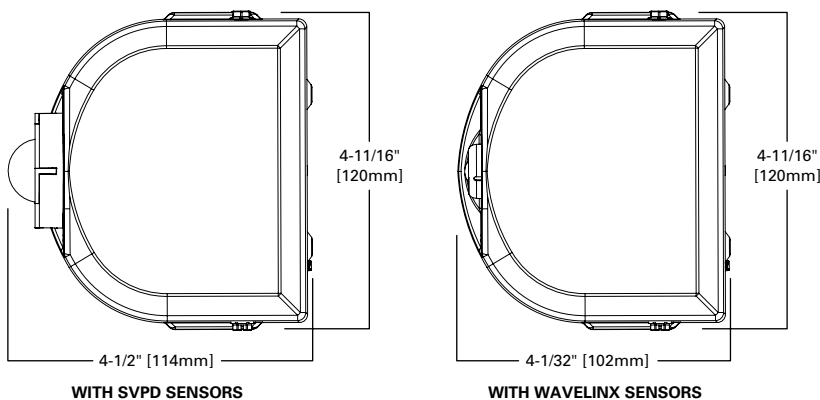
Product Features



Top Product Features

- Lumen packages up to 2000 lumens per foot for high mounting locations
- Excellent performance with lm/W, ranging up to 150 lm/W with LC lens
- 4ft. and 2ft. product configurations for mounting versatility
- Multiple sensor options for connected or control at multiple heights
- Standard 0-10V driver with optional DALI, 1% and step dimming options
- Options to meet Buy American and other domestic preference requirements

Dimensional and Mounting Details



[additional product diagrams](#)

Order Information

SAMPLE ORDER NUMBER: **4SWLED-40SL-LW-UNV-L840-CD1-SVPD2-U**

| Domestic Preferences | Length | Series | Lumen Output | Optic | Voltage | Emergency Options |
|---|----------------------------------|---|--|--|--|--|
| Domestic Preferences ⁽¹⁾ | Length | Series ⁽²⁾ | Lumen Output | Optic | Voltage | Emergency Options ^{(9), (10)} |
| [Blank] =Standard BAA =Buy American Act TAA =Trade Agreements Act | 2=2 ft. Length 4=4 ft. Length | SWLED =LED Surface and Wall | LED Lumens ⁽³⁾ 8SL =900 ⁽⁴⁾ 44HL =4400 16SL =1600 48HL =4800 20SL =2000 52HL =5200 24HL =2400 56HL =5600 28HL =2800 60HL =6000 28SL =2800 ⁽⁵⁾ 64HL =6400 32SL =3200 67HL =6700 36SL =3600 72HL =7200 40SL =4000 78HL =7800 80HL =8000 | LC =Clear Lens LN =Semi-Frost Lens- Narrow LW = Full Frost Lens- Wide | UNV =Universal Voltage 120-277V 347V =347 Volt ⁽⁶⁾ UNC =347V/480V ⁽⁷⁾ | EL7W =7-watt, 120V-277V emergency battery pack installed ⁽⁹⁾ EL14W =14-watt 120V-277V emergency battery pack installed ⁽⁹⁾ GTR2 =Bodine Generator Transfer Relay ⁽¹¹⁾ ETRD =Emergency Transfer Relay with dimming control ⁽¹¹⁾ |
| Notes (1) Only product configurations with these designated prefixes are built to be compliant with the Buy American Act of 1933 (BAA) or Trade Agreements Act of 1979 (TAA), respectively. Please refer to DOMESTIC PREFERENCES website for more information. Components shipped separately may be separately analyzed under domestic preference requirements. | | Notes (2) DesignLights Consortium® Qualified and classified for both DLC Standard and DLC Premium, refer to www.designlights.org for details. | Notes (3) Nominal lumen output see table for performance values. (4) 2 ft. model. (5) Integral options only available in 4ft model. | | Notes (6) 347V option – 60HL and above uses two drivers. (7) 347V listing in DLC is for standard 347V ONLY driver. No DLC listing for UNC. | Notes (8) Integral options only available in 4ft model. (9) With integral test switch/ indicator/laser test. For approximate delivered lumens multiply the lumens per watt of the desired fixture by the wattage of the emergency battery pack (100 lm/W x 7=700 lumens). IES-format photometry for luminaire under emergency operation available. (10) Integral EL battery pack is rated for 35°C. (11) Used to bypass local control during outage. Must be used in conjunction with UL 1008 device (provided by others). GTR2 option includes 2 relays on fixtures with dimming drivers. ETRD option only requires one relay when used on a dimming fixture. |

| CCT | Driver Type | Number of Drivers | Integrated Sensing Systems | Packaging |
|--|--|---|---|---------------------|
| CCT | Driver Type | Number of Drivers | Integrated Sensing Systems | Packaging |
| L835 =3500K L840 =4000K L850 =5000K | CD =0-10V Dimming Driver HCD =0-10V Dimming Driver (1% - 100% Dimming) SD =Step-Dim Driver SLTD =Fifth Light (DALI) Driver SR =Sensor-ready (1%-100% Dimming) ⁽¹²⁾ | 1 =1 Driver 2 =2 Drivers ⁽¹³⁾ | WAA =WaveLinx Wireless Integrated Sensor ^{(19), (20), (A)} WAB =WaveLinx Lite Wireless Integrated Sensor ^{(19), (B)} SVPD1 =0-10V Stand-alone, Integrated occupancy and daylight dimming sensor, 500 sq. ft. coverage ^{(18), (D)} SVPD2 = 0-10V Stand-alone, Integrated occupancy and daylight dimming sensor, 900 sq. ft. coverage ^{(15), (16), (18), (D)} SVPD3 = 0-10V Stand-alone, Integrated occupancy and daylight dimming sensor, 1200 sq. ft. coverage ^{(14), (18), (D)} | U =Unit Pack |
| | Notes (12) SR driver compatible with LWI option only. | Notes (13) 347V option – 60HL and above uses two drivers. | Notes (14) For mounting heights up to 30 ft. (6) For mounting heights up to 12 ft. (16) For wall mount applications. (17) SR driver compatible with LWI option only. (18) Integral sensor works with CD and HCD driver and is factory prewired to the driver for stand-alone control. (19) SW compatible with CD and HCD drivers only. (20) SW option must be used in conjunction with a Cooper Lighting Solutions control system. For complete Cooper Lighting Solutions wireless system solutions, visit www.cooperlighting.com Integrated options must be used in conjunction with the associated system and may not be compatible with other options or accessories. Please refer to the following: (A) Consult WaveLinx system pages for additional details and compatibility. (B) WaveLinx Lite devices are not currently compatible with the WaveLinx Wireless Area Controller. Consult WaveLinx Lite system pages for additional details and compatibility. (D) Consult SVPD series system pages for additional details and compatibility. | |

Accessories

| Accessories (order separately) ⁽²¹⁾ |
|---|
| SCF =Fixed Stem Set (Specify Length) SCS =Swivel Stem Set (Specify Length) SCA =Adjustable 48" Stem Set A1B/Spacer-U =Spacer 1-1/2" to 2-1/2" from ceiling (Use 2 Per Fixture) ISHH-01 =Programming Remote for Integrated Sensor ^(D) ISHH-02 =Personal Control Remote for Integrated Sensor ^(D) |
| Notes (21) Accessories sold separately will be separately analyzed under domestic preference requirements. Consult factory for further information. Integrated options must be used in conjunction with the associated system and may not be compatible with other options or accessories. Please refer to the following: (D) Consult SVPD series system pages for additional details and compatibility. |

Product Specifications

Construction

- Die formed cold rolled steel housing
- Decorative white opaque injection molded end plates
- Reflector/channel wireway cover secured by fasteners for easy access
- Numerous channel KO's for easy installation

Controls

- 0-10V dimming drivers to 1% standard
- WaveLinX wireless sensor compatible for standalone, controlled, connected, and IoT capability
- SVPD sensor compatible for out-of-the-box functionality
- DALI 2.0, Lutron, and step-dimming available

Electrical

- Long-life LED system with electrical driver for optimal performance
- Available in 3500K, 4000K, or 5000K with minimum 80 CRI
- TM21 rating up to L91 > 60,000hours

Emergency Battery Pack Option

- Optional 120V-277V integral battery pack in 7w or 14w options
- 90 minute backup period
- Test switch/indicator button with laser pointer testing feature for ground testing
- EZ Key system prevents accidental discharge during construction
- Emergency/Generator transfer options available

Finish

- High reflective post painted finish (PAF)
- Treated in multistage iron phosphate pretreatment

Shielding

- Three lens options available: LC (clear), LN (semi-frost with narrow distribution), and LW (full frost with wide distribution)
- Lens is held in place by removable injection molded white end caps

Installation

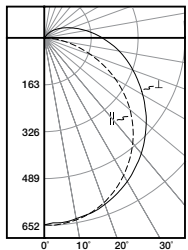
- Surface mount
- Suspended mount

Compliance

- cULus listed for up to 40C ambient environments
- Damp location listed for ceiling and wall mounting
- Comply with IESNA LM-79 and LM-80 testing standards
- Suitable for use in clothes closets
- Recommended for use in stairwells when installed to NEC 410.16 spacing requirements
- Can be used for State of California Title 24 high efficacy luminaire
- DesignLights Consortium Qualified and classified for both DLC Standard and DLC Premium

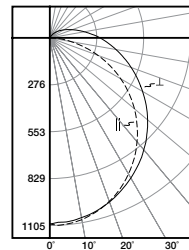
Photometric Data

 [View IES files](#)



2SWLED-24HL-LW-UNV-L840-CD1-U

Electronic Driver
 Linear LED 4000K
 Spacing criterion: (||) 1.25 x mounting height,
 (⊥) 1.32 x mounting height
 Lumens: 2475
 Input Watts: 24W
 Efficacy: 103.1 lm/W
 Test Report: 2SWLED-24HL-LW-UNV-L840-CD1-U-IES



4SWLED-40SL-LW-UNV-L840-CD1-U

Electronic Driver
 Linear LED 4000K
 Spacing criterion: (||) 1.25 x mounting height,
 (⊥) 1.29 x mounting height
 Lumens: 4015
 Input Watts: 37.9W
 Efficacy: 105.9 lm/W
 Test Report: 4SWLED-40SL-LW-UNV-L840-CD1-U-IES

Energy and Performance Data

| Lens Type | Lumen Type | Length | Catalog Number | Nominal Lumens | Wattage | lm/W with LW Lens | Approx. lm/W with LC/LN Lens |
|-----------------|------------|--------|-------------------------------|----------------|---------|-------------------|------------------------------|
| Full Frost (LW) | Standard | 2 ft. | 2SWLED-8SL-LW-UNV-L840-CD1-U | 914 | 9.0 | 102 | 120 |
| Full Frost (LW) | Standard | 2 ft. | 2SWLED-16SL-LW-UNV-L840-CD1-U | 1597 | 15.9 | 100 | 118 |
| Full Frost (LW) | Standard | 2 ft. | 2SWLED-20SL-LW-UNV-L840-CD1-U | 1987 | 20.6 | 96 | 115 |
| Full Frost (LW) | High | 2 ft. | 2SWLED-24HL-LW-UNV-L840-CD1-U | 2475 | 24 | 103 | 133 |
| Full Frost (LW) | High | 2 ft. | 2SWLED-28HL-LW-UNV-L840-CD1-U | 2813 | 27.9 | 101 | 130 |
| Full Frost (LW) | Standard | 4 ft. | 4SWLED-16SL-LW-UNV-L840-CD1-U | 1626 | 14.3 | 114 | 148 |
| Full Frost (LW) | Standard | 4 ft. | 4SWLED-16SL-LW-UNV-L840-CD1-U | 1983 | 17.6 | 113 | 146 |
| Full Frost (LW) | Standard | 4 ft. | 4SWLED-28SL-LW-UNV-L840-CD1-U | 2841 | 24.8 | 115 | 148 |
| Full Frost (LW) | Standard | 4 ft. | 4SWLED-32SL-LW-UNV-L840-CD1-U | 3217 | 28.6 | 112 | 145 |
| Full Frost (LW) | Standard | 4 ft. | 4SWLED-36SL-LW-UNV-L840-CD1-U | 3573 | 32.8 | 109 | 141 |
| Full Frost (LW) | Standard | 4 ft. | 4SWLED-40SL-LW-UNV-L840-CD1-U | 4015 | 37.9 | 106 | 137 |
| Full Frost (LW) | Standard | 4 ft. | 4SWLED-44HL-LW-UNV-L840-CD1-U | 4436 | 39.7 | 106 | 145 |
| Full Frost (LW) | High | 4 ft. | 4SWLED-48HL-LW-UNV-L840-CD1-U | 4899 | 44.6 | 110 | 143 |
| Full Frost (LW) | High | 4 ft. | 4SWLED-52HL-LW-UNV-L840-CD1-U | 5175 | 47.7 | 108 | 140 |
| Full Frost (LW) | High | 4 ft. | 4SWLED-56HL-LW-UNV-L840-CD1-U | 5623 | 52.9 | 106 | 137 |
| Full Frost (LW) | High | 4 ft. | 4SWLED-60HL-LW-UNV-L840-CD1-U | 5977 | 53.7 | 111 | 144 |
| Full Frost (LW) | High | 4 ft. | 4SWLED-64HL-LW-UNV-L840-CD1-U | 6369 | 58.2 | 109 | 141 |
| Full Frost (LW) | High | 4 ft. | 4SWLED-67HL-LW-UNV-L840-CD1-U | 6708 | 61.9 | 108 | 140 |
| Full Frost (LW) | High | 4 ft. | 4SWLED-72HL-LW-UNV-L840-CD1-U | 7201 | 67.7 | 106 | 137 |
| Full Frost (LW) | High | 4 ft. | 4SWLED-78HL-LW-UNV-L840-CD1-U | 7832 | 75.4 | 104 | 135 |
| Full Frost (LW) | High | 4 ft. | 4SWLED-80HL-LW-UNV-L840-CD1-U | 8060 | 78.4 | 103 | 133 |

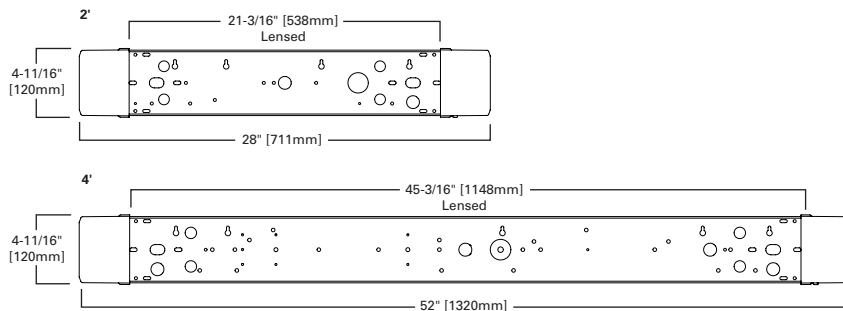
CCT Table

| Approximate Color Temperature Multiplier | |
|--|------|
| 5000K | 1.03 |
| 4000K | 1.00 |
| 3500K | 0.98 |

Shipping Data

| Catalog No. | Wt. |
|-------------|---------|
| 2SWLED | 6 lbs. |
| 4SWLED | 12 lbs. |

Dimensional and Mounting Details



Control Systems

- WaveLinx Wireless
- WaveLinx Wired
- WaveLinx Lite
- DLVP
- VividTune



Connected Systems
[CLICK HERE](#)

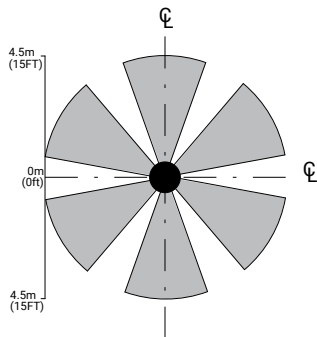
The SWLED with Integrated Sensor technology provides automatic energy savings without sacrificing performance. The SWLED delivers superior lighting with integrated occupancy and daylighting controls.

For standalone and controlled applications, the WaveLinx Lite integral sensor provides out-of-the-box functionality with no gateways required and factory startup is not needed.

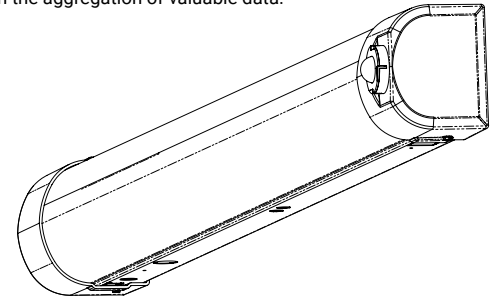
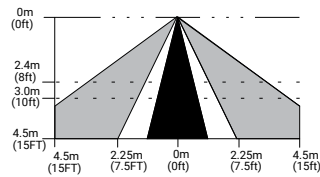
When more connectivity is required, the WaveLinx Wireless sensor meets modern code and utility requirements, delivers energy and cost savings, while enabling buildings to become smart buildings.

The WaveLinx Wireless Connected Lighting System combined with Trellix provides an open IoT platform and infrastructure that connects intelligent sensors leveraging the real-estate of the physical light fixture to solve higher complexity problems to deliver actionable insights through the aggregation of valuable data.

TOP VIEW:



SIDE VIEW:



Note: Installation of integrated sensors within 3-ft (1m) of HVAC air vents is not recommended. The pattern shown is intended solely as a general guide and is not to scale.

Systems comparison chart

Cooper Lighting Solutions provides many lighting system solutions designed to satisfy code requirements and meet the unique needs of any project.



Standalone



Controlled
WaveLinx Lite



Connected
WaveLinx Pro



Enterprise
Trellix

| | Standalone | Controlled WaveLinx Lite | Connected WaveLinx Pro | Enterprise Trellix |
|--------------------------|------------|-----------------------------|---------------------------|----------------------------|
| Occupancy | Yes | Yes | Yes | Yes |
| Daylighting | Yes | Yes | Yes | Yes |
| Gateways | - | - | 1 WAC | 300 WACs |
| Devices | - | 50 per Area (1400 per site) | 150 per WAC | 32,500 per Core Enterprise |
| Software | - | WaveLinx Lite Mobile App | WaveLinx Pro Mobile App | Trellix Core |
| Areas | - | 28 per Site | 50 per WAC | up to 3,000 |
| Zones | - | 16 per Area | 16 per Area | up to 9,000 |
| Scheduling | - | - | Local | Global |
| VividTune™ | - | - | Yes | Yes |
| Plug-Load Control | - | - | Yes | Yes |
| Low-Voltage Power | - | - | Yes | Yes |
| Integration | - | - | - | BACnet, API |
| Dashboards | - | - | - | Energy, Occupancy |
| Configuration | - | Installer | Technician | Technician / IT |

SCALABILITY

devices

areas

floors

buildings