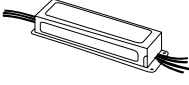
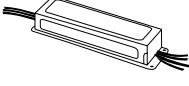
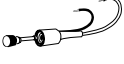
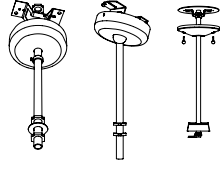
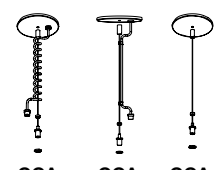


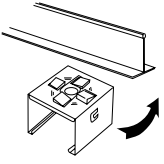
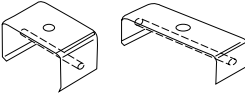

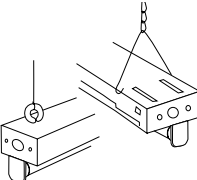
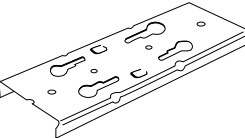
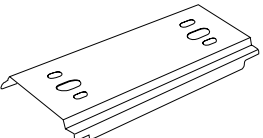


	Designation	Description
Ballasts 		Refer to product spec sheets for ballast options.
Emergency Lighting  (for additional lamp lumen performance refer to Sure-Lites spec sheet)	EL4 (350-500 lumens) Two Foot (2') - Four Foot (4') RS, SL, and Compact	Self-contained, operates one lamp at emergency levels for 90 minutes upon power loss (120V or 277V). For Dry Locations only.
	EL8 (600-700 lumens) Two Foot (2') - Eight Foot (8') RS, SL, HO and Compact	
	EL5 (up to 700 lumens) Two Foot (2') - Four Foot (4') T5	
	EL5HO (up to 600 lumens) Two Foot (2') - Four Foot (4') T5HO	
	EL14 (600 to 1400 lumens) Three Foot (3') - Eight Foot (8') RS, SL and HO; Two Foot (2') - Four Foot (4') T5 and T5HO	
Fusing (Internal or External) 	GL	Single Element (Fast Blow) Fuse
	GM	Double Element (Slow Blow) Fuse
Night Lights (Parabolic, Recessed and Surface only)	PL	Compact lamp fluorescent night light (5, 7, 9 or 13 Watt lamp, specify voltage 120V or 277V). Example: PL-13/120V

Suspension Sets	Designation	Ordering Information	
Stem Sets  SCF SCS SCA	SCF-XX-B Fixed Stem Set	<div style="display: flex; justify-content: space-around;"> <div style="border: 1px solid black; padding: 5px; text-align: center;"> CCF Type of Kit CCA=Adjustable Cable Kit CCF=Fixed Length Cable Kit </div> <div style="border: 1px solid black; padding: 5px; text-align: center;"> 18 Length of Cable Fixed Length 12=12" long 15=15" long 18=18" long 21=21" long 24=24" long 27=27" long 48=48" long ⁽¹⁾ Adjustable 120=120" long 48=48" long </div> <div style="border: 1px solid black; padding: 5px; text-align: center;"> NPF Configuration NPF=Non Power Feed PFS=Straight Cord Power ⁽²⁾ PFC=Curly Cord Power Feed ⁽²⁾ PFSDIM=Power Feed, Straight Power Cord, Dimming ⁽²⁾ </div> </div> <p>Notes: (1) PFSDIM 48 inch only with CCA adjustable version. (2) For use with 120-277VAC products only.</p>	
	SCS-XX-B (Deep Canopy, 3/8" stem, 5/8" Outside Diameter) XX=Length 6", 8", 12", 24", 36", 48", 60", 72"		Swivel Stem Set
	SCA-48-B Field cuttable Stem Set (1/4" IPS Stem, 1/2" O.D.) Used with all surface fixtures as stem sets. SCS stems have forty-five degree (45°) swivel, one direction. One set consists of one (1) stem assembly. Minimum of two (2) sets required per fixture. NOTE: Coupler, three-eighths inch (3/8") IPS Pipe Coupler to join lengths. Coupler is standard baked white enamel or special order of black.		Field cuttable Stem Set (1/4" IPS Stem, 1/2" O.D.)
Cable Sets  CCA PFC CCA PFS/PFSDIM CCA NPF	CCA-XX-PFC-U CCA=Adjustable Cable (XX=48" or 120")	CCF=Fixed Cable (XX=12", 15", 18", 21", 24", or 27") PFC=Power Feed, Coil Power Cord PFS=Power Feed, Straight Power Cord NPF=Non-Power Feed PFSDIM=Power Feed, Straight Power Cord, Dimming NOTE: Coupler, Three-eighths inch (3/8") IRS Pipe Coupler to join lengths. Coupler is standard baked white enamel or special order of black.	
	CCA-XX-PFS-U		
	CCA-XX-NPF-U		
	CCA-XX-PFSDIM-U		
	CCF-XX-PFC-U		
	CCF-XX-PFS-U		
	CCF-XX-NPF-U		
CCF-XX-PFSDIM-U			


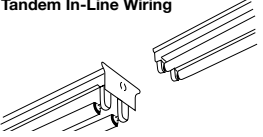
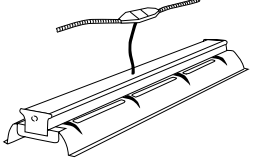
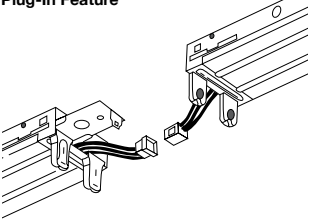
NOTES: ⁽¹⁾ Accessories sold separately will be separately analyzed under domestic preference requirements. Consult factory for further information. Specifications & dimensions subject to change without notice. Consult your Cooper Lighting Solutions Representative for availability and ordering information.



Mounting	Designation	Description
Gripper Hanger 	GRP-SSF-U (Use with SSF, SWLED, IAF/ICF, SMF, DMF) using 11/16" hole provided.	For mounting on T-bar grid. Use two (2) per fixture. Can also be stem mounted or bolted to surface. Fixture spacing one and one-half inch (1-1/2").
	GRP-SNF-U (Use with SNF, SNLED, LBLED, SRL)	
Tong Hanger 	ATG-4-U (Use with SMF, DIF, DMF, DVMF, DCIF, DCMF, DCVMF, SWLED)	Heavy Gauge Channel Tong Hanger. Use two per fixture. Fixture Spacing 1-1/2".
	ATG SSF-4-U (Use with SSF, IAF/ICF, SWLED)	
	ATG SNF-4-U (Use with SNF, SNLED, LBLED, SRL)	
Spacer 	A-1-B/Spacer-B (Use with all Strips and Industrials)	Spaces fixture 1-1/2" to two and one-half inches (2-1/2") from ceiling.
Chain Hanger 	AYC-CHAIN/SET-U (Use with all strips and industrials except STW)	Sturdy wire hook and thirty-six inch (36") chain set. Use two per fixture. One set of two (2) provided.
	Eye-Chain/Set-B (SNF, SNLED, LBLED, SRL only)	Eye bolt and thirty-six inch (36") chain. Use two (2) per fixture. One (1) set of two (2) provided.
Channel Connector 	CLC-SSF-B (LA City approved)	Special rigid channel connector designed to give extra support to continuous channel installation (Use with SSF, IAF/ICF). Provision for hanging device. NOTES: 1. Not recommended with wireguard
	CLC-SSF-EXT-B (External Connector SSF, SWLED) ¹	
	CLC-SNF-EXT-B (External Connector SNF, SNLED, LBLED, SRL) ¹	
DI Long Connector 	DI2 Long Connector (Use with SMF, DIF, DMF, DVMF, DCIF, DCMF, DCVMF)	Extra support heavy duty channel connector.

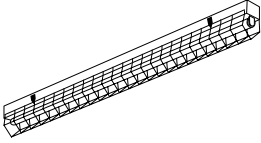
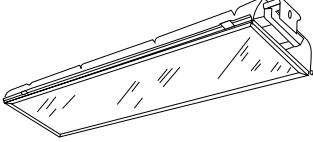
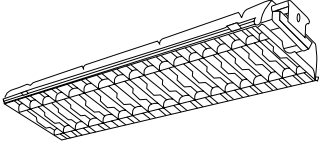
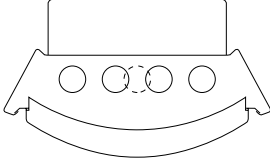
NOTES: ⁽¹⁾ Accessories sold separately will be separately analyzed under domestic preference requirements. Consult factory for further information. Specifications & dimensions subject to change without notice. Consult your Cooper Lighting Solutions Representative for availability and ordering information.



Designation	Description												
<p>Cord and Plugs</p>  <p>6-3/18SJT-CandP-515P (120V)</p> <p>6-3/18SJT-CandP-715P (277V)</p>	<p>SAMPLE NUMBER: 6-3/18SJT-CandP-515P</p> <table border="1" data-bbox="917 199 1567 399"> <tr> <td data-bbox="917 220 1079 283"> Length 6=Six Feet (6') (standard) </td> <td data-bbox="1096 220 1258 283"> Insulation Type SJT (standard) </td> <td data-bbox="1274 220 1421 304"> Plug Type [Blank]= Straight Blade L=Twist Lock </td> <td data-bbox="1437 220 1567 304"> Amp Rating 15 20 </td> </tr> <tr> <td data-bbox="917 294 1079 346"> Conductors 3/ (standard) </td> <td data-bbox="1096 283 1258 336"> Cord/Plug C and P </td> <td data-bbox="1274 325 1421 388"> Voltage 5=120V 7=277V </td> <td data-bbox="1437 304 1567 336"> P=Plug </td> </tr> <tr> <td data-bbox="917 357 1079 399"> Wire Gauge 18 (standard) </td> <td colspan="3"></td> </tr> </table>	Length 6=Six Feet (6') (standard)	Insulation Type SJT (standard)	Plug Type [Blank]= Straight Blade L=Twist Lock	Amp Rating 15 20	Conductors 3/ (standard)	Cord/Plug C and P	Voltage 5=120V 7=277V	P=Plug	Wire Gauge 18 (standard)			
Length 6=Six Feet (6') (standard)	Insulation Type SJT (standard)	Plug Type [Blank]= Straight Blade L=Twist Lock	Amp Rating 15 20										
Conductors 3/ (standard)	Cord/Plug C and P	Voltage 5=120V 7=277V	P=Plug										
Wire Gauge 18 (standard)													
<p>Tandem In-Line Wiring</p> 	<p>TILW</p> <p>Tandem in-line wired strip or industrial fixture sections are applied in pairs (Two (2) four (4') or eight foot (8') sections) See Tandem In-Line Wiring Section or consult the factory for additional ordering information.</p>												
<p>Modular Wiring Systems (MWS)</p> 	<p>Component wiring system, provides cost and labor saving alternative to conventional hardwiring. Uses interchangeable modular components. Offers portability and versatility in lighting configurations. See MWS Section or contact Pre-Sales Technical Support for additional ordering information.</p>												
<p>Plug-In Feature</p> 	<p>PI1</p> <p>CPI2</p> <p>CPI3</p> <p>Each fixture assembly is equipped with two factory installed polarized nylon plug-in connectors. Ballast leads and branch circuit wiring are connected to plug-in connectors at factory. Alternating male and female connectors complete circuit from one fixture to another when fixture plug-in connectors are joined. Consult the PI Option Section or contact Pre-Sales Technical Support for additional ordering information.</p>												

NOTES: ⁽¹⁾ Accessories sold separately will be separately analyzed under domestic preference requirements. Consult factory for further information.
 Specifications & dimensions subject to change without notice. Consult your Cooper Lighting Solutions Representative for availability and ordering information.



	Designation	Description
Wire Guards 	WG/SNF-4FT-U	Baked white enamel finish. Fourteen (14) gauge wire.
	WG/SSF-4FT-U	
	WG/ICF-4FT-U (IAF, ICF)	
	WG/DIF-4FT-U (DIF, DMF, DVMF)	
	WG/SMF-4FT-U	
	WG/SSL-R-2FT-B	
	WG/SSL-R-3FT-B	
	WG/SSL-R-4FT-B	
Gym Guards frame 	Gym Guard, GG-DIF (Wire Gym Guard)	Baked white enamel finish. Eleven (11) gauge wire. Steel to support optional sheilding. (Use with DIF, DMF, DVMF)
	WG/PA-4FT (Wire Gym Guard/Acrylic Lens)	
	DI-SL-AWithFRM (use with Slimline and HO lamps)	
	DI-RS-AWithFRM (use with Rapid Start lamps) (Steel Frame/Acrylic Lens)	
Egg Crate Louvers Steel 	MECL-DIF/RS-49-3/4-U	Baked white enamel finish. Sturdy cold rolled construction. Thirty-two degree (32°) parallel shielding. (Use with DI, DIM, DIVM)
	MECL-DIF/RS-99-1/2-U	
	MECL-DIF/SL-48-U	
	MECL-DIF/SL-96-U	
Cricket Micro Baffle 	SM-2-TBW	Cost effective indirect lighting solution. Mounting kit is field installed with standard SM strip with reflector. Variety of mounting options available. Each fixture supported at each end and/or each fixture joining.
	SM-3-TBW	
	SM-4-TBW	
	SM-5-TBW	
	SMW-2-TBW (use for wide reflector)	
	SMW-4-TBW (use for wide reflector)	

NOTES: ⁽¹⁾ Accessories sold separately will be separately analyzed under domestic preference requirements. Consult factory for further information.
 Specifications & dimensions subject to change without notice. Consult your Cooper Lighting Solutions Representative for availability and ordering information.



Brand	Battery	RCG ²	SNF ²	SSF ²	SNL ²	SSL ²	SNSM ²	SNRA ²	SMSL ²	DIF/DMF/DVMF	IAF/ICF	VT1	VT2 ²	VT3	VT4	SM/SML ²	I5/I8	HBI/HBG	2HBHD/2HBHT/2HBG	HBE/HBL	MBF	ABI			
Generic	EL4 (350-500 lm)	X	X	X	X	X	X	X	X	X	X					X	X	X	X	X	X				
	EL5 (up to 700 lm)	X	X	X	X	X	X	X	X	X	X					X	X	X	X	X	X	X			
	EL8 (600-700 lm)	X	X	X	X	X	X	X	X	X	X					X	X	X	X	X	X	X			
	EL5HO (up to 600 lm)	X	X	X	X	X	X	X	X	X	X					X	X	X	X	X	X	X			
	EL14 (600-1400 lm) ¹	X	X	X	X	X	X	X	X	X	X					X	X	X	X	X	X	X			
Bodine	EL-B100 (350-450 lm)	X	X	X	X	X	X	X	X	X	X					X	X	X			X	X			
	EL-B90 (500-600 lm)	X	X	X	X	X	X	X	X	X	X					X	X	X			X	X			
	EL-B70A (600-700 lm)	X	X	X	X	X	X	X	X	X	X					X	X	X			X	X			
	EL-B60 (600-700 lm)	X	X	X	X	X	X	X	X	X	X					X	X	X			X	X			
	EL-B60LPU (600-700 lm)	X	X	X	X	X	X	X	X	X	X		X ³	X ³	X ³	X	X	X		X ³	X	X			
	EL-B50 (1100-1400 lm) ^{1,2}	X	X	X	X	X	X	X	X	X	X		X ³	X ³	X ³	X	X	X		X ³	X	X			
	EL-B50ST (1100-1400 lm) ^{1,2}	X	X	X	X	X	X	X	X	X	X					X	X	X			X	X			
	EL-B50RCT (1100-1400 lm) ^{1,2}	X	X	X	X	X	X	X	X	X	X					X	X	X			X	X			
	EL-LP500 (370-520 lm)	X	X	X	X	X	X	X	X	X	X					X	X	X			X	X			
	EL-LP550 (390-700 lm)												X	X	X	X	X	X		X	X	X			
	EL-LP600 (600-1325 lm)												X	X	X	X	X	X		X	X	X			
	Iota	EL-I32 (up to 550 lm)	X	X	X	X	X	X	X	X	X	X					X	X	X						
EL-I40 (up to 700 lm)		X	X	X	X	X	X	X	X	X	X					X	X	X							
EL-I48 (up to 700 lm)		X	X	X	X	X	X	X	X	X	X					X	X	X							
EL-I320 (1300 lm) ^{1,2}		X	X	X	X	X	X	X	X	X	X					X	X	X							
EL-I880 (2000 lm) ^{1,2}		X	X	X	X	X	X	X	X	X	X					X	X	X							
EL-I232 (2 @ 1400 lm) ²		X	X	X	X	X	X	X	X	X	X					X	X	X							
EL-ISD80 (1300 lm) ^{1,2}		X	X	X	X	X	X	X	X	X	X					X	X	X							
EL-ISL28 (up to 500 lm) ³					X	X													X	X		X	X		
EL-ISL54 (up to 825 lm)					X	X													X	X		X	X		
EL-ISL540 (up to 1300 lm)					X	X													X	X		X	X		
EL-I40DL (up to 700 lm)													X	X	X						X				
EL-I48DL (up to 700 lm)													X	X	X						X				
EL-I80DL (1300 lm)													X	X	X						X				
EL-I232DL (2 @ 1400 lm)													X	X	X						X				
EL-ISL28DL (up to 500 lm)													X	X	X						X				
EL-ISL54DL (up to 825 lm)													X	X	X						X				
Sure-Lite		EBP1400NCF (1400lm) ³	X	X	X	X	X	X	X	X	X	X					X	X	X						

NOTES: 1. For battery wired for two lamps, specify "/2L" after battery description. 2. Due to size limitations, battery cannot be installed in two (2) foot units. 3. Order BDLGOU or B50LP for vaportitite, hosedown or UL wet listed fixtures.

⁽⁴⁾ Accessories sold separately will be separately analyzed under domestic preference requirements. Consult factory for further information.

Specifications & dimensions subject to change without notice. Consult your Cooper Lighting Solutions Representative for availability and ordering information.



Nomenclature	Description	RCG	SNF	SSF	SNL	SSL	SNSM	SNRA	SMSL	DIF/DMF/DVMF	IAF/ICF	VT1	VT2	VT3	VT4	SM/SML	I5/I8	HBI	2HBHD/2HBHT/2HBG	HBE/HBL	MBF	ABI
RIF1	Radio Interference Suppressor	X	X	X	X	X	X	X	X	X	X		X			X	X	X	X	X	X	
2/RIF1	2 Suppressors	X	X	X	X	X	X	X	X	X	X		X			X	X	X	X	X	X	
PC_Voltage	Cord and Plug Attached (Specify Voltage)		X	X	X		X															
WL	Wet Location Labeled											X	X	X	X							
DD	Deep Diffuser												X									
MF	Metallic Finish																					
UPL	Uplight Apertures																X	X			X	
NUA	No Uplight Apertures																X	X				
PI/CPI	Plug-in Wiring	X	X	X	X	X	X	X	X	X	X					X	X					
TILW	Tandem In-Line Wiring (TILW)	X	X	X	X	X	X	X	X	X	X		X			X	X	X				
SSL	Stainless Steel Latches												X	X								
TEH	Top and End Hubs												X	X								
TH	Top Hub Only												X	X								
IB/OB	Inboard/Outboard (Three (3) Lamp only)									X												
POX	Porlux Reflector Finish									X	X											
PC6	Power Cord Six Foot (6')																X	X			X	X
PC3	Power Cord Three Foot (3')																X	X			X	X
MS	Motion Sensor (Aisle Coverage)																X	X	X	X	X	X
REP	Riveted End Plate	X	X	X		X	X	X		X	X					X						
1IN/MLAB	One Inch (1") Mark Labels	X	X	X	X	X	X	X	X	X	X		X			X	X	X	X			
2IN/MLAB	Two Inch (2") Mark Labels	X	X	X	X	X	X	X	X	X	X		X			X	X	X	X			
PAF	Painted After Fabrication		X	X	X	X	X	X	X	X	X											
GL or GM	Single or Double Element Fuse	X	X	X	X	X	X	X	X	X	X		X			X	X	X	X	X	X	X

NOTES: 1. For HBE/HBL, use HBL-SPM for single mount option.

⁽²⁾ Accessories sold separately will be separately analyzed under domestic preference requirements. Consult factory for further information.

Specifications & dimensions subject to change without notice. Consult your Cooper Lighting Solutions Representative for availability and ordering information.

STRIPS AND INDUSTRIALS PACKAGING (REQUIRED)

Nomenclature	Description	RCG	SNF	SSF	SNL	SSL	SNSM	SNRA	SMSL	DIF/DMF/DVMF	IAF/ICF	VT1	VT2	VT3	VT4	SM/SML	I5/I8	HBI	2HBHD/2HBHT/2HBG	HBE/HBL	MBF	ABI
U	Unit Pack	X	X	X	X	X	X	X	X	X	X		X			X	X	X	X	X	X	
2B	Two (2) Bulk																					
4B	Four (4) Bulk			X						X	X											
6B	Six (6) Bulk		X																			
PAL	Palletized out of carton on a 25" x 48" pallet, shrink wrapped																X	X	X	X	X	
PALC	Palletized in carton on a 25" x 48" pallet, shrink wrapped																X	X	X	X	X	