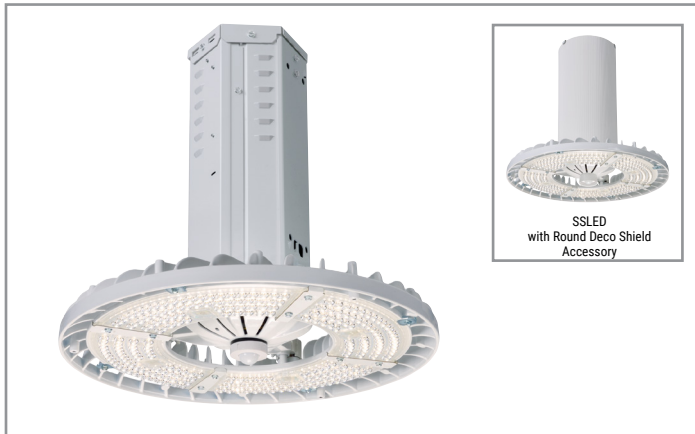


Project		Catalog #		Type	
Prepared by		Notes		Date	



Metalux

SS LED

LED Round High Bay

Typical Applications

Industrial • Commercial • Retail • Manufacturing • Warehouse • Gymnasium
• Multi-purpose • High Bay / Low Bay Applications

Interactive Menu

- Order Information [page 2](#)
- Photometric Data [page 3](#)
- Control Solutions [page 5](#)
- Connected Systems [page 5](#)
- Product Warranty

Product Certification



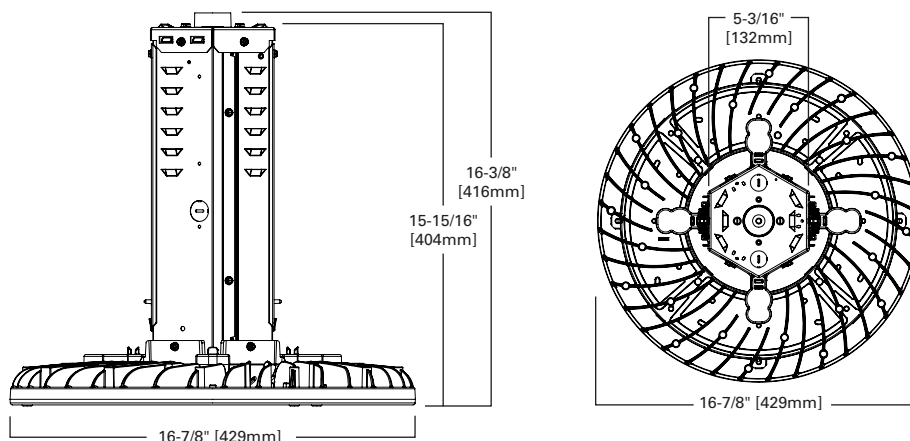
Product Features



Top Product Features

- Compact, lightweight design for ease of installation
- Available in 7 lumen packages up to 36,000 lumens
- High-Performance efficacy up to 152 lm/W
- Occupancy and daylight sensor for added savings
- Lumen Maintenance – L88 at 60,000 hours
- Industry leading optics in narrow, medium, and wide distribution
- 0-10V Dimming driver standard
- Options to meet Buy American and other domestic preference requirements

Dimensional and Mounting Details



[additional product diagrams](#)

Order Information

SAMPLE ORDER NUMBER: **SSLED-LD5-24-M-UNV-L840-CD2-U**

Domestic Preferences	Series	LED Type	LED Lumen Output	Ambient Rating	Distribution	Voltage	CCT	Emergency Options
Domestic Preferences ⁽¹⁾	Series ⁽²⁾	LED Type	LED Lumen Output	Ambient Rating	Distribution	Voltage	CCT	Emergency Options
[Blank]=Standard BAA=Buy American Act TAA=Trade Agreements Act	SSLED=LED High Bay	LD5=LED 5.0	9=9,000 Lumens 12=12,000 Lumens 15=15,000 Lumens 18=18,000 Lumens 24=24,000 Lumens 30=30,000 Lumens 36=36,000 Lumens	[Blank]=Standard Ambient HT=High Ambient (18, 24 only)	N=Narrow M=Medium W=Wide	UNV=Universal Voltage 120-277 UNC=Universal Voltage 347/480 ⁽³⁾	L835=3500K L840=4000K L850=5000K	EL20WREM=Emergency Installed, Remote, 20 Watts ^{(2), (5), (6), (7)}
Notes (1) Only product configurations with these designated prefixes are built to be compliant with the Buy American Act of 1933 (BAA) or Trade Agreements Act of 1979 (TAA), respectively. Please refer to DOMESTIC PREFERENCES website for more information. Components shipped separately may be separately analyzed under domestic preference requirements.	Notes (2) DesignLights Consortium® Qualified and classified for both DLC Standard and DLC Premium, refer to www.designlights.org for details.					Notes (3) No EL with UNC drivers.		Notes (4) Battery pack must be remote mounted 1 ft. off-center from fixture to building structure or an electrical enclosure. (5) No EL with TCB. (6) No EL with UNC drivers. (7) Refer to ambient ratings chart for specific ambient limits per lumen package and options.

Driver Type	Number of Drivers	Color	Mounting Type	Wiring	Options	Packaging
Driver Type	Number of Drivers	Color	Mounting Type ^{(9), (12)}	Wiring	Options	Packaging
CD=0-10V Dimming Driver 5LTD=Fifth Light DALI ⁽⁸⁾	1=1 Driver (9, 12, 15, 18) 2=2 Driver (18HT, 24, 24HT, 30, 36)	[Blank]=White GRY=Gray BLK=Black	[Blank]=3/4" Threaded Hub SHK=Fixture Hook ⁽¹¹⁾ TCB=Top Connector Box ^{(10), (12)} TCB/SHK=Top Connector Box with Die-cast Aluminum Fixture Hook TCB/FL-1=Top Connector Box with Fixture Loop MP=Modular Plug (1 Circuit) ⁽¹³⁾ MP/SHK=Modular Plug with Fixture Hook (supplied) MP/FL-1=Modular Plug with Fixture Loop (supplied)	C3 (1)=1 Circuit, 3' Cord with no Plug C3 (2)=2 Circuits, 3' Cord with no Plug C6 (1)=1 Circuit, 6' Cord with no Plug C6 (2)=2 Circuit, 6' Cord with no Plug PC3/120=1 (NEMA L5-15P) 3' Cord with NEMA Plug ⁽¹⁴⁾ PC3/277=1 (NEMA L7-15P) 3' Cord with NEMA Plug ⁽¹⁴⁾ PC3/347=1 (NEMA L24-20P) 3' Cord with NEMA Plug ⁽¹⁴⁾ PC3/480=1 (NEMA L8-20P) 3' Cord with NEMA Plug ⁽¹⁴⁾ PC6/120=1 (NEMA L5-15P) 6' Cord with NEMA Plug ⁽¹⁴⁾ PC6/277=1 (NEMA L7-15P) 6' Cord with NEMA Plug ⁽¹⁴⁾ PC6/347=1 (NEMA L24-20P) 6' Cord with NEMA Plug ⁽¹⁴⁾ PC6/480=1 (NEMA L8-20P) 6' Cord with NEMA Plug ⁽¹⁴⁾	SVPD3=Integrated Occupancy and Daylight Sensor, 1200 sq. ft. Coverage ^{(15), (16)} LWR=Enlightened Wireless Sensor system ZW-SWPD3=Integrated Wavelinx Wireless Sensor, 1200 sq. ft. Coverage ⁽¹⁷⁾ WLS4=WaveLinX Lite Wireless Integrated Sensor, 15'-40' Mounting Height ^{(17), (25)}	U=Unit Pack
Notes (8) Refer to ambient ratings chart for specific ambient limits per lumen package and options.			Notes (9) TCB and MP cannot be ordered at the same time. (10) No EL with TCB. (11) SHK or FL-1 must be ordered factory installed for PC option. (12) Rigid mount not for use in gymnasiums. (13) MP option to be paired with MPC and MC power cord accessory.	Notes (14) SHK or FL-1 must be ordered factory installed for PC option.	Notes (15) SVPD3 available in UNV only. (16) Reflectors not compatible with sensor options. (17) Not compatible with EM options. (25) Wavelinx Lite devices are not currently compatible with the Wavelinx Pro Wireless Area Controller.	

Accessories

Accessories (order separately) ⁽²⁴⁾
<p>LOOP-10=Ten Foot Loop Hanger, #2 Cable ⁽²⁰⁾</p> <p>LOOP-30=Thirty Foot Loop Hanger, #2 Cable ⁽²⁰⁾</p> <p>SSLED-SA23-U=Aluminum Shroud ⁽²¹⁾</p> <p>SSLED-WG17-U=Wireguard</p> <p>WG22=Wireguard for use with SA23, CLR22, and FRR22</p> <p>SSLED-CLR22-U=Clear Reflector ^{(18), (21), (22)}</p> <p>SSLED-FRR22-U=Frosted Reflector ^{(18), (21), (22)}</p> <p>SSLED-CLDL22=Clear Drop Lens ^{(18), (21), (22)}</p> <p>SSLED-CLCDL22=Clear Conical Drop Lens ^{(18), (21), (22)}</p> <p>SSLED-FRDL22=Frosted Drop Lens ^{(18), (21), (22)}</p> <p>SSLED-FRCDL22=Frosted Conical Drop Lens ^{(18), (21), (22)}</p> <p>SHK=Fixture Hooks</p> <p>FL-1=Fixture Loop</p> <p>MPC3=3' Modular Power Cord & Plug (Specify Voltage)</p> <p>MPC6=6' Modular Power Cord & Plug (Specify Voltage)</p> <p>MC3=3' Modular Power Cord</p> <p>MC6=6' Modular Power Cord</p> <p>SSLED-DECO-U=Round Deco Kit ⁽¹⁹⁾</p> <p>SSLED-UPL-U=Uplight Kit ⁽²³⁾</p> <p>ISHH-01=Programming Remote for Integrated Sensor</p> <p>ISHH-02=Personal Control Remote for Integrated Sensor</p> <p>SWPD3=WaveLinX Sensor (for field installation into WaveLinX enabled fixture)</p>
<p>Notes</p> <p>(18) Refer to ambient ratings chart for specific ambient limits per lumen package and options. (19) Deco shield can be used up to 24,000 lumens (40°C temp.). (20) The accessory Loop Hanger shall be utilized only as a secondary safety and not the primary means of mounting. (21) Reflectors not compatible with sensor options. (22) All lenses must be combined with and attach to a reflector. Lenses do not attach directly to the fixture. (23) Uplight kit not compatible with SA23 Shroud, WG17 or WG22 wireguards. (24) Accessories sold separately will be separately analyzed under domestic preference requirements. Consult factory for further information.</p>

Product Specifications

Construction

- Rugged and durable die-cast aluminum lower housing protects LED components for optimal performance
- Heavy gauge CRS upper driver housing provides durability and thermal control
- Suspension mounting with various mounting options

Electrical

- Long-Life LED system coupled with electrical driver for optimal performance
- LED's available in 3500K, 4000K and 5000K with a CRI \geq 80
- Electronic drivers are available for 120-277V, 347V and 480V applications
- 0-10V dimming control (standard)
- Optional Digital Addressable Lighting Interface (DALI) drivers for use with Fifth Light controls
- Operating temperature of -40°C to 55°C (with 0-10V driver). Refer to chart

Optics

- Proprietary discrete, low-brightness LED module assembly
- Precision designed, high-impact polycarbonate optics deliver even illumination
- Offered in Narrow, medium and wide distributions
- Performance options include a low-profile optical shroud

Controls

- Integral occupancy sensor option provides 1200 sq. ft. of coverage in a maximum mounting height of 30'
- Enlighted wireless sensor system option
- Integrated Wavelinx Wireless Sensor option provides 1200 sq. ft. coverage
- WaveLinx wireless enabled (does not include sensor)

Finish

- Standard white polyester powder coat finish painted after fabrication provides increased durability and rust inhibition

Compliance

- cULus listed for damp locations
- IP65 rated optics
- RoHS compliant
- LED modules comply with IESNA LM-79 and LM-80 standards
- DesignLights Consortium® Qualified and classified for both DLC Standard and DLC Premium (refer to www.designlights.org for details)

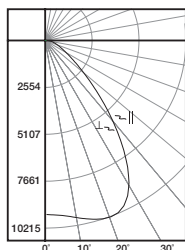
Warranty

- Five year warranty standard.

WaveLinx Lite devices are not currently compatible with the WaveLinx Pro Wireless Area Controller

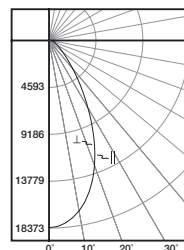
Photometric Data

[View IES files](#)



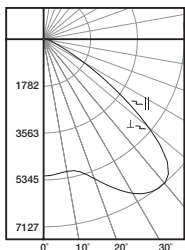
SSLED-LD5-18-M-UNV-L840-CD1-U

Electric Driver
 Linear LED 4000K
 Spacing criterion: (||) 1.3 x mounting height,
 (⊥) 1.3 x mounting height
 Lumens: 18,341
 Input Watts: 133.8W
 Efficacy: 137.1 lm/W
 Test Report: SSLED-LD5-18-M-UNV-L840-CD1-U.IES



SSLED-LD-18-N-UNV-L840-CD1-U

Electronic Driver
 Linear LED 3500K
 Spacing criterion: (||) 0.83 x mounting height,
 (⊥) 0.83 x mounting height
 Lumens: 18,026
 Input Watts: 133.8W
 Efficacy: 134.7 lm/W
 Test Report: SSLED-LD5-18-N-UNV-L840-CD1-U.IES



SSLED-LD5-18-W-UNV-L840-CD1-U

Electric Driver
 Linear LED 4000K
 Spacing criterion: (||) 1.3 x mounting height,
 (⊥) 1.3 x mounting height
 Lumens: 18,341
 Input Watts: 133.8W
 Efficacy: 137.1 lm/W
 Test Report: SSLED-LD5-18-W-UNV-L840-CD1-U.IES

Energy and Performance Data

Catalog Number	Description	Performance		
		Delivered Lumens	Watts	Efficacy (lm/W)
Narrow				
SSLED-LD5-9-N-UNV-L850-CD1-U	Steeler LED 9,000 Lumen, Narrow Dist, 5000K, 0-10V	9,576	64	149
SSLED-LD5-12-N-UNV-L850-CD1-U	Steeler LED 12,000 Lumen, Narrow Dist, 5000K, 0-10V	12,769	85	150
SSLED-LD5-15-N-UNV-L850-CD1-U	Steeler LED 15,000 Lumen, Narrow Dist, 5000K, 0-10V	15,829	111	143
SSLED-LD5-18-N-UNV-L850-CD1-U	Steeler LED 18,000 Lumen, Narrow Dist, 5000K, 0-10V	18,596	134	139
SSLED-LD5-24-N-UNV-L850-CD2-U	Steeler LED 24,000 Lumen, Narrow Dist, 5000K, 0-10V	24,918	191	131
SSLED-LD5-30-N-UNV-L850-CD2-U	Steeler LED 30,000 Lumen, Narrow Dist, 5000K, 0-10V	31,531	266	118
SSLED-LD5-36-N-UNV-L850-CD2-U	Steeler LED 36,000 Lumen, Narrow Dist, 5000K, 0-10V	36,789	334	110
Medium				
SSLED-LD5-9-M-UNV-L850-CD1-U	Steeler LED 9,000 Lumen, Medium Dist, 5000K, 0-10V	9,743	64	152
SSLED-LD5-12-M-UNV-L850-CD1-U	Steeler LED 12,000 Lumen, Medium Dist, 5000K, 0-10V	12,993	85	152
SSLED-LD5-15-M-UNV-L850-CD1-U	Steeler LED 15,000 Lumen, Medium Dist, 5000K, 0-10V	16,106	111	145
SSLED-LD5-18-M-UNV-L850-CD1-U	Steeler LED 18,000 Lumen, Medium Dist, 5000K, 0-10V	18,921	134	141
SSLED-LD5-24-M-UNV-L850-CD2-U	Steeler LED 24,000 Lumen, Medium Dist, 5000K, 0-10V	25,353	191	133
SSLED-LD5-30-M-UNV-L850-CD2-U	Steeler LED 30,000 Lumen, Medium Dist, 5000K, 0-10V	32,082	266	120
SSLED-LD5-36-M-UNV-L850-CD2-U	Steeler LED 36,000 Lumen, Medium Dist, 5000K, 0-10V	37,432	334	112
Wide				
SSLED-LD5-9-W-UNV-L850-CD1-U	Steeler LED 9,000 Lumen, Wide Dist, 5000K, 0-10V	9,640	64	150
SSLED-LD5-12-W-UNV-L850-CD1-U	Steeler LED 12,000 Lumen, Wide Dist, 5000K, 0-10V	12,855	85	151
SSLED-LD5-15-W-UNV-L850-CD1-U	Steeler LED 15,000 Lumen, Wide Dist, 5000K, 0-10V	15,935	111	144
SSLED-LD5-18-W-UNV-L850-CD1-U	Steeler LED 18,000 Lumen, Wide Dist, 5000K, 0-10V	18,721	134	140
SSLED-LD5-24-W-UNV-L850-CD2-U	Steeler LED 24,000 Lumen, Wide Dist, 5000K, 0-10V	25,085	191	132
SSLED-LD5-30-W-UNV-L850-CD2-U	Steeler LED 30,000 Lumen, Wide Dist, 5000K, 0-10V	31,742	266	119
SSLED-LD5-36-W-UNV-L850-CD2-U	Steeler LED 36,000 Lumen, Wide Dist, 5000K, 0-10V	37,035	334	111

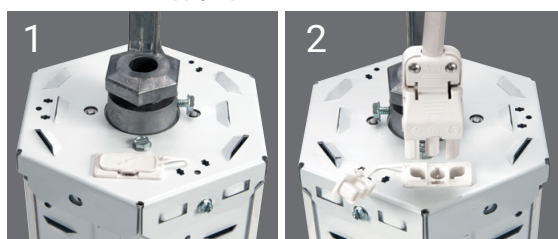
Lumen Maintenance

Lumens	Ambient Temperature	TM-21 Lumen Maintenance (60,000 hours)	Theoretical L70 (hours)
24,000 lumen	25°C	> 88%	> 167,000
30,000 lumen	25°C	> 73%	> 68,500
36,000 lumen	25°C	> 68%	> 55,000

Lumen Packages and Ambient Temperature

Lumen Package	Ambient	Driver		Reflector		EM
		CD	5LTD	Open	Lensed	
SSLED-LD5-9	55C	55C	40C	55C	55C	40C
SSLED-LD5-12	55C	55C	40C	55C	55C	40C
SSLED-LD5-15	55C	55C	40C	55C	55C	40C
SSLED-LD5-18	40C	40C	40C	40C	40C	40C
SSLED-LD5-18HT	55C	55C	N/A	55C	55C	N/A
SSLED-LD5-24	40C	40C	40C	40C	40C	40C
SSLED-LD5-24HT	50C	50C	N/A	50C	50C	N/A
SSLED-LD5-30	40C	40C	40C	40C	40C	40C
SSLED-LD5-36	40C	40C	40C	40C	35C	40C

Modular Power Supply Option



1. Modular Power Supply Receptacle supplied mounted into fixture Access Plate.
2. Modular Power Cord & Plugs in 120, 277, 347, & 480V configurations for easy plug & power into existing supply.

Cooper Lighting Solutions' Modular Power Supply option is available for use with the SSLED. The modular power supply allows external fixture access for safe and easy servicing. Access to the individual fixture's power supply allows servicing without turning off all the fixtures disrupting occupants. Cooper Lighting Solutions' Modular Power Supply is a time saver in installation – **simply plug & power.**

Energy Data

Input Watts:
9 (9,000 lumens)=64W
12 (12,000 lumens)=85W
15 (15,000 lumens)=111W
18 (18,000 lumens)=134W
24 (24,000 lumens)=190W
30 (30,000 lumens)=266W
36 (36,000 lumens)=334W

Shipping Data

Catalog No.	Wt.
SSLED-LD5-9	19 lbs.
SSLED-LD5-12	19 lbs.
SSLED-LD5-15	19 lbs.
SSLED-LD5-18	19 lbs.
SSLED-LD5-24	19 lbs.
SSLED-LD5-30	19 lbs.
SSLED-LD5-36	19 lbs.

Control Systems

- WaveLinx Wireless
- WaveLinx Wired
- WaveLinx Lite
- DLVP
- iLumin Plus



Connected Systems
[CLICK HERE](#)

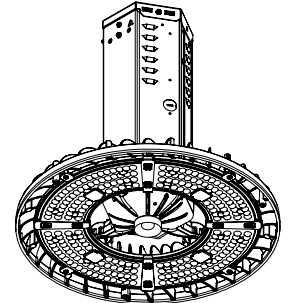
Integrated Sensor

The Steeler LED with Integrated Sensor technology provides automatic energy savings without sacrificing performance. Traditionally these types of energy savings required coordination between the luminaire and a lighting control system. The Steeler LED delivers superior lighting with integrated occupancy and daylighting controls.

Capture the benefits of traditional lighting controls, without complicated coverage planning or special wiring. Ideal for new construction or retrofit the Steeler LED delivers automatic ON to an energy saving light level, while turned OFF when the space is unoccupied.

Occupied light levels and unoccupied light levels can be adjusted using the integrated sensor programming remote (Catalog Number: ISHH-01). The integrated sensor personal remote (Catalog Number: ISHH-02) provides code compliant manual raise, lower, ON, OFF control.

The Steeler LED with Integrated Sensor is easy to install with no special wiring and ensures energy savings out-of-the-box with default control settings.



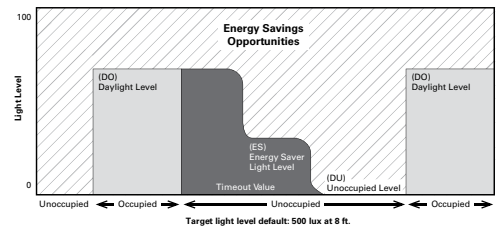
How it works:

- As the user enters the space controlled by the integral sensor, the lighting turns ON to full light output. This can be changed using the optional remote.
- Lighting will remain at that the occupied level until the space is unoccupied. This will start the occupancy timeout period (default 20 minutes).
- If the space remains unoccupied for half of the timeout period, the lighting will automatically reduce to the Energy Saver light level. This adjustable light level is typically half of the occupied level.
- At the end of the timeout period the lighting will go to the unoccupied light level. This adjustable light level uses the OFF default setting.

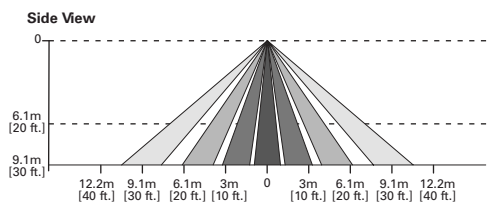
Systems comparison chart

Cooper Lighting Solutions provides many lighting system solutions designed to satisfy code requirements and meet the unique needs of any project.

	Distributed Low-Voltage Power System	WaveLinx	Enlighted
Space type	Interior	Interior/Outdoor	Any
Stand-alone or Network	Stand-alone	Both	Network
Need-based feature progression			
Basic compliance only	●	●	●
Occupancy sensing	●	●	●
Daylight harvesting	●	●	●
Zone control	●	●	●
Scheduling	●	●	●
0-10V dimming	●	●	●
Individual fixture control	●	●	●
Retrofit+Building Integration	●	●	●
Total wireless connectivity	●	●	●
A/V integration	●	●	●
BMS integration	●	●	●
UI options (touchscreen, apps, etc.)	●	●	●
Enterprise level building integration	●	●	●
Facility management & tools	●	●	●
Floor plan & reporting tools	●	●	●
Value-added services	●	●	●
Asset tracking	●	●	●
API integration	●	●	●
Analytics/higher problem solving	●	●	●



SVPD3 Coverage Pattern



Optional Remote Controls



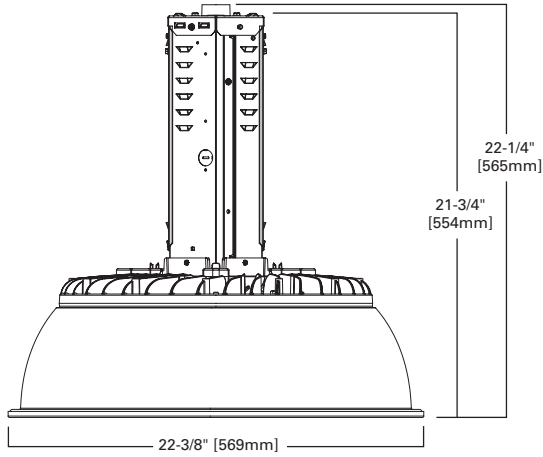
ISHH-01 Remote



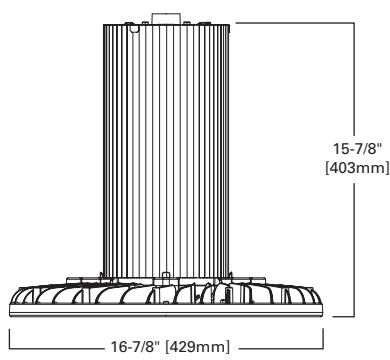
ISHH-02 Remote

Accessories

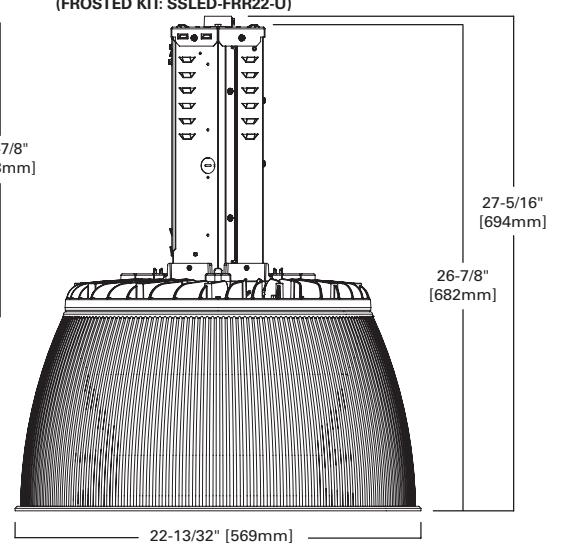
SSLED-W/ SHROUD ACCESSORY KIT
(KIT: SSLED-SA23-U)



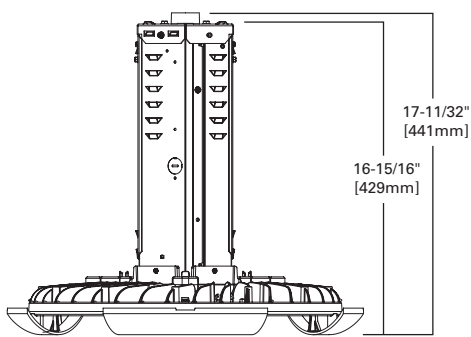
SSLED-W/ROUND DECO SHIELD
(KIT: SSLED-DECO-U)



SSLED W/ REFLECTOR ACCESSORY KIT
(CLEAR KIT: SSLED-CLR22-U)
(FROSTED KIT: SSLED-FRR22-U)



SSLED-W/ UPLIGHT ACCESSORY KIT
(KIT: SSLED-UPL-U)



SSLED-W/WIRE GUARD
(KIT: SSLED-WG17-U)

