

Project		Catalog #		Type	
Prepared by		Notes		Date	



Metalux

SRL LED

Lensed, Sensor-enabled
LED Strilight

Typical Applications
Industrial • Commercial

Interactive Menu

- Order Information [page 2](#)
- Photometric Data [page 3](#)
- Control Solutions [page 5](#)
- Product Warranty

Product Certification



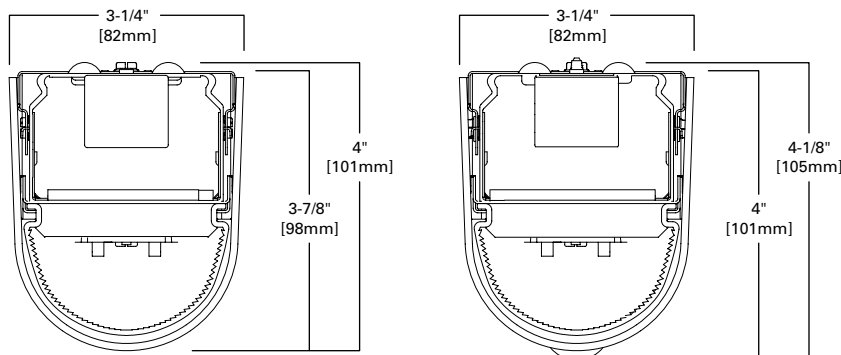
Product Features



Top Product Features

- Multiple integrated and factory tested sensor based control options
- Simplicity and speed – the lighting layout is the controls layout
- Up to 149 LPW for maximum energy savings
- Lens options enable lumen and distribution control
- Narrow 4' and 8' lengths are suspended or surface/wall mountable
- Options to meet Buy American and other domestic preference requirements

Dimensional and Mounting Details



WITH WAA, WAB OR
WITHOUT SENSOR

WITH SVPD2/3 SENSOR

[additional product diagrams](#)

Order Information

SAMPLE ORDER NUMBER: **4SRL-LD5-41SL-LW-UNV-L835-CD1-SPVD2-U**

Domestic Preferences	Length	Series	LED Type	LED Lumen Packages			Lens	Row Type
Domestic Preferences ⁽¹⁷⁾	Length	Series ⁽¹⁶⁾	LED Type	LED Lumen Packages ⁽¹⁾			Lens	Row Type
[Blank]=Standard BAA=Buy American Act TAA=Trade Agreements Act	4=4 ft. Length 8=8 ft. Length	SRL=Sensor enabled LED strip	LD5=LED 5.0	LW 27SL ⁽²⁾ 30SL ⁽²⁾ 34SL ⁽²⁾ 37SL ⁽²⁾ 41SL ⁽²⁾ 44SL ⁽²⁾ 47SL ⁽²⁾ 50SL ⁽²⁾ 54SL 61SL ⁽⁷⁾ 67SL ⁽⁷⁾ 74SL ^{(7),(9)} 82SL ^{(7),(9)} 88SL ^{(7),(9)} 95SL ^{(7),(9)}	LN 29SL ⁽²⁾ 33SL ⁽²⁾ 38SL ⁽²⁾ 41SL ⁽²⁾ 46SL ⁽²⁾ 49SL ⁽²⁾ 52SL ⁽²⁾ 55SL ⁽²⁾ 60SL 67SL ⁽⁷⁾ 74SL ⁽⁷⁾ 82SL ^{(7),(9)} 92SL ^{(7),(9)} 96SL ^{(7),(9)} 104SL ^{(7),(9)}	LC 30SL ⁽²⁾ 34SL ⁽²⁾ 38SL ⁽²⁾ 42SL ⁽²⁾ 47SL ⁽²⁾ 50SL ⁽²⁾ 53SL ⁽²⁾ 56SL ⁽²⁾ 61SL 68SL ⁽⁷⁾ 75SL ⁽⁷⁾ 83SL ^{(7),(9)} 94SL ^{(7),(9)} 98SL ^{(7),(9)} 106SL ^{(7),(9)}	LW=Full Frost Lens - Wide LC=Clear Lens LN=Semi-Frost Lens - Narrow	[Blank]=Stand alone with two endcaps CR=Continuous row with one mid cap and LN coupling bracket ⁽⁸⁾
Notes <small>(17) Only product configurations with these designated prefixes are built to be compliant with the Buy American Act of 1933 (BAA) or Trade Agreements Act of 1979 (TAA), respectively. Please refer to DOMESTIC_PREFERENCES website for more information. Components shipped separately may be separately analyzed under domestic preference requirements.</small>		Notes <small>(16) DesignLights Consortium® Qualified and classified for both DLC Standard and DLC Premium, refer to www.designlights.org for details.</small>		Notes <small>(1) Nominal lumen output. See table for actual lumens. (2) Available in 4 foot only. (7) Available in 8 foot only. (9) At 347V, two drivers required for lumen packages identified.</small>				Notes <small>(8) For continuous row application, select one standard fixture and the rest as continuous row (-CR). See instruction booklet for additional information.</small>

Voltage	Emergency	CCT	Drive Type	Number of Drivers
Voltage	Emergency	CCT	Driver Type	Number of Drivers
UNV=Universal Voltage 120-277 347V=347 Volt ⁽⁹⁾ 480V=480 Volt ⁽¹²⁾	EL7W=7-watt, 120V-277V emergency battery pack installed ⁽¹⁰⁾ EL14W=14-watt 120V-277V emergency battery pack installed ⁽¹⁰⁾ GTR2=Bodine Generator Transfer Relay ⁽⁶⁾ ETRD=Iota Emergency Transfer Relay with dimming control ⁽⁶⁾	L830=3000K L835=3500K L840=4000K L850=5000K	CD=0-10V Dimming (10%-100% Dimming) HCD=0-10V Dimming Driver (1% - 100% Dimming) SR=Sensor Ready Dimming Driver SLTD=Fifth Light (DALI) Driver ^{(13),(E)}	1=1 Driver 2=2 Drivers
Notes <small>(9) At 347V, two drivers required for lumen packages identified. (12) 4 ft, 480V option cannot be selected in combination with battery.</small>	Notes <small>(6) Used to bypass local control during outage. Must be used in conjunction with UL 1008 device (provided by others). GTR2 option includes 2 relays on fixtures with dimming drivers. ETRD option only requires one relay when used on a dimming fixture. Must specify voltage as 120V or 277V when ordering these devices. (10) With integral test switch/indicator/laser test. For approximate delivered lumens multiply the lumens per watt of the desired fixture by the wattage of the emergency battery pack (100lm/W x 7 = 700 lumens)</small>		Notes <small>(13) Requires two drivers for 7400 - 10,600 lumens. (E) Consult Fifth Light system pages for additional details and compatibility.</small>	

Options	Sensors	Packaging	Strip Accessories	SRL Specific Spare Parts/Accessories
Options	Sensor	Packaging	Strip Accessories (order separately) ⁽¹⁸⁾	SRL Specific Spare Parts/Accessories (order separately) ⁽¹⁸⁾
PI/CPI=Plug in and cross over plug in options ⁽¹⁴⁾ PC6/515P=(NEMA 5-15P) 6' Cord with NEMA Straight Plug ^{(5),(14)} PC6/L715=(NEMA L7-15P) 6' Cord with NEMA Twist Plug ^{(5),(14)}	[Blank]=End or midcap included with no sensor WAA=WaveLinX Wireless Integrated Sensor ^{(15),(A)} WAB=WaveLinX Lite Wireless Integrated Sensor ^{(15),(B)} SPVD2=Integrated occupancy and daylight dimming sensor, 900 sq. ft. coverage ^{(15),(D)} SPVD3=Integrated occupancy and daylight dimming sensor, 1200 sq. ft. coverage ^{(15),(D)}	U=Unit Pack	GRP-SNF-U=T-bar grid hanger AYC-Chain/Set=36" Chain Hanger (Use 1 set per fixture) SCF=Fixed Stem Set (Specify Length) SCS=Swivel Stem Set (Specify Length) EYE CHAIN SET/3FT=Eye Bolt Chain (Use 1 set =per fixture) A1B/Spacer-U=Spacer 1-1/2" to 2-1/2" from ceiling (Use 2 Per Fixture) TOGGLE=Single Toggle No. 2 (Specify Length) Y-TOGGLE=Y Toggle No. 2 (Specify Length) ATG SNF-4-U=Tong hanger	CLC-SRL-EXT-B=Continuous row external bracket SRL-BEC=Blank End Cap, No hole for Sensor SRL-WCLEC=WaveLinX end cap SRL-SPVD23LEC=Integrated SPVD2 or SPVD3 Sensor endcap SRL-BMC=Blank Mid Cap SRL-WCLMC=WaveLinX Mid Cap SRL-SPVD23LMC=Integrated SPVD2 or SPVD3 Mid Cap SRL-LENS-LW=Replacement Wide Lens SRL-LENS-LN=Replacement Narrow Lens SRL-LENS-LC=Replacement Clear Lens ISHH-01=Programming Remote for SPVD Integrated Sensor ^(D) ISHH-02=Personal Remote for SPVD Integrated Sensor ^(D)
Notes <small>(5) Most common C&P shown. Must specify location for cord. All "end" locations will be on the end with sensor installed. (14) Consult tech support on numerous options for this feature.</small>	Notes <small>(15) Compatible with "CD" and "HCD" drivers. Integrated options must be used in conjunction with the associated system and may not be compatible with other options or accessories. Please refer to the following: (A) Consult WaveLinX system pages for additional details and compatibility. (B) WaveLinX Lite devices are not currently compatible with the WaveLinX Wireless Area Controller. Consult WaveLinX Lite system pages for additional details and compatibility. (D) Consult SPVD series system pages for additional details and compatibility.</small>		Notes <small>(D) Consult SPVD series system pages for additional details and compatibility. (18) Accessories sold separately will be separately analyzed under domestic preference requirements. Consult factory for further information.</small>	

Product Specifications

Construction

- Channel is die formed cold rolled steel with numerous KOs for ease of installation and is available in standard and continuous row options
- Channel/wireway cover securely holds to the housing with sheet metal screws. Exterior end plate is used as a continuous row aligner
- Decorative white injection molded end and mid-caps are provided to house the integrated controls. Wireway channel includes a groove for use the standard hanging accessories from the SN strips family.

Controls

- 0-10V dimming to 10% standard
- Optional 1% dimming available
- WaveLinX wireless fixture for sensor-less wireless control
- WaveLinX wireless sensor compatible for standalone, controlled, connected, and IoT capability
- SVPD sensor compatible for standalone functionality
- Low-voltage sensor and driver compatible for DLVP applications
- DALI 2.0, Lutron, and step-dimming available.

Electrical

- Long-Life LED system coupled with sensor enabled electronic drivers deliver optimal lighting performance
- LED's available in 3000K, 3500K, 4000K, or 5000K with a CRI \geq 80
- Projected life at 70% lumen maintenance is up to 170,000 hours with TM21 ratings of L82 > 60,000 hours
- Drivers available in 120-277V, 347V, and 480V

Emergency Battery Pack Option

- Optional 120V-277V integral emergency battery pack is available in 7-watts or 14-watts to meet critical life-safety lighting requirements
- The 90-minute batteries provide constant power to the LED system, ensuring codecompliance
- A test switch/indicator button can be tested safely from the ground using a laser pointer, while the patented EZKey prevents accidental discharge of the battery during construction
- Emergency/generator transfer options available – see ordering information for details

Finish

- Highly reflective post painted finish (PAF) provides optimal performance and handling
- Housing is treated with a multistage iron phosphate pretreatment, ensuring maximum bonding and rust inhibition
- Opaque end and mid-caps are molded in color to match the paint and have a smooth pleasing appearance

Channel/Wireway Cover

- Die formed heavy gauge steel with end plates that can be removed for continuous rows or to enable wiring through KO
- Formed tabs retain the lenses without the need for separate lens clips.
- Sensor coverage patterns and application versatility is enabled by factory wiring using quick connects allowing up to three drivers to be connected to each sensor
- See notes for additional details.

Shielding

- Lenses are specially designed for LED with lens blends and linear optics to enable three different distributions: - LC (clear for optimal efficacy), LN (semi-frost with narrow distribution) and LW (full frost with wide distribution).
- These lenses provide different lighting distributions allowing customers to meet their unique needs with smooth even illumination
- Lens is securely held in place by removable injection-molded white end caps and onto the channel with built in lens retainers
- End and mid-caps are easily removed without tools for installation and maintenance

Compliance

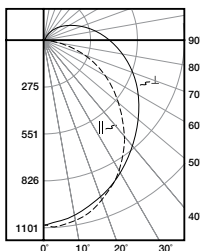
- Luminaires are cULus listed for -20° C to 40° C ambient environments, damp location listed, and comply with IESNA LM-79 and LM-80 standards
- LM80 and Life values are typical values measured in laboratory at 25° C
- DesignLights Consortium® Qualified and classified for both DLC Standard and DLC Premium, refer to www.designlights.org for details
- Suitable for use in clothes closets when installed in accordance with the NEC 410.16 spacing requirements

Warranty

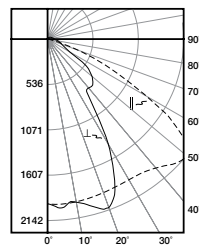
- Five year warranty

Photometric Data

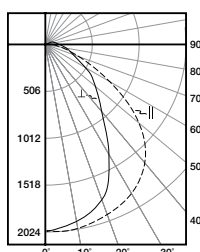
 [View IES files](#)



4SRL-LD5-41SL-LW-UNV-L835-CD1-U
 Electronic Driver
 Linear LED 3500K
 Spacing criterion: (II) 1.2 x mounting height,
 (⊥) 1.23 x mounting height
 Lumens: 4188
 Input Watts: 33.7W
 Efficacy: 124 lm/W
 Test Report: 4SRL-LD5-41SL-LW-UNV-L835-CD1-U.IES



4SRL-LD5-47SL-LC-UNV-L835-CD1-U
 Electronic Driver
 Linear LED 3500K
 Spacing criterion: (II) 1.54 x mounting height,
 (⊥) 1.13 x mounting height
 Lumens: 4688
 Input Watts: 33.7W
 Efficacy: 139.1 lm/W
 Test Report: 4SRL-LD5-47SL-LC-UNV-L835-CD1-U.IES



4SRL-LD5-46SL-LN-UNV-L835-CD1-U
 Electronic Driver
 Linear LED 3500K
 Spacing criterion: (II) 1.35 x mounting height,
 (⊥) 1.04 x mounting height
 Lumens: 4596
 Input Watts: 33.7W
 Efficacy: 136.4 lm/W
 Test Report: 4SRL-LD5-46SL-LN-UNV-L835-CD1-U.IES

Wattage

Notes: These values are for 3500K at an input voltage at 120V.
*Sensor options not shown and do not affect lumen output.

Lens Type	Length	Catalog Logic*	Lumens	Watts	Efficacy (lm/W)
Full Frost (LW)	4 ft.	4SRL-LD5-27SL-LW-UNV-L835-CD1-U	2686	20.2	133
Full Frost (LW)	4 ft.	4SRL-LD5-30SL-LW-UNV-L835-CD1-U	3037	23.2	131
Full Frost (LW)	4 ft.	4SRL-LD5-34SL-LW-UNV-L835-CD1-U	3459	26.9	129
Full Frost (LW)	4 ft.	4SRL-LD5-37SL-LW-UNV-L835-CD1-U	3765	29.6	127
Full Frost (LW)	4 ft.	4SRL-LD5-41SL-LW-UNV-L835-CD1-U	4188	33.7	124
Full Frost (LW)	4 ft.	4SRL-LD5-44SL-LW-UNV-L835-CD1-U	4487	36.7	122
Full Frost (LW)	4 ft.	4SRL-LD5-47SL-LW-UNV-L835-CD1-U	4778	39.9	120
Full Frost (LW)	4 ft.	4SRL-LD5-50SL-LW-UNV-L835-CD1-U	5065	43.1	118
Full Frost (LW)	4 ft.	4SRL-LD5-54SL-LW-UNV-L835-CD1-U	5478	47.0	116
Full Frost (LW)	8 ft.	8SRL-LD5-54SL-LW-UNV-L835-CD1-U	5372	40.3	133
Full Frost (LW)	8 ft.	8SRL-LD5-61SL-LW-UNV-L835-CD1-U	6125	46.2	133
Full Frost (LW)	8 ft.	8SRL-LD5-67SL-LW-UNV-L835-CD1-U	6744	53.7	126
Full Frost (LW)	8 ft.	8SRL-LD5-74SL-LW-UNV-L835-CD1-U	7466	57.3	130
Full Frost (LW)	8 ft.	8SRL-LD5-82SL-LW-UNV-L835-CD1-U	8376	67.4	124
Full Frost (LW)	8 ft.	8SRL-LD5-88SL-LW-UNV-L835-CD1-U	8808	73.4	120
Full Frost (LW)	8 ft.	8SRL-LD5-95SL-LW-UNV-L835-CD1-U	9530	79.7	120
Semi Frost (LN)	4 ft.	4SRL-LD5-29SL-LN-UNV-L835-CD1-U	2947	20.2	146
Semi Frost (LN)	4 ft.	4SRL-LD5-33SL-LN-UNV-L835-CD1-U	3332	23.2	144
Semi Frost (LN)	4 ft.	4SRL-LD5-38SL-LN-UNV-L835-CD1-U	3795	26.9	141
Semi Frost (LN)	4 ft.	4SRL-LD5-41SL-LN-UNV-L835-CD1-U	4131	29.6	140
Semi Frost (LN)	4 ft.	4SRL-LD5-46SL-LN-UNV-L835-CD1-U	4595	33.7	136
Semi Frost (LN)	4 ft.	4SRL-LD5-49SL-LN-UNV-L835-CD1-U	4923	36.7	134
Semi Frost (LN)	4 ft.	4SRL-LD5-52SL-LN-UNV-L835-CD1-U	5242	39.9	132
Semi Frost (LN)	4 ft.	4SRL-LD5-55SL-LN-UNV-L835-CD1-U	5557	43.1	129
Semi Frost (LN)	4 ft.	4SRL-LD5-60SL-LN-UNV-L835-CD1-U	6010	47.0	128
Semi Frost (LN)	8 ft.	8SRL-LD5-60SL-LN-UNV-L835-CD1-U	5894	40.3	146
Semi Frost (LN)	8 ft.	8SRL-LD5-67SL-LN-UNV-L835-CD1-U	6720	46.2	145
Semi Frost (LN)	8 ft.	8SRL-LD5-74SL-LN-UNV-L835-CD1-U	7399	53.7	138
Semi Frost (LN)	8 ft.	8SRL-LD5-82SL-LN-UNV-L835-CD1-U	8192	57.3	143
Semi Frost (LN)	8 ft.	8SRL-LD5-92SL-LN-UNV-L835-CD1-U	9190	67.4	136
Semi Frost (LN)	8 ft.	8SRL-LD5-96SL-LN-UNV-L835-CD1-U	9664	73.4	132
Semi Frost (LN)	8 ft.	8SRL-LD5-104SL-LN-UNV-L835-CD1-U	10456	79.7	131
Clear (LC)	4 ft.	4SRL-LD5-30SL-LC-UNV-L835-CD1-U	3007	20.2	149
Clear (LC)	4 ft.	4SRL-LD5-34SL-LC-UNV-L835-CD1-U	3400	23.2	147
Clear (LC)	4 ft.	4SRL-LD5-38SL-LC-UNV-L835-CD1-U	3872	26.9	144
Clear (LC)	4 ft.	4SRL-LD5-42SL-LC-UNV-L835-CD1-U	4214	29.6	142
Clear (LC)	4 ft.	4SRL-LD5-47SL-LC-UNV-L835-CD1-U	4688	33.7	139
Clear (LC)	4 ft.	4SRL-LD5-50SL-LC-UNV-L835-CD1-U	5023	36.7	137
Clear (LC)	4 ft.	4SRL-LD5-53SL-LC-UNV-L835-CD1-U	5348	39.9	134
Clear (LC)	4 ft.	4SRL-LD5-56SL-LC-UNV-L835-CD1-U	5670	43.1	132
Clear (LC)	4 ft.	4SRL-LD5-61SL-LC-UNV-L835-CD1-U	6132	47.0	130
Clear (LC)	8 ft.	8SRL-LD5-61SL-LC-UNV-L835-CD1-U	6013	40.3	149
Clear (LC)	8 ft.	8SRL-LD5-68SL-LC-UNV-L835-CD1-U	6856	46.2	148
Clear (LC)	8 ft.	8SRL-LD5-75SL-LC-UNV-L835-CD1-U	7549	53.7	141
Clear (LC)	8 ft.	8SRL-LD5-83SL-LC-UNV-L835-CD1-U	8358	57.3	146
Clear (LC)	8 ft.	8SRL-LD5-94SL-LC-UNV-L835-CD1-U	9376	67.4	139
Clear (LC)	8 ft.	8SRL-LD5-98SL-LC-UNV-L835-CD1-U	9860	73.4	134
Clear (LC)	8 ft.	8SRL-LD5-106SL-LC-UNV-L835-CD1-U	10668	79.7	134

Shipping Data

Length	Wt.
4 ft., 8 in.	8.2 lbs.
8 ft., 8 in.	15.1 lbs.

Control Systems

- WaveLinX Wireless
- WaveLinX Wired
- WaveLinX Lite
- DLVP
- VividTune



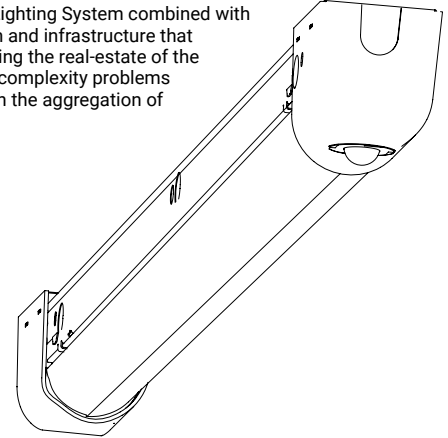
Connected Systems
[CLICK HERE](#)

The SRL with Integrated Sensor technology provides automatic energy savings without sacrificing performance. The SRL delivers superior lighting with integrated occupancy and daylighting controls.

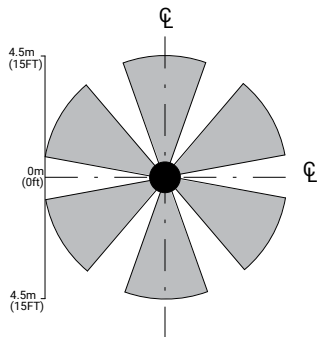
For standalone and controlled applications, the WaveLinX Lite integral sensor provides out-of-the-box functionality with no gateways required and factory startup is not needed.

When more connectivity is required, the WaveLinX Wireless sensor meets modern code and utility requirements, delivers energy and cost savings, while enabling buildings to become smart buildings.

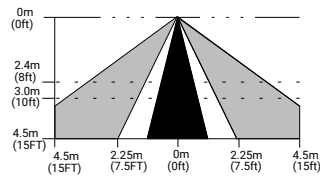
The WaveLinX Wireless Connected Lighting System combined with Trellix provides an open IoT platform and infrastructure that connects intelligent sensors leveraging the real-estate of the physical light fixture to solve higher complexity problems to deliver actionable insights through the aggregation of valuable data.



TOP VIEW:



SIDE VIEW:



Note: Installation of integrated sensors within 3-ft (1m) of HVAC air vents is not recommended. The pattern shown is intended solely as a general guide and is not to scale.

Systems comparison chart

Cooper Lighting Solutions provides many lighting system solutions designed to satisfy code requirements and meet the unique needs of any project.



Standalone



Controlled
WaveLinX Lite



Connected
WaveLinX Pro



Enterprise
Trellix

	Standalone	Controlled WaveLinX Lite	Connected WaveLinX Pro	Enterprise Trellix
Occupancy	Yes	Yes	Yes	Yes
Daylighting	Yes	Yes	Yes	Yes
Gateways	-	-	1 WAC	300 WACs
Devices	-	50 per Area (1400 per site)	150 per WAC	32,500 per Core Enterprise
Software	-	WaveLinX Lite Mobile App	WaveLinX Pro Mobile App	Trellix Core
Areas	-	28 per Site	50 per WAC	up to 3,000
Zones	-	16 per Area	16 per Area	up to 9,000
Scheduling	-	-	Local	Global
VividTune™	-	-	Yes	Yes
Plug-Load Control	-	-	Yes	Yes
Low-Voltage Power	-	-	Yes	Yes
Integration	-	-	-	BACnet, API
Dashboards	-	-	-	Energy, Occupancy
Configuration	-	Installer	Technician	Technician / IT

SCALABILITY

devices

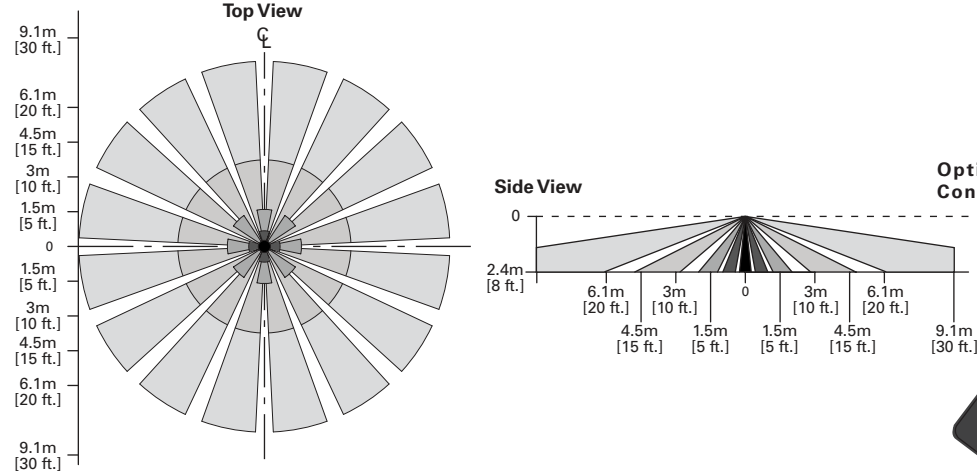
areas

floors

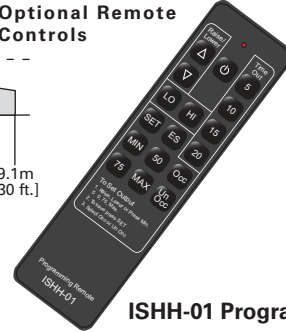
buildings

SVPD Sensor Cover Patterns

SVPD2 Coverage Pattern

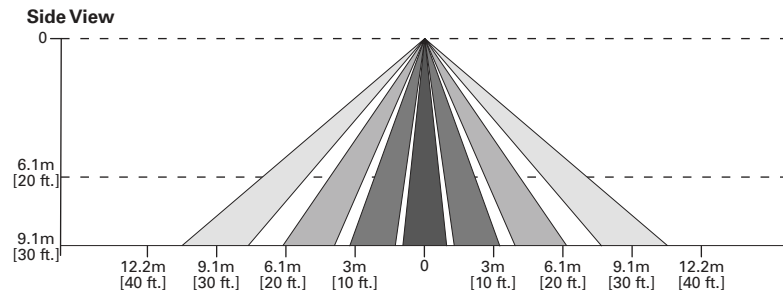


Optional Remote Controls



ISHH-01 Programming Remote

SVPD3, SVP3 Coverage Pattern



ISHH-02 Personal Control Remote

Dimensional and Mounting Details Continued

