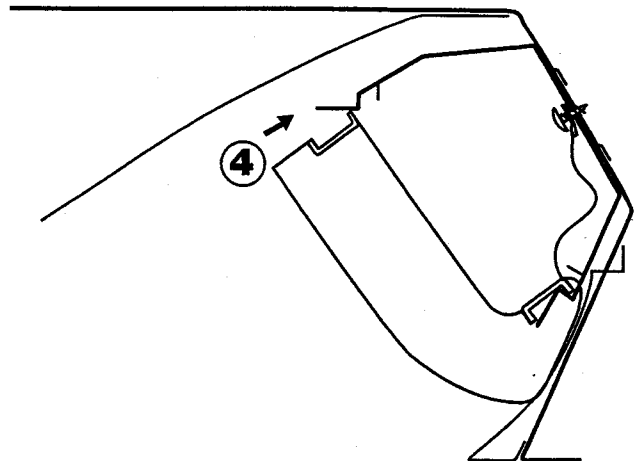
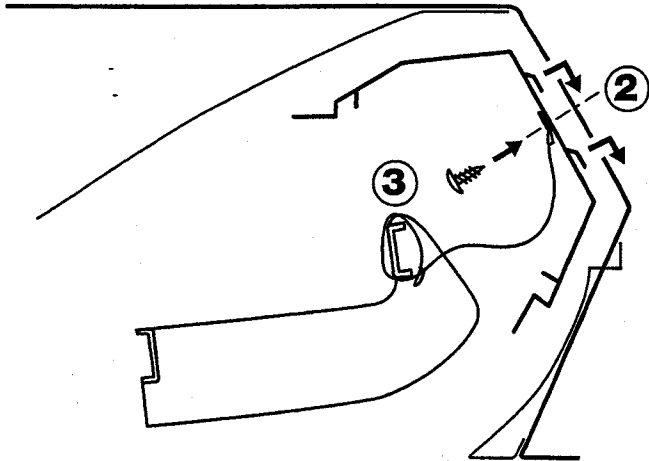


RWW OPTICAL ACCESSORY - INSTALLATION INSTRUCTIONS

*TBW Baffle shown. Installation of other optical accessories is identical.

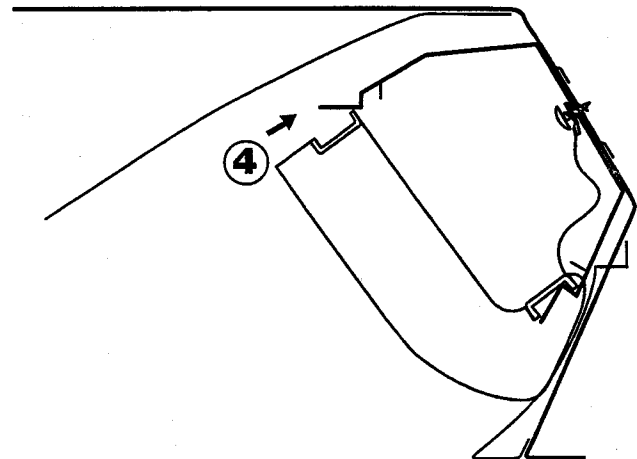
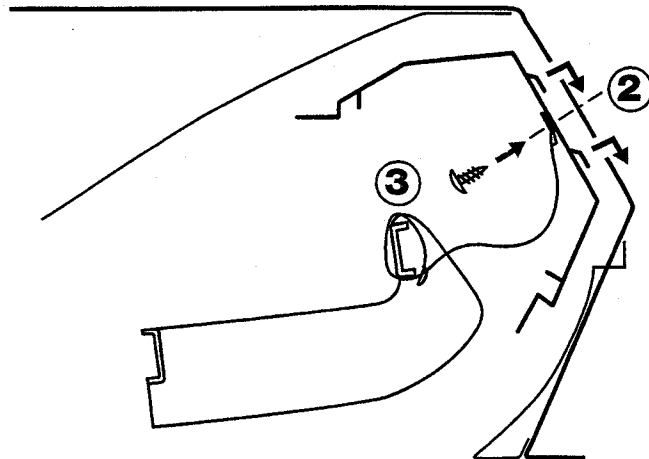


- STEP 1 - Remove Lamp(s).
- STEP 2 - Orient support clip as shown (with longer leg above) and align tabs with housing openings along back of lamp chamber. Insert support clip tabs through openings and slide downward to lock in place. Repeat for all clips. (2' Accessories use two clips. 4' accessories use three clips)
- STEP 3 - Orient optical accessory (baffle, lens, etc.) as shown. Secure screw into housing through eyelet of safety cable and support clip as shown. Repeat for each clip/cable. (Note, center clip of 4' accessories have no cable.)
- STEP 4 - Insert lower lip of optical accessory (baffle, lens, etc.) into lower support clip catch and rotate accessory up to lock into upper clip catch.
- STEP 5 - Adjust orientation of safety cable to provide optimum concealment and replace lamps(s).

0590-B256

RWW OPTICAL ACCESSORY - INSTALLATION INSTRUCTIONS

*TBW Baffle shown. Installation of other optical accessories is identical.



- STEP 1 - Remove Lamp(s).
- STEP 2 - Orient support clip as shown (with longer leg above) and align tabs with housing openings along back of lamp chamber. Insert support clip tabs through openings and slide downward to lock in place. Repeat for all clips. (2' Accessories use two clips. 4' accessories use three clips)
- STEP 3 - Orient optical accessory (baffle, lens, etc.) as shown. Secure screw into housing through eyelet of safety cable and support clip as shown. Repeat for each clip/cable. (Note, center clip of 4' accessories have no cable.)
- STEP 4 - Insert lower lip of optical accessory (baffle, lens, etc.) into lower support clip catch and rotate accessory up to lock into upper clip catch.
- STEP 5 - Adjust orientation of safety cable to provide optimum concealment and replace lamps(s).

0590-B256