

RCG LED
Linear Recessed Slot Luminaire

Metalux





RCG LED Linear Recessed



See your space in a new light. Metalux RCG LED luminaires are constructed with architectural grade elements to deliver aesthetic appeal desired by architects and designers. The optical system provides energy efficient lighting so versatile that it can be used for general lighting or special applications such as wall washing. Designed for the most common grid ceiling systems, the RCG LED simplifies installation by leveraging Metalux installation features that contractors know and trust. The RCG LED is the ideal linear recessed fixture for use in premier office spaces, primary and secondary schools, and retail merchandising.

Easy to install slot fixture – contractor friendly wiring features

4' and 8' recessed versions available

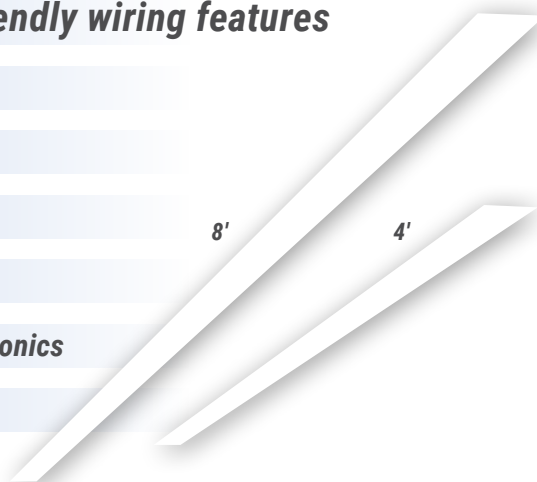
High performance efficacy up to 121 lm/W

Symmetric and asymmetric distributions

80 and 90CRI @ 3000K, 35000K, 4000K CCT

Service from below – room side access to electronics

Integrated sensors with IoT Connectivity



Compliance and approvals



**Lasts
44
Years**

Integrated sensor controls

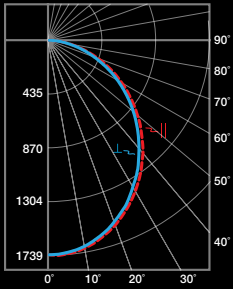


Take code compliance, network security, and energy savings into your own hands.

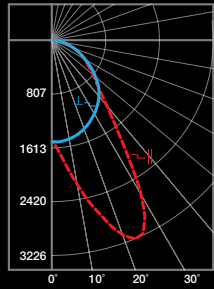
Metalux RCG LED luminaires are available with integrated wireless sensors to simplify the controls installation, enable automatic code compliance and transmit key building data. These systems offer enhanced features to deliver value beyond lighting.

Connected lighting system

| |
|--|
| Integrated sensors factory wired and tested |
| Simplicity - The lighting plan is the controls plan |
| WaveLinx Wireless Connected Lighting System |
| SVPD Integrated Sensor System |
| Enlighted Wireless Connected Lighting System |



General Downlighting
8RCG-4-56D-L835
 Lumens: 4469
 Input Watts: 37.2W
 Efficacy: 120.1 LPW



Asymmetric
8RCG-4-56D-L835-A
 Lumens: 4598
 Input Watts: 37.2W
 Efficacy: 123.6 LPW



Construction

Recessed 4 ft. and 8 ft. sections

Aperture/Grid: 3 inch nominal aperture with 4 inch grid spacing

Field interchangeable/replaceable lenses

EQ grid clips pre-installed to simplify installation

End plates optimized for simple row installation

14 AWG wires included; 185-555 feet between electrical drops

Matte white paint after fabrication finish standard

cULus damp location / IC rated / RoHS compliant / DLC qualified

Five year warranty standard, 10 year available

Performance

High performance efficacy up to 121 lumens per watt

Energy savings more than 50% compared to traditional fluorescent linear-recessed

0-10V dimming to 1% standard

TM21 life >L84@ 60,000 hours and L70 rating exceeds 162,000 hours

Binning: Per ANSI, 3-step MacAdam ellipse

Options

Four stock SKU in 3500K and 4000K in 80 CRI and 560 lumens per foot:

4' 4RCG-4-56D-L835-U 8' 8RCG-4-56D-L835-U
 4RCG-4-56D-L840-U 8RCG-4-56D-L840-U

Additional packages offered as MTO up to 1000 lumens per foot (over 8000 lumens per 8 ft. fixture)

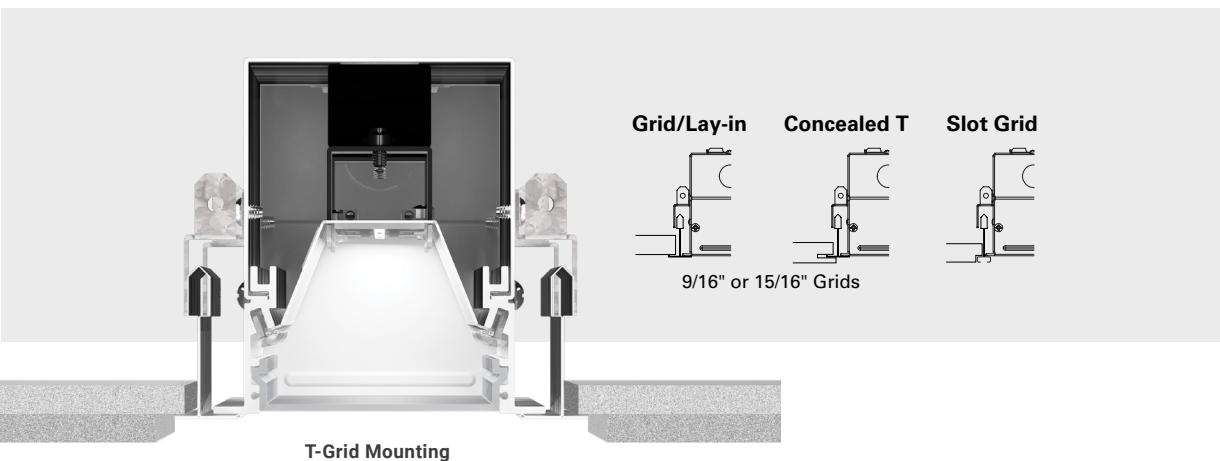
Lutron and DALI 2.0 control options

Frosted flush symmetric or frosted flush asymmetric lenses from factory or install in field

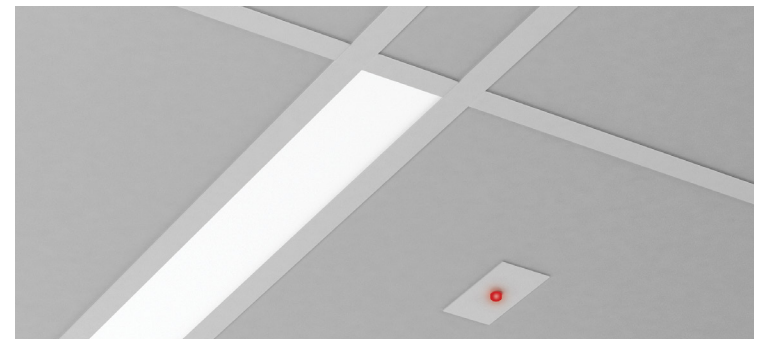
Universal (120V – 277V) or 347V

Emergency – EL7W and EL14W with remote indicator to maintain aesthetic appeal

Ceiling compatibility



Remote Battery Option



Lighting Brands

Ametrix
AtLite
Corelite
Ephesus
Fail-Safe
Halo
Halo Commercial
Invue
io
Iris
Lumark
Lumière
McGraw-Edison
Metalux
MWS
Neo-Ray
Portfolio
RSA
Shaper
Streetworks
Sure-Lites

Controls Brands

Greengate
Fifth Light

Connected Lighting Systems

HALO Home
WaveLinx

IoT Platform

Trellix



Cooper Lighting Solutions
1121 Highway 74 South
Peachtree City, GA 30269
P: 770-486-4800
www.cooperlighting.com

Canada Sales
5925 McLaughlin Road
Mississauga, Ontario L5R 1B8
P: 905-501-3000
F: 905-501-3172

© 2020 Cooper Lighting Solutions
All Rights Reserved
Printed in USA
Publication No. BR519043EN
January 27, 2021 1:05 PM

Cooper Lighting Solutions is a registered trademark.

All other trademarks are property of their respective owners.

Product availability, specifications, and compliances are subject to change without notice.