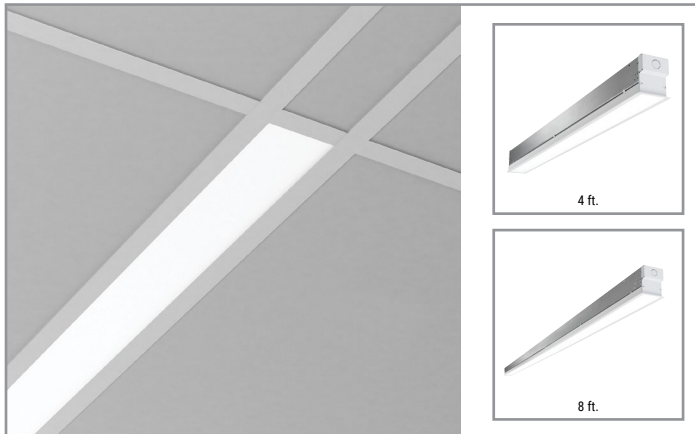


Project		Catalog #		Type	
Prepared by		Notes		Date	



Metalux

RCG LED

Linear Recessed

Typical Applications

Office • School • Healthcare • Retail

Interactive Menu

- Order Information [page 2](#)
- Photometric Data [page 3](#)
- Energy and Performance Data [page 3](#)
- Control Solutions [page 4](#)
- Connected Systems [page 4](#)
- Product Warranty

Product Certification



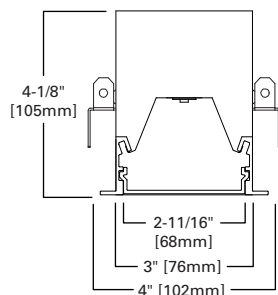
Product Features



Top Product Features

- 4" linear system with superior performance and architectural appeal
- 4' and 8' lengths available with up to 1000 lumens per foot
- Unique endcap simplifies installation in rows or individual mounting
- 3000K, 3500K, 4000K CCT at 80 or 90 CRI
- UNV 0-10V 1% dimming standard with Lutron and Dali control options
- Options to meet Buy American Act requirements

Dimensions



[additional product diagrams](#)

Order Information

SAMPLE ORDER NUMBER: **8RCG-4-56D-L835-U**

Domestic Preferences	Rating	Length	Series	Grid Space Width (in)	Lumens	Efficacy	Lens	Voltage	Emergency
[Blank]=Standard BAA=Buy American Act	[Blank]=Standard ATW-SW4=Chicago Rated	4=4' 8=8'	RCG	4=4" grid, <3" aperture	34D=340 Lms/ft 56D=560 Lms/ft 78D=775 Lms/ft 100D=1000 Lms/ft	[Blank]=Standard	[Blank]=Frost Flush Lens (Standard) A=Asymmetric Flush Lens	[Blank]= UNV (120-277V) 347=347V) ⁽¹⁾	[Blank]=None EL7W=7-watt, 120V-277V emergency battery pack installed EL14W=14-watt 120V-277V emergency battery pack installed
Notes (6) Only product configurations with this designated prefix are built to be compliant with the Buy American Act of 1933 (BAA). Please refer to DOMESTIC PREFERENCES website for more information. Components shipped separately may be separately analyzed under domestic preference requirements.								Notes (1) 347 volt options only available with standard 0-10V driver.	Notes (2) With integral test switch/indicator/laser test. For approximate delivered lumens multiply the lumens per watt of the desired fixture by the wattage of the emergency battery pack (100 lm/W x 7=700 lumens). Battery section is 4' and located in the first half of an 8' fixture. Battery is remote mounted with ATW-SW4 option. The indicator and test switch is mounted externally in a separate J-box with flex conduit.

CRI/CCT	Driver	Number of Drivers	Sensor	Circuits
L830=80CRI, 3000K L835=80CRI, 3500K L840=80CRI, 4000K L930=90CRI, 3000K L935=90CRI, 3500K L940=90CRI, 4000K	[Blank]=HCD 1% 0-10V Dimming Driver 5LTD=Fifth Light DALI Driver (5%-100% Dimming) ^(E) LH=Lutron HiLume (LDE1 series) 1%-100% EcoSystem Driver with Soft-on Fade to Black dimming ^(F) L5=Lutron 5 Series (LDE5-Series) 5%-100% EcoSystem Driver ^(F)	[Blank]=1 on 4 ft. fixture, 2 on 8 ft. fixture	[Blank]=None WAA=WaveLinX Wireless Integrated Sensor ^(A) SVPD1=0-10V Stand-alone Integrated Sensor ^(B)	[Blank]=None ⁽⁵⁾ PI/CPI Options=Submit PDR for continuous rows greater than listed in performance section below
Notes (E) Consult Fifth Light system pages for additional details and compatibility. (F) Consult Marketplace Options - Lutron system pages for additional details and compatibility. Compatible only with driver series shown, and may require two or more drivers. Requires field commissioning to operate or dim. Contact Lutron at www.lutron.com .		Notes (3) Sensor options are only available with standard (Blank) driver option. Integral sensors available with flush frost lens only. (A) Consult WaveLinX system pages for additional details and compatibility. (B) Consult SVPD series system pages for additional details and compatibility.		Notes (5) Product is equipped with full length 14 gauge hot, neutral and ground wires with connectors to enable end to end wiring. Runs up to 185 feet at the highest output can be supported without additional PI/CPI wiring. For continuous runs greater than those listed in the performance details below, PI/CPI harness is required.

Flange Type	Flange Color	Packaging	Accessories / Replacement Parts
[Blank]=Universal Flange	[Blank]=Matte White	U=Unit Pack	4RCG-4-A-LENS=4' Asymmetric lens 8RCG-4-A-LENS=8' Asymmetric lens 4RCG-4-F-LENS=4' Flush lens 8RCG-4-F-LENS=8' Flush lens RCG-4-END=RCG4 end cap (replacement) RCG-LENSTOOL=RCG4 lens removal tool RCG-4-GRIDCLIP=Earthquake grid clips kit - 4 per bag kit (replacement) RCG-DWK=Drywall Kit
Notes (4) Accessories sold separately will be separately analyzed under domestic preference requirements. Consult factory for further information.			

Product Specifications

Construction

- Extruded aluminum rails with code-gauge sheet metal housing
- Sheet metal endcaps with KO and offset for "troffer-like" through wiring for easy row mounting
- Nominal 4' and 8' illuminated sections
- Narrow aperture (under 3") with 4 inch grid spacing
- These fixtures may have MWS (Modular Wiring System) added. Consult factory for details.

Integrated Controls

- 0-10V dimming to 1% standard
- WaveLinX sensor compatible for IoT capability
- SVPD sensor compatible for out of the box functionality
- DALI 2.0 and Lutron available

LED and Light Engine

- LED's available in 3000K, 3500K, or 4000K at 80 CRI minimum and 90 CRI minimum

Emergency Battery Options

- Optional 120-277V emergency battery available in 7W or 14W
- 90-minute backup period for code compliance
- Test switch with laser pointer and testing from floor feature for ease of use
- EZ Key feature prevents accidental discharge during construction

Finish

- Full fixture housing, endplates and rails are painted after fabrication
- Fixture housing is white, electrostatically applied, polyester powder coat paint
- Aluminum rails are matte-white

Shielding

- Frosted flush lens standard
- Optional frosted flush asymmetric lens (A option) available from factory or as accessory for field installation where needed

Compliance

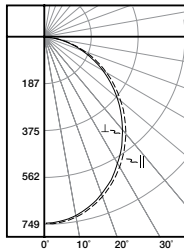
- IC rated for insulation contact
- cULus listed for damp locations
- RoHS compliant
- NYC compliant
- Tested to IESNA LM-79 and LM-80
- Stated life tested to TM21 standards
- Can be used for State of California Title 24 high efficacy luminaire

Warranty

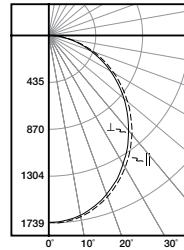
- Five year warranty standard.

Photometric Data

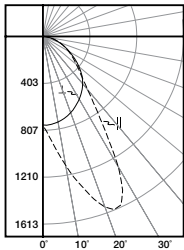
 View IES files



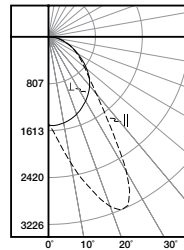
4RCG-4-56D-L835-U
 Dimming Driver
 Linear LED 3500K
 Spacing criterion: (||) 1.2 x mounting height,
 (⊥) 1.17 x mounting height
 Lumens: 2234
 Input Watts: 18.6W
 Efficacy: 120.1 LPW
 Test Report: 4RCG-4-56D-L835-U.IES



8RCG-4-56D-L835-U
 Dimming Driver
 Linear LED 3500K
 Spacing criterion: (||) 1.2 x mounting height,
 (⊥) 1.17 x mounting height
 Lumens: 4469
 Input Watts: 37.2W
 Efficacy: 120.1 LPW
 Test Report: 8RCG-4-56D-L835-U.IES



4RCG-4-56D-L835-A-U
 Dimming Driver
 Linear LED 3500K
 Spacing criterion: (||) 1.37 x mounting height,
 (⊥) 1.23 x mounting height
 Lumens: 2299
 Input Watts: 18.6W
 Efficacy: 123.6 LPW
 Test Report: 4RCG-4-56D-L835-A-U.IES



8RCG-4-56D-L835-A-U
 Dimming Driver
 Linear LED 3500K
 Spacing criterion: (||) 1.37 x mounting height,
 (⊥) 1.23 x mounting height
 Lumens: 4598
 Input Watts: 37.2W
 Efficacy: 123.6 LPW
 Test Report: 8RCG-4-56D-L835-A-U.IES

Energy and Performance Data

Energy and Performance Data by Catalog Number

Stock Catalog Number	UPC Number	Total Length	CCT	Total Lumens	Total Watts	Lm/W
4RCG-4-56D-L835-U	80083877133	4'	3500K	2234	18.6	120
8RCG-4-56D-L835-U	80083877140	8'	3500K	4469	37.2	120
4RCG-4-56D-L840-U	80083877119	4'	4000K	2254	18.6	121
8RCG-4-56D-L840-U	80083877126	8'	4000K	4514	37.2	121

Lumen Adjustment Factors

CCT	80CRI	90CRI
3000K	0.943	0.815
3500K	1.000	0.861
4000K	1.010	0.892

Performance Per Linear Foot at 3500K/80CRI

Catalog Number	Nominal Lumen Output	Standard Light Engine	Current per foot (mA) @ 120V/277V		Maximum continuous run length (FT)	
			120V	277V		
34D	340 lms/ft	2.9 W/ft	118 lm/W	27	13	555
56D	560 lms/ft	4.7 W/ft	120 lm/W	43	21	348
78D	775 lms/ft	6.6 W/ft	119 lm/W	60	29	250
100D	1000 lms/ft	8.7 W/ft	118 lm/W	81	37	185

Example Lumen Adjustment Calculations

8RCG-4-56D-L935-U, 90CRI at 3500K
 Lumen Adjustment Factor = 0.861
 Total Light Output =
 $4,469 \text{ lm} \times 0.861 = 3,848 \text{ lm}$
 Efficacy = $3,848 \text{ lm} / 37.2 \text{ W} = 103 \text{ lm/W}$

Lumen Maintenance

TM-21 Lumen Maintenance (60,000 hours) ⁽¹⁾	Theoretical L70 (Hours) ⁽²⁾
> 84%	> 162,000

Notes: (1) Supported by IES TM-21 standards.
 (2) Theoretical values represent estimations commonly used; however, refer to the IES position on LED Product Lifetime Prediction, IES PS-10-18, that explains proper use of IES TM-21 and LM-80.

Total Light Output Range (lms/ft)

CCT	80CRI	90CRI
3000K	320-943	277-815
3500K	340-1000	293-861
4000K	343-1010	303-892

Load Data (Stock Product)

	4'	8'
Thd	9%	
Power Factor	0.964	
Weight (lbs.)	10.6	15.8
Low Temp. Start	-20°C	

Control Systems

- WaveLinx Wireless
- WaveLinx Wired
- WaveLinx Lite
- DLVP
- VividTune



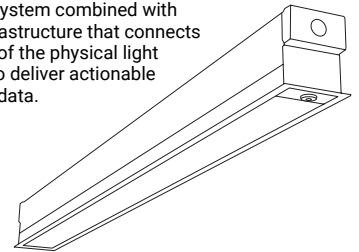
Connected Systems
[CLICK HERE](#)

The RCG with Integrated Sensor technology provides automatic energy savings without sacrificing performance. The RCG delivers superior lighting with integrated occupancy and daylighting controls.

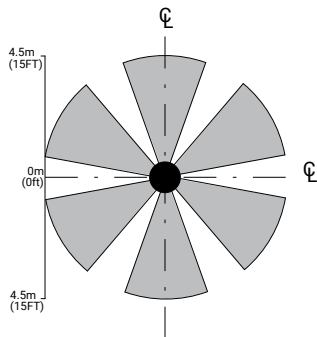
For standalone and controlled applications, the WaveLinx Lite integral sensor provides out-of-the-box functionality with no gateways required and factory startup is not needed.

When more connectivity is required, the WaveLinx Wireless sensor meets modern code and utility requirements, delivers energy and cost savings, while enabling buildings to become smart buildings.

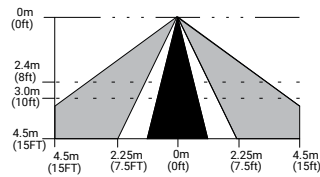
The WaveLinx Wireless Connected Lighting System combined with Trellix provides an open IoT platform and infrastructure that connects intelligent sensors leveraging the real-estate of the physical light fixture to solve higher complexity problems to deliver actionable insights through the aggregation of valuable data.



TOP VIEW:



SIDE VIEW:



Note: Installation of integrated sensors within 3-ft (1m) of HVAC air vents is not recommended. The pattern shown is intended solely as a general guide and is not to scale.

Systems comparison chart

Cooper Lighting Solutions provides many lighting system solutions designed to satisfy code requirements and meet the unique needs of any project.



Standalone



Controlled
WaveLinx Lite



Connected
WaveLinx Pro



Enterprise
Trellix

	Standalone	Controlled WaveLinx Lite	Connected WaveLinx Pro	Enterprise Trellix
Occupancy	Yes	Yes	Yes	Yes
Daylighting	Yes	Yes	Yes	Yes
Wallstations	-	Yes	Yes	Yes
Gateways	-	-	1 WAC	300 WACs
Devices (MAX)	-	50 per Area (1400 per site)	200 per WAC2	32,500 per Core Enterprise
Software	-	WaveLinx Lite Mobile App	WaveLinx Pro Mobile App	Trellix Core
Areas	-	28 per Site	50 per WAC2	up to 3,000
Zones	-	16 per Area	16 per Area	up to 9,000
Scheduling	-	-	Local	Global
VividTune™	-	-	Yes	Yes
Plug-Load Control	-	-	Yes	Yes
Low-Voltage Power	-	-	Yes	Yes
Integration	-	-	-	BACnet, API
Dashboards	-	-	-	Energy, Occupancy
Configuration	-	Installer	Technician	Technician / IT

SCALABILITY

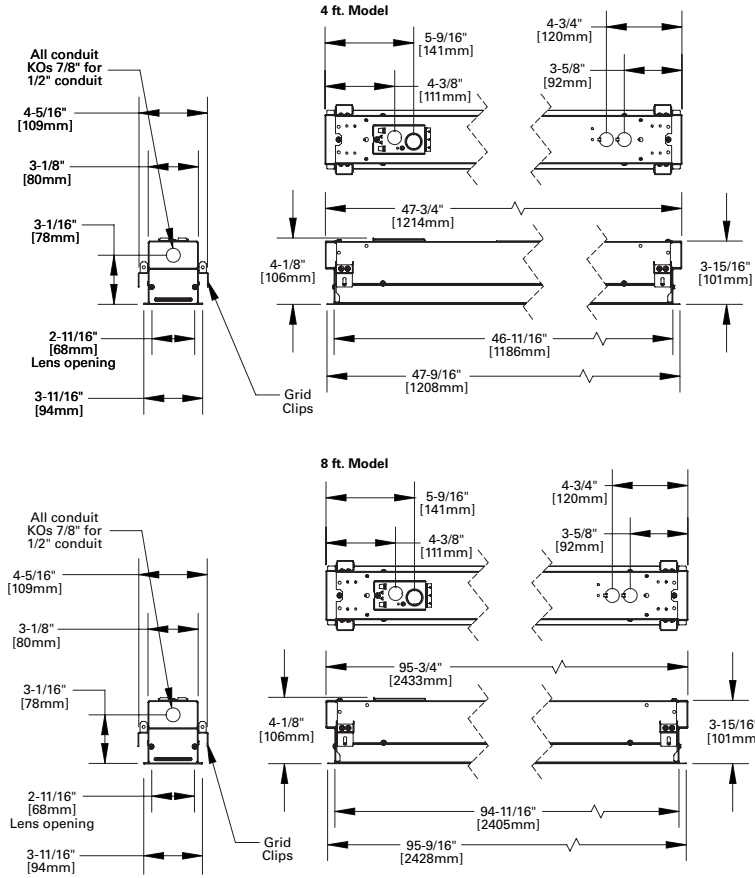
devices

areas

floors

buildings

Mounting Data



Ceiling Compatibility

