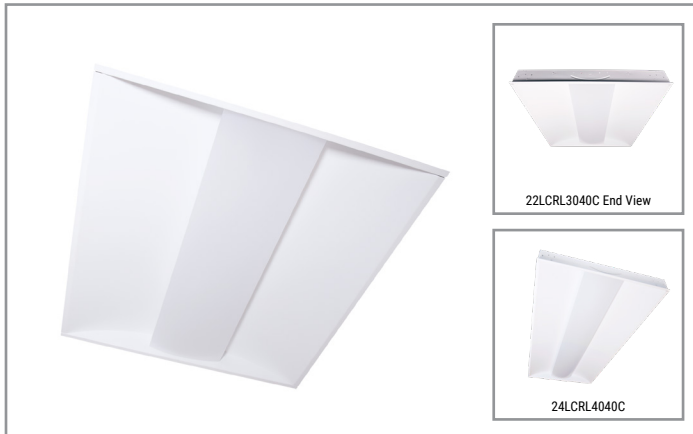


Project		Catalog #		Type	
Prepared by		Notes		Date	



Metalux

LCRL

Architectural LED Ribbed Lens Troffer

Typical Applications

Office • Education • Finished Basement • Recreation Room • Retail • Residential

Product Certification



Product Features



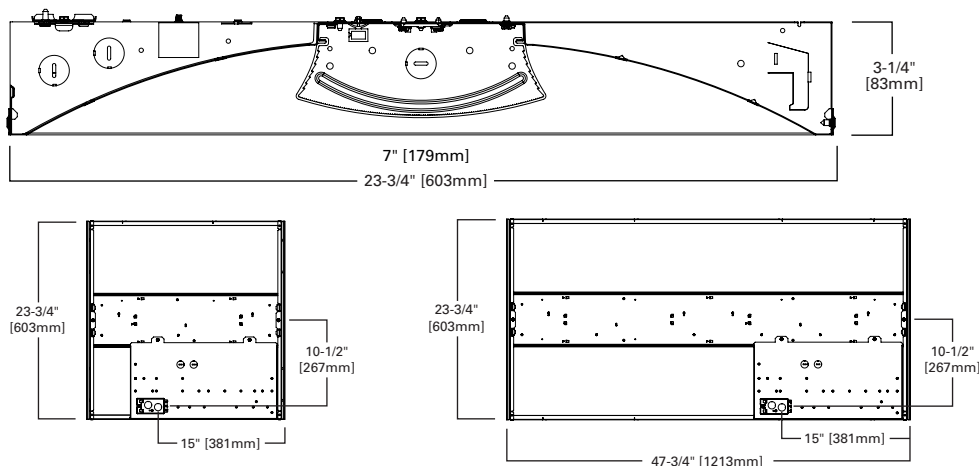
Interactive Menu

- Order Information page 2
- Product Warranty

Top Product Features

- Frost ribbed lens shielding provides for a contemporary design
- Replaces two T8 lamp fluorescents (64W equivalent)
- Latch-less design provides clean architectural look
- Long life LEDs can last 20 years or more
- Easy to install: Single person installation, with no special tools needed
- Options to meet Buy American and other domestic preference requirements

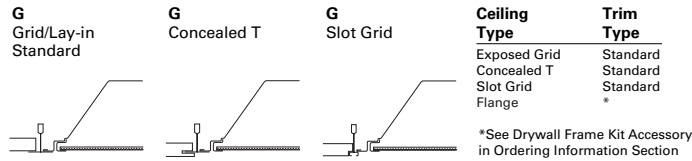
Dimensional and Mounting Details



Product Information

Catalog Number	Lumen	Wattage	UPC	Unit Weight	Pallet Quantity
22LCRL3040C	3,273	23	080083889877	12.5 lbs	48
24LCRL4040C	4,208	34.7	080083889884	27.1 lbs	26

Ceiling Compatibility



Accessories ⁽¹⁾

CZ2-EQCLIP-U-PK=T-BAR Safety Earthquake Clips (4 clips per bag) - Recommended for all 9/16" T-grid ceilings)

- **DF-22-W**=2' x 2' Drywall Frame Kit
- **SK-22-WS**=2' x 2' Shallow Surface Mount Kit
- **DF-24-W**=2' x 4' Drywall Frame Kit
- **SK-24-WS**=2' x 4' Shallow Surface Mount Kit
- **LENS-4FT-LCRL PK**=Replacement 4ft Lens
- **LENS-2FT-LCRL PK**=Replacement 2ft Lens

Notes: (1) Accessories sold separately will be separately analyzed under domestic preference requirements. Consult factory for further information.

Product Specifications

Construction

- Die formed code gauge steel with full length die-formed stiffeners
- Unibody endplates attached with interlocking tabs and screws
- Hemmed side flanges and four auxiliary fixture end suspension points
- Recessed lay-in installation. Fits standard T-grid systems
- Integral Grid-lock endplates mean an added safety feature

Electrical

- 120-277V electronic driver, Class A
- Standard 0-10V dimming to 10%
- 0-10V dimming uses low-voltage grey and purple wire leads

Shielding

- Ribbed acrylic frosted lens provides general area coverage and light distribution (8'x10')

LED and Light Engine

- 4000K CCT and minimum 80 CRI
- L94 at 60,000 rated life-hours (TM-21), or up to 27 years at 6 hrs/day.
- LED modules comply with IESNA LM-79 and LM-80 standards

Finish

- Matte white polyester powder coat finish

Compliance and Certifications

- cULus listed for damp location in 25°C ambient environments
- DesignLights Consortium Qualified, refer to www.designlights.org for details

Product Warranty

- 5-year warranty