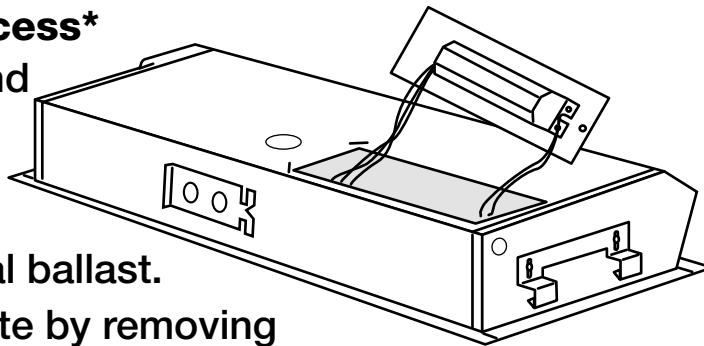


#17 RWW Instructions

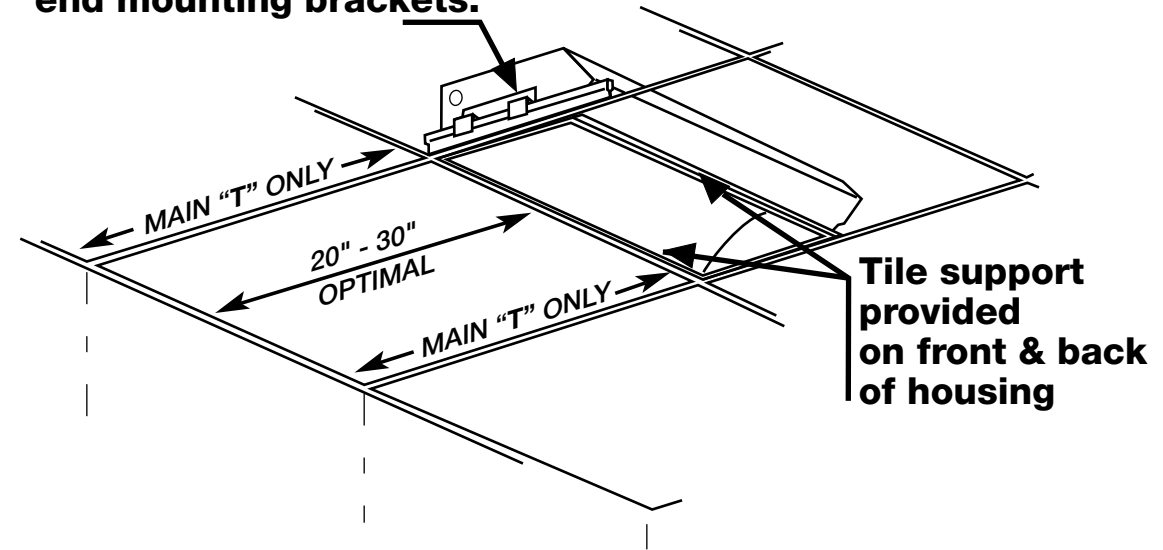
Above-Ceiling Ballast Access*

1. Remove screw at one end of ballast access plate.
2. Slip ballast access plate free of housing retention slots and lift out to reveal ballast.
3. Remove ballast from plate by removing ballast mounting screw and slipping ballast free of retention slots.



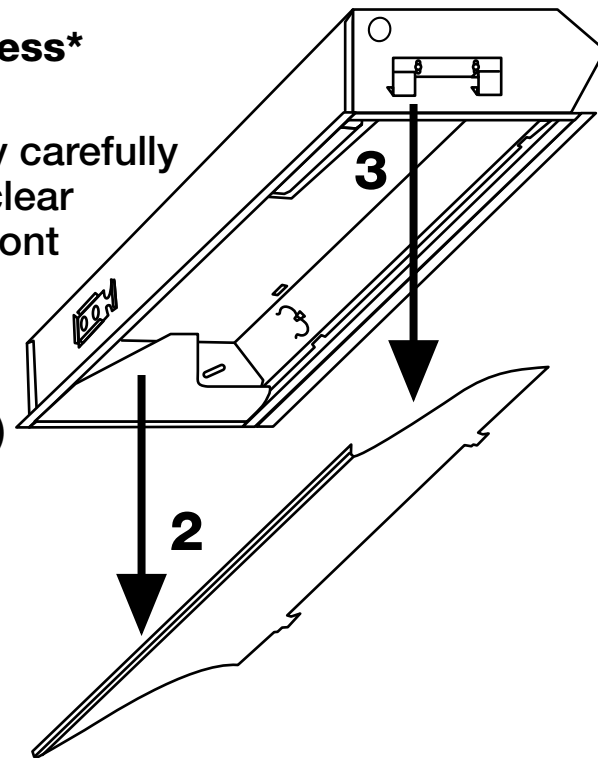
* Above-ceiling ballast access not available for multi-ballast, T5 or emergency-lighting models

Support fixture from end mounting brackets.

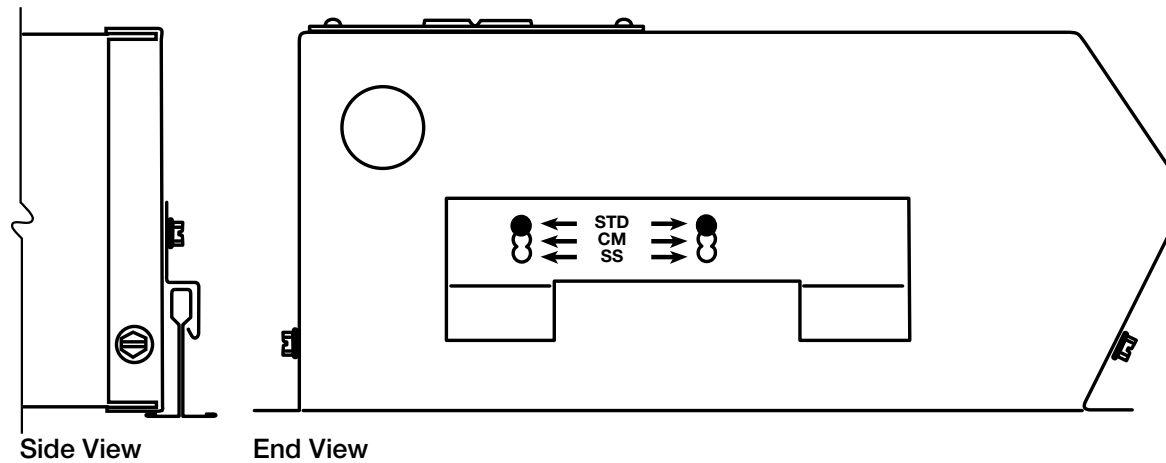


Below-Ceiling Ballast Access*

1. Remove lamp(s).
2. Remove main reflector by carefully pulling lower front edge clear of mounting tabs along front edge of housing.
3. Remove ballast(s) by removing ballast mounting screw(s) and slipping ballast free of retention slots.



* Illustration shows 24" model. Ballast access is identical for 48" models.



RWW END MOUNTING BRACKET LOCATION GUIDE

For This Ceiling Type →	1-1/2"	1-13/16"	1-5/8"	1-1/2"	1-1/2"	1-1/2"	1-1/2"
	Standard 15/16" Grid (NEMA Type G)	Donn Fineline 9/16"	Chicago Metallic Ultralite 3500	Chicago Metallic Ultralite 3500	Chicago Metallic Spectra 3700	Chicago Metallic Spectra 3800	NFG 9/16"
Use Mounting Bracket Position →	"STD"	"SS"	"CM"	"CM"	"CM"	"CM"	"STD"