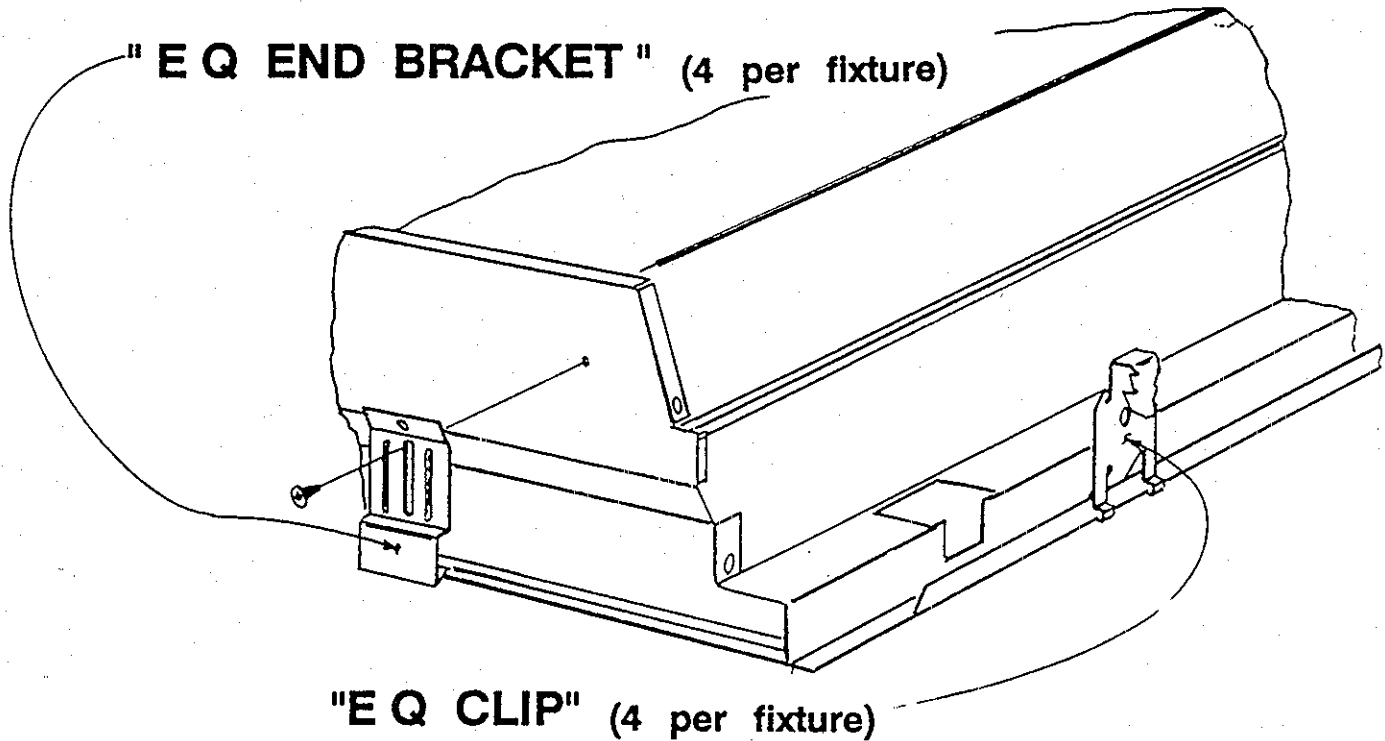


Optional T - Bar Safety Clips



Both the 1984 and 1987 editions of the National Electric Code require that lighting fixtures installed in and supported by a suspended ceiling system "shall be securely fastened to the ceiling framing member by mechanical means". This requirement is found in Article 410-16c. Methods for accomplishing this requirement are listed as bolts, screws, rivets, or "CLIPS IDENTIFIED FOR USE WITH THE TYPE OF CEILING FRAMING MEMBER(S) AND FIXTURE(S) SHALL ALSO BE PERMITTED."

We currently offer two different types of T-bar safety clips (the "EQ clip" and the "EQ end bracket"). These optional components are U.L. listed for the purpose and are relatively easy to use. However, these clips do add additional cost to the fixtures.