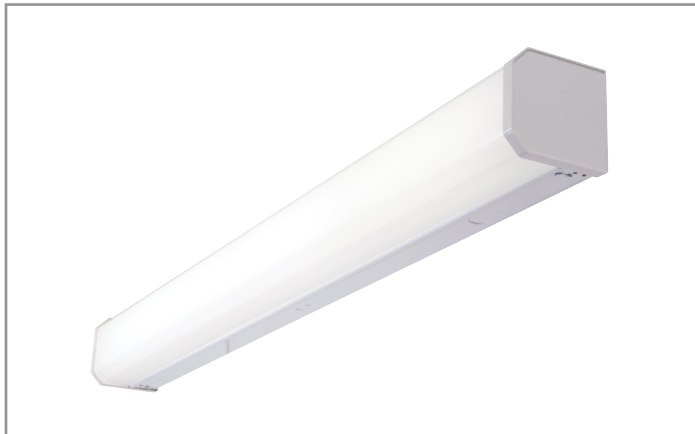


Project		Catalog #		Type	
Prepared by		Notes		Date	



Metalux

BCLED

Wall Bracket LED

Typical Applications

General purpose lighting

Interactive Menu

- Order Information [page 2](#)
- Photometric Data [page 3](#)
- Product Warranty

Top Product Features

- Twelve unique lumen packages
- Full frost lens for ideal LED aesthetics
- Three correlated color temperatures (3500K, 4000K and 5000K)
- Typical 85 plus CRI
- Class 2, 24V DC constant driver with standard 0-10V dimming
- Options to meet Trade Agreements Act requirements

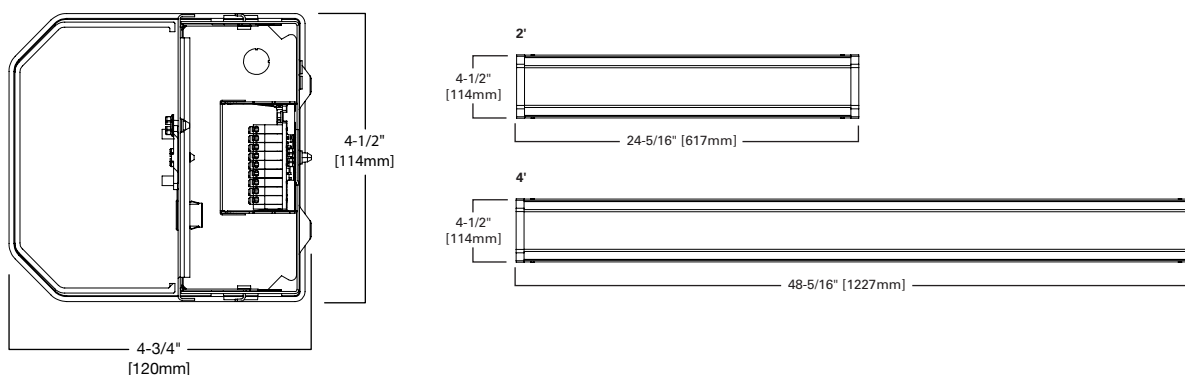
Product Certification



Product Features



Dimensional and Mounting Details



Order Information

SAMPLE ORDER NUMBER: **4BCLED-LD4-40SL-F-UNV-L835-CD1-U**

Domestic Preferences	Rating	Width	Series	Lamp Type	Lumen Output	Shielding	Voltage	Options
Domestic Preferences ⁽¹²⁾	Rating	Width	Series	Lamp Type	Lumen Output ⁽³⁾	Shielding	Voltage ⁽¹⁾	Options
[Blank]=Standard TAA=Trade Agreements Act	[Blank]=Standard	2=2 ft. Width 4=4 ft. Width	BCLED=LED Wall Bracket	LD4=LED 4.0	8SL=900 ⁽⁵⁾ 32SL=3200 16SL=1600 ⁽⁵⁾ 36SL=3600 20SL=2000 40SL=4000 24HL=2400 ⁽⁵⁾ 44HL=4400 28HL=2800 ⁽⁵⁾ 48HL=4800 28SL=2800 ⁽⁷⁾	F=Frost Acrylic (standard)	347V=347 Volt 480V=480 Volt UNV=Universal Voltage 120-277 ⁽²⁾ UNC=Universal Voltage 347/480 ⁽¹⁰⁾	GL=Single Element Fuse DL=Double Element Fuse
Notes (12) Only product configurations with this designated prefix are built to be compliant with the Trade Agreements Act of 1979 (TAA). Please refer to DOMESTIC PREFERENCES website for more information. Components shipped separately may be separately analyzed under domestic preference requirements.					Notes (3) Nominal lumen output. (5) 2 ft. model. (7) Only available in 4 ft. models.		Notes (1) Products also available in non-US voltages and frequencies for international market. (2) Not available when specifying emergencies, voltage must be specific. (10) Only available in 4 ft. models.	

Emergency	CCT	Driver Type	Number of Drivers	Options	Packaging
Emergency	CCT	Driver Type	Number of Drivers	Options	Packaging
EL7W=7-watt, 120V-277V emergency battery pack installed ^{(4),(6)} EL14W=14-watt 120V-277V emergency battery pack installed ^{(4),(6)} GTR2=Bodine Generator Transfer Relay ⁽⁹⁾ ETRD=Iota Emergency Transfer Relay with dimming control ⁽⁹⁾	L830=3000K L835=3500K L840=4000K L850=5000K	CD=0-10V Dimming Driver SD=Step-dim (Bi Level) ^{(7),(8)} 5LTD=Fifth Light (DALI) Driver ^{(7),(8)}	1=1 Driver	CO=Convenience Outlet (120V only) PS1=Pull Switch (1 Circuit)	U=Unit Pack
Notes (4) With integral test switch/indicator/laser test. For approximate delivered lumens multiply the lumens per watt of the desired fixture by the wattage of the emergency battery pack (100 lm/W x 7=700 lumens). IES-format photometry for luminaire under emergency operation available. (6) No integral emergency for 2 ft. models. (9) Used to bypass local control during outage. Must be used in conjunction with UL 1008 device (provided by others). GTR2 option includes 2 relays on fixtures with dimming drivers. ETRD option only requires one relay when used on a dimming fixture. Must specify voltage as 120V or 277V when ordering these devices.		Notes (7) Only available in 4 ft. models. (8) Step dim and DALI only available in 3600, 4000, 4400 and 4800 lumen packages.			

Accessories

Accessories ⁽¹¹⁾
AVC=Chain/Set=36" Chain Hanger (Use 1 Set Per Fixture) SCF=Fixed Stem Set (Specify Length) SCS=Swivel Stem Set (Specify Length) SCA=Adjustable 48" Stem Set A1B/Spacer-U=Spacer 1-1/2" to 2-1/2" from ceiling (Use 2 per fixture)
Notes (4) With integral test switch/indicator/laser test. For approximate delivered lumens multiply the lumens per watt of the desired fixture by the wattage of the emergency battery pack (100 lm/W x 7=700 lumens). IES-format photometry for luminaire under emergency operation available. (6) No integral emergency for 2 ft. models. (9) Used to bypass local control during outage. Must be used in conjunction with UL 1008 device (provided by others). GTR2 option includes 2 relays on fixtures with dimming drivers. ETRD option only requires one relay when used on a dimming fixture. Must specify voltage as 120V or 277V when ordering these devices. (11) Accessories sold separately will be separately analyzed under domestic preference requirements. Consult factory for further information.

Product Specifications

Construction

- Housing consists of die formed cold rolled steel with decorative white opaque injection molded end plates
- Reflector/channel wireway cover secured by fasteners for easy wireway access
- Channel back has numerous KO's for easy installation

Controls

- Equipped standard with a 0-10V continuous dimming driver that works with any standard 0-10V control/dimmer
- Dimming range is 10% to 100%; varies by control device
- Combine with energy saving products like occupancy sensors, day lighting controls, and lighting relay panels to maximize energy savings

Electrical

- Long-Life LED system coupled with electrical driver to deliver optimal performance
- LED's available in 3000K, 3500K or 4000K with a typical CRI 85
- Projected life is 60,000 hours at 70% lumen output. Electronic drivers are available for 120-277V applications.
- A 0-10V dimming driver is standard

Emergency Battery Pack Option

- Optional 120V-277V integral emergency battery pack is available in 7-watts or 14-watts to meet critical life-safety lighting requirements
- The 90-minute batteries provide constant power to the LED system, ensuring code-compliance
- A test switch/indicator button can be tested safely from the ground using a laser pointer, while the patented EZ Key prevents accidental discharge of the battery during construction
- Emergency/generator transfer options available – see ordering information for details

Finish

- Highly reflective post painted finish (PAF) standard offering customers the optimal finish and handling
- Additionally, each housing is treated with multistage iron phosphate pretreatment, ensuring maximum bonding and rust inhibitor

Shielding

- Specially developed LED lens blend allows this product series to offer optimal light out and providing smooth even illumination with no pixilation
- Lenses are designed from smooth opal white acrylic and provide 180° uniform light distribution (Uplight, Frontal & Downlight)
- Lens is securely held in place by removable decorative injection molded white end plates that can be easily removed for installation and maintenance

Installation

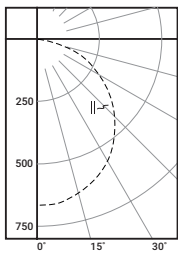
- Fixture may be surface (wall or ceiling) and suspended mounted
- See accessories below for ordering information

Compliance

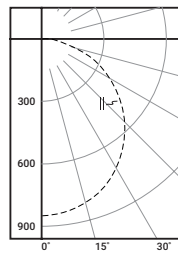
- Modules are UL recognized components and indoor luminaires are cULus listed for up to 40°C ambient environments, RoHS compliant, and LED modules comply with IESNA LM-79 and LM-80 standards.
- Suitable for use in clothes closets when installed in accordance with the NEC 410.16 spacing requirements

Photometric Data

[View IES files](#)



4BCLED-LD4-32SL-F-UNV-L835-CD1-U
 Electronic Driver
 Linear LED 3500K
 Spacing criterion:
 (H) 1.3 x mounting height, (L) 1.4 x mounting height
 Lumens: 3171
 Input Watts: 32.5W
 Efficacy: 97.6 lm/W
 Test Report:
 4BCLED-LD4-32SL-F-UNV-L835-CD1-U.IES



4BCLED-LD4-40SL-F-UNV-L835-CD1-U
 Electronic Driver
 Linear LED 3500K
 Spacing criterion:
 (H) 1.3 x mounting height, (L) 1.4 x mounting height
 Lumens: 3990
 Input Watts: 42.5W
 Efficacy: 93.9 lm/W
 Test Report:
 4BCLED-LD4-40SL-F-UNV-L835-CD1-U.IES

Wattage

Length	Lumens Package	Watts
2 ft.	800	10W
2 ft.	1600	19W
2 ft.	2000	23W
2 ft.	2400	25W
2 ft.	2800	29W
4 ft.	2000	22W
4 ft.	2800	29W
4 ft.	3200	32W
4 ft.	3600	37W
4 ft.	4000	42W
4 ft.	4400	47W
4 ft.	4800	51W