

# Metalux AP Series

## DESCRIPTION

Metalux AP series APS-NS is a functional general-purpose narrow strip family that incorporates performance and construction durability. Designed with easy-to-use features, the APS-NS significantly reduces installation time. The APS-NS can be installed using various mounting methods.

The APS-NS can be the illumination solution in commercial, industrial, retail and residential applications. Fixtures can be used in storage/utility areas, coves, display cases, shops, task and general area lighting.

<b>Catalog #</b>		<b>Type</b>
<b>Project</b>		
<b>Comments</b>		<b>Date</b>
<b>Prepared by</b>		

## SPECIFICATION FEATURES

### Construction

Channel is constructed die formed cold rolled steel with numerous KOs for ease of installation. Channel/wireway cover secured with quarter-turn fasteners. End plate quickly converts to channel connector for continuous row alignment.

### Electrical\*

Equipped with a NEMA premium ballast on T8 versions. Rotor Lock lampholders. UL/CUL listed. Suitable for damp locations.

### Channel/Wireway Cover

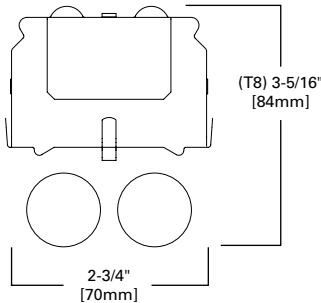
Die formed code gauge steel. Tight fit for ease of maintenance. Easily removed without use of tools.

### Finish

Baked white enamel finish.

### Compliance

Options to meet Buy American and other domestic preference requirements.



## APS-NS

117, 125  
132  
217, 225  
232

2', 3', 4' OR 8' STRIP  
1, 2 OR 4 T8 LAMPS

Narrow Striplight



Catalog Number	Product Description	Wattage	UPC
APS-NS117	24", 1 LAMP, T8, NARROW STRIPLIGHT	17W	080083622313
APS-NS217	24", 2 LAMP, T8, NARROW STRIPLIGHT	17W	080083622320
APS-NS132	48", 1 LAMP, T8, NARROW STRIPLIGHT	32W	080083622351
APS-NS232	48", 2 LAMP, T8, NARROW STRIPLIGHT	32W	080083622382
APS-8NS132	96", 2 LAMP, T8, NARROW STRIPLIGHT	32W	080083622368
APS-8NS232	96", 4 LAMP, T8, NARROW STRIPLIGHT	32W	080083622399

## SHIPPING INFORMATION

Catalog Number	WGT.	Pallet Qty.
APS-NS117	4.2	168
APS-NS217	4.2	168
APS-NS132	4.67	84
APS-NS232	4.67	84
APS-8NS132	9.34	126
APS-8NS232	9.34	126

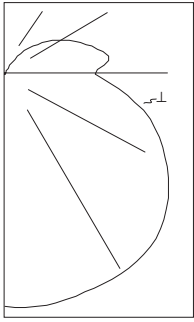
LAMPS CONTAIN MERCURY. DISPOSE ACCORDING TO LOCAL, STATE OR FEDERAL LAWS

## LINEAR DISCONNECT

Safe and convenient means of disconnecting power.

\*Reference the lamp/ballast data in themTechnical Section for specific lamp/ballast requirements. † One lamp only.

PHOTOMETRICS



**APS-NS232**  
 Electronic Ballast  
 Two F32T8/35K Lamps  
 2800 Lumens  
 Spacing criterion:  
 (H) 1.2 x mounting  
 height, (L) 1.5 x  
 mounting height  
 Efficiency 90.1%  
 Test Report:  
 APS-NS232.IES

**Coefficients of Utilization**

rc	Effective floor cavity reflectance								20%														
	80%				70%				50%				30%				10%				0%		
rw	70	50	30	10	70	50	30	10	50	30	10	50	30	10	50	30	10	50	30	10	0		
<b>RCR</b>																							
<b>0</b>	103	103	103	103	99	99	99	99	90	90	90	83	83	83	76	76	76	72	72	72	72		
<b>1</b>	91	86	81	77	87	82	78	74	75	72	68	68	66	63	62	60	58	55	55	55	55		
<b>2</b>	82	73	66	60	78	70	64	58	64	59	54	58	54	50	53	50	47	44	44	44	44		
<b>3</b>	74	64	55	49	70	61	53	47	55	49	44	51	45	41	46	42	38	35	35	35	35		
<b>4</b>	67	56	47	41	64	53	45	39	49	42	37	44	39	35	41	36	32	30	30	30	30		
<b>5</b>	62	49	41	34	58	47	39	33	43	37	31	40	34	29	36	31	27	25	25	25	25		
<b>6</b>	57	44	36	30	54	42	34	29	39	32	27	36	30	25	33	28	24	22	22	22	22		
<b>7</b>	52	40	31	26	50	38	30	25	35	28	24	32	27	22	30	25	21	19	19	19	19		
<b>8</b>	49	36	28	23	46	35	27	22	32	25	21	29	24	20	27	22	19	17	17	17	17		
<b>9</b>	45	33	25	20	43	32	25	20	29	23	19	27	22	18	25	20	17	15	15	15	15		
<b>10</b>	42	30	23	18	40	29	22	18	27	21	17	25	20	16	23	18	15	13	13	13	13		

**Zonal Lumen Summary**

Zone	Lumens	%Lamp	%Fixture
<b>0-30</b>	805	14.4	16.0
<b>0-40</b>	1364	24.4	27.0
<b>0-60</b>	2638	47.1	52.3
<b>0-90</b>	4049	72.3	80.3
<b>90-180</b>	993	17.7	19.7
<b>0-180</b>	5043	90.1	100.0

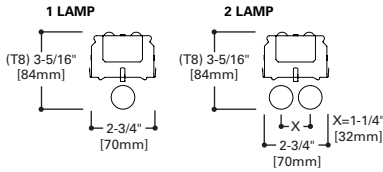
**Luminance Data**

Angle in Deg	Average 0-Deg cd/sm	Average 45-Deg cd/sm	Average 90-Deg fcd/sm
<b>45</b>	13624	17577	20140
<b>55</b>	12829	19375	22766
<b>65</b>	11676	22113	27282
<b>75</b>	9619	28523	36952
<b>85</b>	5173	56907	82706

**Candela**

Angle	Along H	45°	Across L
<b>0</b>	989	989	989
<b>10</b>	974	986	991
<b>20</b>	924	958	989
<b>30</b>	835	918	995
<b>40</b>	716	868	982
<b>50</b>	572	797	921
<b>60</b>	413	689	829
<b>70</b>	248	563	715
<b>80</b>	92	412	566
<b>90</b>	1	272	420
<b>100</b>	1	304	490
<b>110</b>	0	240	410
<b>120</b>	1	179	325
<b>130</b>	1	121	235
<b>140</b>	2	66	149
<b>150</b>	2	18	69
<b>160</b>	3	2	9
<b>170</b>	3	2	0
<b>180</b>	2	2	2

**LAMP CONFIGURATIONS**



**MOUNTING DATA**

