

DESCRIPTION

The VT2 Series is an energy efficient industrial Vaportite fixture that features rugged and durable construction. The VT2 incorporates a full metal fixture liner inside a reinforced fiberglass housing with a high impact diffuser. This Vaportite series is suitable for interior and exterior applications and can be surface or chain mounted.

The VT2 Series has been designed for maximum operation in commercial institutional and industrial environments where weathering, high temperature, humidity and dust or corrosive fumes are present.

Catalog #		Type
Project		
Comments		Date
Prepared by		

SPECIFICATION FEATURES

Construction

Fiberglass housing is reinforced polyester and self-extinguishing (ASTM-D635-74) plastic of a permanent pearl gray color. Top of housing has thirteen (13) embossments (8' unit), providing mounting flexibility on uneven surfaces. A watertite hub for 1/2" conduit entry is provided at each end of housing (standard) for continuous feed. Polyurethane gasketing is formed in the housing providing a continuous seamless seal for the diffuser. Twelve (12) sturdy cam latches clamp diffuser tightly for a positive seal between housing, gasket and diffuser.

Electrical*

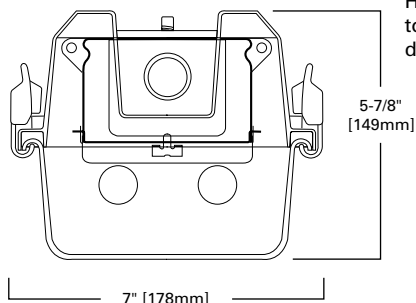
Unit has full metal liner (channel) secured by brass internal/external mounting studs for positive grounding, maximum protection and rigidity. Ballasts are CBM/ETL Class "P" certified suitable to minus 20°F. Spring loaded lampholders. Electrical components and fixtures are UL/CUL listed for Wet Locations.**

Reflectors

"DR" - Clear low brightness pattern acrylic with 15% high impact additive.
 "DR-100" - Clear low brightness pattern acrylic with 100% high impact additive.
 Example: VT2-296HODR-100
 "LEX" - High impact clear low brightness pattern polycarbonate. LEXAN
 Example: VT2-296HOLEX.

Compliance

The VT2 Series ratings apply to Horizontal Mounting only. Options to meet Buy American and other domestic preference requirements.



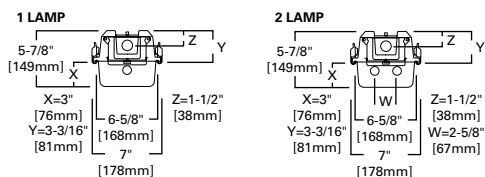
VT2
 196HO
 196T8HO
 296HO
 296T8HO

**8' INDUSTRIAL
 1 OR 2 LAMPS HIGH OUTPUT,
 800MA**

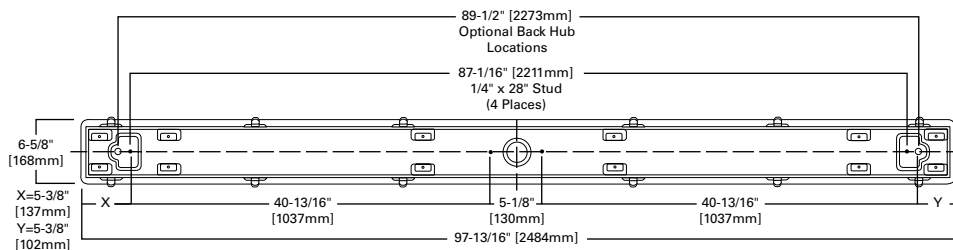
Vaportite Industrial



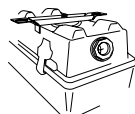
LAMP CONFIGURATIONS



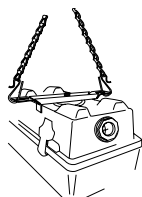
MOUNTING DATA



INSTALLATION DATA



MOUNTING BRACKETS
 Furnished
 Two per 2' and 4' Unit
 Four per 8' Unit



OPTIONAL CHAN HANGING SET
 (VT2-CHAIN/SET-U)
 Includes 6 ft. of chain, 4 large S-Hooks and 4 small S-Hooks
 Order One (1) Kit for each 2' or 4' Fixture
 Two (2) Kits Recommended For 8' Fixture

ENERGY DATA

Input Watts:
EB Ballast & STD Lamps
 296HO (208)
 296HOT8 (160)

STD Ballast & STD Lamps
 196HO (82)
 296HO (237)
 248HO (145)

Luminaire Efficacy Rating
LER = FI-50

Catalog Number: VT2-296HO DR-WL
Yearly Cost of 1000 lumens,
3000 hrs at .08 KWH = \$4.80

*Reference the lamp/ballast data in the Technical Section for specific lamp/ballast requirements.

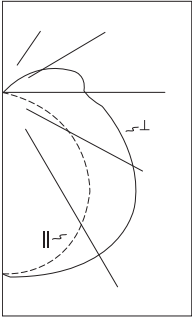
**Not Suitable for Wet Locations if EL4 Option is added. Consult Pre Sales Technical Support.

LAMPS CONTAIN MERCURY, DISPOSE ACCORDING TO LOCAL, STATE OR FEDERAL LAWS

LINEAR DISCONNECT

Safe and convenient means of disconnecting power

PHOTOMETRICS



VT2-296HO DR-WL
 Energy Saving Ballast
 F96T12/CW/HO/EW
 Lamps
 8000 Lumens

Spacing criterion:
 (II) 1.3 x mounting
 height, (L) 1.6 x
 mounting height
 Efficiency 69.1%

Test Report:
 VT2296HODRWL.IES
 LER = FI-50

Yearly Cost of 1000
 lumens, 3000 hrs at
 .08 KWH = \$4.80

Coefficients of Utilization

rc	Effective floor cavity reflectance																							
	20%																							
	80%				70%				50%				30%				10%				0%			
rw	70	50	30	10	70	50	30	10	50	30	10	50	30	10	50	30	10	50	30	10	50	30	10	0
RCR																								
0	80	80	80	80	76	76	76	76	71	71	71	65	65	65	60	60	60	58						
1	71	66	63	59	67	64	60	57	59	56	54	54	52	50	50	48	47	44						
2	63	57	51	47	60	55	50	45	50	46	43	46	43	40	43	40	37	35						
3	57	49	43	38	55	47	42	37	44	39	35	40	36	33	37	34	31	29						
4	52	43	37	32	50	41	35	31	38	33	29	35	31	28	33	29	26	24						
5	48	38	32	27	45	37	31	26	34	29	25	31	27	23	29	25	22	20						
6	44	34	28	23	42	33	27	22	31	25	21	28	24	20	26	22	19	18						
7	41	31	24	20	39	30	24	20	28	22	19	26	21	18	24	20	17	15						
8	38	28	22	18	36	27	21	17	25	20	17	23	19	16	22	18	15	13						
9	35	26	20	16	33	25	19	15	23	18	15	21	17	14	20	16	13	12						
10	33	23	18	14	31	23	17	14	21	17	13	20	16	13	19	15	12	11						

Zonal Lumen Summary

Zone	Lumens	%Lamp	%Fixture
0-30	1873	11.7	16.9
0-40	3187	19.9	28.8
0-60	6152	38.4	55.6
0-90	9276	58.0	83.9
90-180	1783	11.1	16.1
0-180	11059	69.1	100.0

Candela

Angle	Along II	45°	Across ⊥
0	2279	2279	2279
10	2260	2260	2329
20	2144	2229	2354
30	1958	2155	2361
40	1697	2034	2322
50	1360	1834	2182
60	935	1529	1902
70	496	1209	1596
80	176	952	1320
90	23	697	1043
100	20	644	1027
110	9	477	868
120	4	249	588
130	3	87	291
140	4	24	87
150	4	7	21
160	4	3	4
170	3	3	3
180	0	0	0

ORDERING INFORMATION

SAMPLE NUMBER: VT2-296T8HO-120V-WL-U

<p>Domestic Preferences⁽⁵⁾ [Blank]=Standard BAA=Buy American Act TAA=Trade Agreements Act</p>	<p>Voltage⁽¹⁾ 120V=120 Volt 277V=277 Volt 347V=347 Volt UNV=Universal Voltage 120-277⁽²⁾</p>	<p>Ballast Type⁽¹⁾ EB8_=T8 Electronic Instant Start. Total Harmonic Distortion < 10% No. of Ballast 1 or 2 EB2_=T12 Electronic Rapid Start. No. of Ballast 1 or 2</p>	<p>WL=Wet Label</p>	<p>Options TH=(2) Top Watertite Hubs TEH=(2) Top & (2) End Watertite Hubs (All Watertite Hubs Have 1/2" Conduit Entry) TILW=Tandem In-Line Wiring Option (Consult TILW Option Catalog Page) PI/CPI=Plug-In Option (See options & accessories)</p>	<p>Packaging U=Unit Pack</p>
<p>Series VT2=Vapor-Tite</p>	<p>Options GL=Single Element Fuse GM=Double Element Fuse VT-REM-_(specify battery)= Remote Emergency Enclosure⁽⁴⁾</p>				
<p>Number of Lamps⁽³⁾ 1 or 2 Lamps (Not included)</p>					
<p>Wattage (Length) 96HO=95/110W T12 (96") HO 96T8HO=86WT8 (96") HO</p>					
<p>Lens DR=Internal Prismatic Lens/15% DR High Impact Additive (Standard) DR-100=100% High Impact Additive LEX=High Impact Clear Polycarbonate LEXAN Lens/Low Brightness Pattern</p>					

NOTES: ⁽¹⁾ Products also available in non-US voltages and frequencies for international markets. ⁽²⁾ Not available when specifying emergencies, voltage must be specific. ⁽³⁾ 3-lamp only available for 32WT8 lamps. ⁽⁴⁾ Rated for operation up to 30°C. ⁽⁵⁾ Only product configurations with these designated prefixes are built to be compliant with the Buy American Act of 1933 (BAA) or Trade Agreements Act of 1979 (TAA), respectively. Please refer to DOMESTIC PREFERENCES website for more information. Components shipped separately may be separately analyzed under domestic preference requirements. ⁽⁶⁾ Accessories sold separately will be separately analyzed under domestic preference requirements. Consult factory for further information.

Specifications & dimensions subject to change without notice. Consult your Cooper Lighting Solutions Representative for availability and ordering information.

SHIPPING DATA

Catalog No.	Wt.
VT2-196T8HO DR-WL	20 lbs.
VT2-296T8HO DR-WL	20 lbs.