

Project		Catalog #		Type	
Prepared by		Notes		Date	



Metalux

SNLED Lensed

Lensed LED Strip Round and Square Lens

Typical Applications

Storage / Utility • Coves • Display Cases • Task and General Area

Interactive Menu

- Order Information [page 2](#)
- Photometric Data [page 3](#)
- Product Warranty

Product Certification



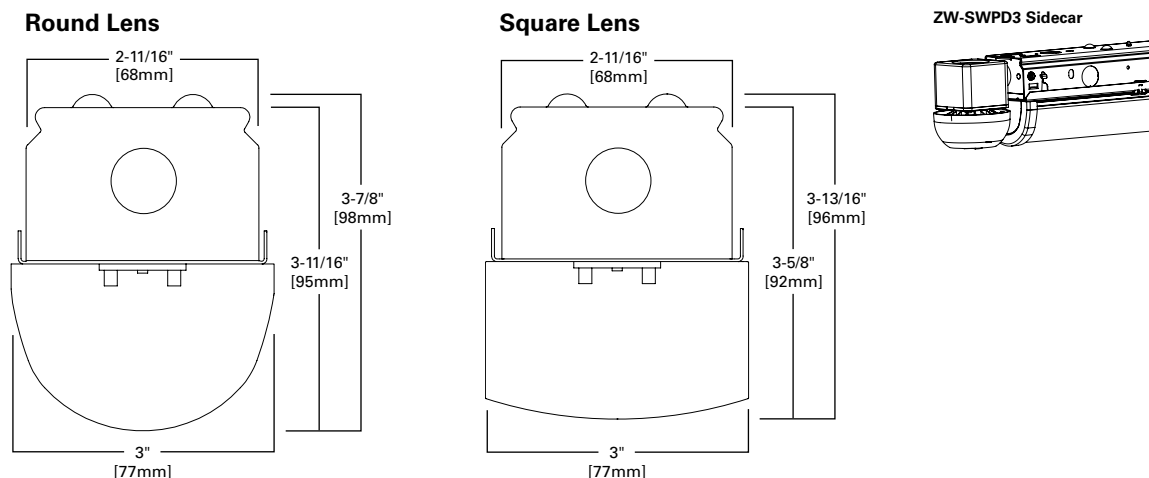
Product Features



Top Product Features

- Standard (SL) and High lumen/High Efficacy (HL) packages
- High efficiencies - up to 153 LPW
- Three different lens types for optical control
- Two different reflectors for precise distribution control
- Available CCT: 3000K, 3500K, 4000K and 5000K
- Minimum CRI of 80; 90 CRI available
- Options to meet Trade Agreements Act requirements

Dimensional Details



[additional product diagrams](#)

Order Information

SAMPLE ORDER NUMBER: **4SNLED-LD5-46SL-LN-UNV-L835-CD1-U**
8TNSLED-LD5-200HL-SLN-UNV-EL7W-L840-CD2-U

Domestic Preferences ⁽¹⁹⁾	Length			Series	Lamp Type
[Blank]=Standard TAA=Trade Agreements Act	2=2 ft.	4=4 ft.	8T=8 ft.	SNLED=Commercial LED Striplight ⁽¹⁾	LD5=LED 5.0

LED Lumen Packages ⁽²⁾

2 ft. Round Lens			4 ft. Round Lens			8 ft. Round Lens			2 ft. Square Lens			4 ft. Square Lens			8 ft. Square Lens		
LC	LN	LW	LC	LN	LW	LC	LN	LW	SLC	SLN	SLW	SLC	SLN	SLW	SLC	SLN	SLW
18SL	18SL	16SL	18SL	18SL	16SL	60SL	60SL	54SL	19SL	19SL	16SL	19SL	19SL	15SL	60SL	64SL	50SL
22SL	22SL	20SL	22SL	22SL	20SL	68SL	68SL	61SL	24SL	24SL	20SL	23SL	23SL	19SL	70SL	70SL	58SL
26SL	26SL	23SL	26SL	26SL	23SL	75SL	75SL	67SL	27SL	27SL	22SL	27SL	27SL	22SL	78SL	77SL	64SL
34HL	32HL	30HL	30SL	30SL	27SL	83SL	83SL	74SL	37HL	37HL	30HL	30SL	30SL	25SL	84SL	84SL	70SL
Clear	Semi-frost narrow	Full frost wide	34SL	34SL	30SL	90SL	91SL	81SL	48HL	48HL	41HL	35SL	35SL	29SL	93SL	93SL	77SL
			37SL	37SL	33SL	98SL	98SL	88SL	Clear	Semi-frost narrow	Full frost wide	39SL	39SL	32SL	100SL	100SL	83SL
			41SL	41SL	37SL	105SL ⁽³⁾	106SL	95SL				42SL	42SL	35SL	108SL	108SL	90SL
			46SL	46SL	41SL	130HL ⁽³⁾	130HL ⁽³⁾	110HL				47SL	46SL	39SL	116SL	116SL	96SL
			49SL	53SL	44SL	170HL ⁽³⁾	170HL ⁽³⁾	150HL				50SL	50SL	41SL	125SL	125SL	104SL
			52SL	56SL	47SL	Clear	Semi-frost narrow	Full frost wide				54SL	54SL	45SL	131SL	130SL	108SL
			56SL	61SL	50SL							58SL	58SL	48SL	130HL	130HL	130HL
			63SL	64SL	56SL							63SL	63SL	52SL	170HL ⁽³⁾	170HL ⁽³⁾	170HL ⁽³⁾
			66SL	50HL	58SL							65SL	65SL	54SL	200HL	200HL	200HL
			52HL	54HL	44HL							77SL	78SL	64SL	Clear	Semi-frost narrow	Full frost wide
			55HL	60HL	48HL							85SL	85SL	70SL			
			60HL	74HL	54HL							54HL	54HL	46HL			
			76HL		65HL							57HL	57HL	48HL			
			Clear	Semi-frost narrow	Full frost wide							62HL	62HL	52HL			
												68HL	68HL	57HL			
												82HL	82HL	69HL			
												97HL	97HL	81HL			
												Clear	Semi-frost narrow	Full frost wide			

SL denotes standard lumen output. HL denotes high lumen output. Additional LEDs to obtain lumen package.
 For comparable lumen packages, HL efficacy is greater than SL efficacy.
 26SL: 2600 delivered lumens, standard lumen output
 170HL: 17000 delivered lumens, high output.

Same notes apply as round (column on left)

Lens	Voltage	Options			Color Temp / CCT
Round LC=Clear Lens LN=Semi-Frost Lens - Narrow LW=Full Frost Lens - Wide	UNV=Universal Voltage 120-277 34T=347V ^{(5), (6), (7)} 48T=480V ⁽⁴⁾	Emergency EL7W=7-watt, 120V-277V emergency battery pack installed ^{(8), (10)} EL14W=14-watt 120V-277V emergency battery pack installed ^{(8), (10)} GTR2=Bodine Generator Transfer Relay ⁽¹¹⁾ ETRD=Iota Emergency Transfer Relay with dimming control ⁽¹¹⁾	Wiring PI/CP=Plug in and cross over plug in options ⁽¹³⁾ PC6/515P=(NEMA 5-15P) 6 ft. Cord with NEMA Straight Plug ^{(12), (13)} PC6/L715=(NEMA L7-15P) 6 ft. Cord with NEMA Twist Plug ^{(12), (13)}	Motion Sensors ⁽¹⁴⁾ LB-ERMS360=360° Low Bay Motion Sensor - End of Row LB-MRMS360=360° Low Bay Motion Sensor - Middle of Row HB-ERMS360=360° High Bay Motion Sensor - End of Row ⁽⁹⁾ HB-MRMS360=360° High Bay Motion Sensor - Middle of Row ⁽⁹⁾ ZW-SWPD3=WaveLinX Wireless Sensor, Sidecar mount, with 1200 sq ft. coverage WLS4=WaveLinX Lite Wireless Integrated Sensor, 15'-40' Mounting Height ⁽²⁰⁾	CCT/CRI L830=3000K, 80 CRI L835=3500K, 80 CRI L840=4000K, 80 CRI L850=5000K, 80 CRI L930=3000K, 90 CRI L935=3500K, 90 CRI L940=4000K, 90 CRI L950=5000K, 90 CRI
Square SLC=Square / Flat Clear Lens SLN=Square / Flat Semi-Frost Lens - Narrow SLW=Square / Flat Full Frost Lens - Wide					

Drive Type	No. of Drivers	Paint Finish	Packaging	Accessories (Order Separately) ⁽¹⁸⁾		
CD=0-10V Dimming Driver (10%-100% Dimming) HCD=0-10V Dimming Driver (1%-100% Dimming) SD=Step-dim (Bi Level) ⁽¹⁵⁾ SLTD=5th Light (DALI) Driver ^{(15), (16)}	1=1 Driver 2=2 Drivers	[Blank]=Standard White BLK=PAF Black ⁽¹⁷⁾	U=Unit Pack	AVC-Chain/Set =36" Chain Hanger (Use 1 set per fixture) SCF =Fixed Stem Set (Specify Length) SCS =Swivel Stem Set (Specify Length) SCA =Adjustable 48" Stem Set EYE-CHAIN/SET-B =Eye Bolt Chain (Use 1 set per fixture) WG/SNF-2FT =2 ft Wire Guard WG/SNF-4FT =4 ft Wire Guard A1B/Spacer-U =Spacer 1-1/2" to 2-1/2" from ceiling (Use 2 per fixture) TOGGLE =Single Toggle No. 2 (Specify Length) BKYT18-063-__K =Y-Toggle, No. 2 (Specify length in inches), Use 2 per fixture GRP-SNF-U =Gripper Hanger 550702P PK =SNLED Long Row Aligner Extension	Round Replacement Lenses SNLED-LENS-LW-2FT-U= Replacement Lenses 2 ft, Full Frost SNLED-LENS-LN-2FT-U= Replacement Lenses 2 ft, Semi Frost SNLED-LENS-LC-2FT-U= Replacement Lenses 2 ft, Clear SNLED-LENS-LW-4FT-U= Replacement Lenses 4 ft, Full Frost SNLED-LENS-LN-4FT-U= Replacement Lenses 4 ft, Semi Frost SNLED-LENS-LC-4FT-U= Replacement Lenses 4 ft, Clear	Square Replacement Lenses SNLED-SQLENS-SLW-2FT-U= Replacement Lenses 2 ft, Full Frost SNLED-SQLENS-SLN-2FT-U= Replacement Lenses 2 ft, Semi Frost SNLED-SQLENS-SLC-2FT-U= Replacement Lenses 2 ft, Clear SNLED-SQLENS-SLW-4FT-U= Replacement Lenses 4 ft, Full Frost SNLED-SQLENS-SLN-4FT-U= Replacement Lenses 4 ft, Semi Frost SNLED-SQLENS-SLC-4FT-U= Replacement Lenses 4 ft, Clear

Notes: (1) DesignLights Consortium® Qualified and classified for both DLC Standard and DLC Premium, refer to www.designlights.org for details. (2) Nominal lumen values. See table for value and fixture length. (3) DALI and Step-dim versions require two drivers. (4) 4 ft. and 8 ft. only. (5) 347V CD driver is limited to 50W max output before requiring 2 drivers (no 85W 347V solution). (6) 347 SD Driver require qty 2 transformers for Dual switch legs can not offer with EBP due to space requirements for EBP charge circuit. (7) All other drivers at 347V requires single transformer for Driver. If EBP is included, would require second transformer THD on PF affected by transformer (no DLC). (8) 4 ft. and 8 ft. only. (9) Motion Sensor offers dimmability. (10) With integral test switch/indicator/laser test. For approximate delivered lumens multiply the lumens per watt of the desired fixture by the wattage of the emergency battery pack (100 lm/W x 7=700 lumens). IES-format photometry for luminaire under emergency operation available. (11) Used to bypass local control during outage. Must be used in conjunction with UL 1008 device (provided by others). GTR2 and ETR2 options include 2 relays on fixtures with dimming drivers. ETRD option only requires one relay when used on a dimming fixture. Must specify voltage as 120V or 277V when ordering these devices. (12) Most common C&P shown. Must specify location for cord. All "end" locations will be on the end with sensor installed. (13) Consult tech support on numerous options for this feature. (14) Sensors provided in separate externally mounted enclosure. See SRL spec sheet for fully integrated/connected sensors. (15) 4 ft. and 8 ft. only. (16) For a complete listing of Fifth Light products, visit www.cooperlighting.com (17) Black fixture and lens ends. Refer to Finish multiplier table for performance (page 3). (18) Accessories sold separately will be separately analyzed under domestic preference requirements. Consult factory for further information. (19) Only product configurations with this designated prefix are built to be compliant with the Trade Agreements Act of 1979 (TAA). Please refer to DOMESTIC-PREFERENCES website for more information. Components shipped separately may be separately analyzed under domestic preference requirements. (20) WaveLinX Lite devices are not currently compatible with the WaveLinX Pro Wireless Area Controller.

Product Specifications

Construction

- Die-formed of cold rolled steel with numerous knockouts for easy installation
- Groove for Tong Hanger
- Convertible end plate for continuous row alignment
- Channel/wireway cover secured with sheet metal screws
- Surface, pendant or stem mounting

Controls

- 0-10V dimming drivers to 10% or to 1% options
- Step-dimming option
- Fifth Light DALI 2.0 driver option

Electrical

- Long-life LED system with electrical driver for optimal performance
- LED's available in 3000K, 3500K, 4000K or 5000K with CRI of 80 standard or optional 90 CRI
- TM21 rating of L87>60,000 hours
- Electronic drivers available for 120-277V, 347V and 480 applications
- Operating temperature of -20°C to 40°C; Ideal for cold storage environments

Emergency Battery Pack Option

- Optional 120V-277V integral emergency battery pack available in 7W or 14W
- 7-watt battery provides approximately 900 lumens; 14-watt battery approximately 1800 lumens depending on efficacy
- 90-minute backup period for code compliance
- Test switch with laser pointer allows safe testing from floor
- Patented EZ Key prevents accidental discharge during construction
- Generator transfer options available

Finish

- Multi-stage, iron phosphate pretreatment
- Highly reflective paint after fabrication
- Standard baked white enamel finish

Shielding

- Three round lensed optical distributions available: Clear with linear ribs (LC), semi-frost for narrow distribution (LN) and full frost for wide distribution (LW)
- Three square lensed optical distributions available: clear with linear ribs (SLC), semi-frost for narrow distribution (SLN) and full frost for wide distribution (SLW)

Compliance

- cULus Listed for damp locations
- RoHS compliant
- State of California Title 24 high efficacy luminaire
- DesignLights Consortium® Qualified and classified for DLC Standard and DLC Premium (refer to www.designlights.org)
- Suitable for closet use when installed to NEC 410.16 spacings standards

Warranty

- Five year warranty

WaveLinX Lite devices are not currently compatible with the WaveLinX Pro Wireless Area Controller

Photometric Data

 [View IES files](#)

Energy and Performance Data

CCT Table

Approximate Color Temperature	Multiplier
2700K	.93
3000K	.98
3500K	1.0
4000K	1.02
5000K	1.02

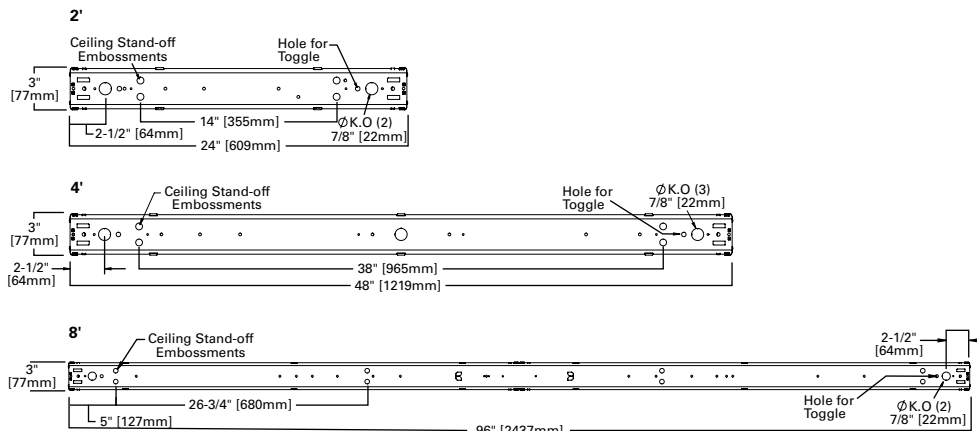
CRI

Lumen multiplier (80CRI to 90CRI)			
3000K	3500K	4000K	5000K
0.805	0.840	0.846	0.901

Shipping Data

Length	Wt.
2 ft.	4.3 lbs.
4 ft.	8.2 lbs.
8 ft.	15.1 lbs.

Dimensional and Mounting Details



Energy and Performance Data

Wattage: Round Clear Lens

SNLED Type	Lumen Type	Length	Catalog Number**	Nominal 3500K Lumens	Wattage	lm/W
Clear Lens (LC)	Standard	2 ft.	2SNLED-LD5-18SL-LC-UNV-L8XX-CD1-U	1960	14	137.4
Clear Lens (LC)	Standard	2 ft.	2SNLED-LD5-22SL-LC-UNV-L8XX-CD1-U	2420	18	133.7
Clear Lens (LC)	Standard	2 ft.	2SNLED-LD5-26SL-LC-UNV-L8XX-CD1-U	2747	21	131.1
Clear Lens (LC)	High	2 ft.	2SNLED-LD5-34HL-LC-UNV-L8XX-CD1-U	3487	27	131.2
Clear Lens (LC)	Standard	4 ft.	4SNLED-LD5-18SL-LC-UNV-L8XX-CD1-U	1890	13	145.0
Clear Lens (LC)	Standard	4 ft.	4SNLED-LD5-22SL-LC-UNV-L8XX-CD1-U	2344	16	146.4
Clear Lens (LC)	Standard	4 ft.	4SNLED-LD5-26SL-LC-UNV-L8XX-CD1-U	2699	18	146.3
Clear Lens (LC)	Standard	4 ft.	4SNLED-LD5-30SL-LC-UNV-L8XX-CD1-U	3077	21	145.4
Clear Lens (LC)	Standard	4 ft.	4SNLED-LD5-34SL-LC-UNV-L8XX-CD1-U	3567	25	143.3
Clear Lens (LC)	Standard	4 ft.	4SNLED-LD5-37SL-LC-UNV-L8XX-CD1-U	3924	28	141.6
Clear Lens (LC)	Standard	4 ft.	4SNLED-LD5-41SL-LC-UNV-L8XX-CD1-U	4269	31	139.6
Clear Lens (LC)	Standard	4 ft.	4SNLED-LD5-46SL-LC-UNV-L8XX-CD1-U	4718	35	136.8
Clear Lens (LC)	Standard	4 ft.	4SNLED-LD5-49SL-LC-UNV-L8XX-CD1-U	5051	38	134.4
Clear Lens (LC)	Standard	4 ft.	4SNLED-LD5-52SL-LC-UNV-L8XX-CD1-U	5478	41	133.3
Clear Lens (LC)	Standard	4 ft.	4SNLED-LD5-56SL-LC-UNV-L8XX-CD1-U	5880	46	127.4
Clear Lens (LC)	Standard	4 ft.	4SNLED-LD5-63SL-LC-UNV-L8XX-CD1-U	6358	52	123.1
Clear Lens (LC)	Standard	4 ft.	4SNLED-LD5-66SL-LC-UNV-L8XX-CD1-U	6628	55	120.2
Clear Lens (LC)	High	4 ft.	4SNLED-LD5-52HL-LC-UNV-L8XX-CD1-U	5171	37	139.5
Clear Lens (LC)	High	4 ft.	4SNLED-LD5-55HL-LC-UNV-L8XX-CD1-U	5409	39	138.5
Clear Lens (LC)	High	4 ft.	4SNLED-LD5-60HL-LC-UNV-L8XX-CD1-U	5893	43	136.7
Clear Lens (LC)	High	4 ft.	4SNLED-LD5-76HL-LC-UNV-L8XX-CD1-U	7774	62	125.1
Clear Lens (LC)	Standard	8 ft.	8TSNLED-LD5-60SL-LC-UNV-L8XX-CD1-U	6154	42	145.4
Clear Lens (LC)	Standard	8 ft.	8TSNLED-LD5-68SL-LC-UNV-L8XX-CD1-U	7134	50	143.3
Clear Lens (LC)	Standard	8 ft.	8TSNLED-LD5-75SL-LC-UNV-L8XX-CD1-U	7847	55	141.6
Clear Lens (LC)	Standard	8 ft.	8TSNLED-LD5-83SL-LC-UNV-L8XX-CD1-U	8537	61	139.6
Clear Lens (LC)	Standard	8 ft.	8TSNLED-LD5-90SL-LC-UNV-L8XX-CD1-U	9437	69	136.8
Clear Lens (LC)	Standard	8 ft.	8TSNLED-LD5-98SL-LC-UNV-L8XX-CD1-U	10101	75	134.4
Clear Lens (LC)	Standard	8 ft.	8TSNLED-LD5-105SL-LC-UNV-L8XX-CD1-U	10956	82	133.3
Clear Lens (LC)	High	8 ft.	8TSNLED-LD5-130HL-LC-UNV-L8XX-CD2-U	11786	86	136.7
Clear Lens (LC)	High	8 ft.	8TSNLED-LD5-170HL-LC-UNV-L8XX-CD2-U	15549	124	125.1

* Consult factory for stock availability. ** Lumen portion of catalog number may not match actual lumens.

Energy and Performance Data

Wattage: Round Semi-frost Lens, Narrow

SNELD Type	Lumen Type	Length	Catalog Number**	Nominal 3500K Lumens	Wattage	lm/W
Semi-Frost Lens (LN)	Standard	2 ft.	2SNLED-LD5-18SL-LN-UNV-L8XX-CD1-U	1903	14	133.4
Semi-Frost Lens (LN)	Standard	2 ft.	2SNLED-LD5-22SL-LN-UNV-L8XX-CD1-U	2350	18	129.8
Semi-Frost Lens (LN)	Standard	2 ft.	2SNLED-LD5-26SL-LN-UNV-L8XX-CD1-U	2667	21	127.3
Semi-Frost Lens (LN)	High	2 ft.	2SNLED-LD5-32HL-LN-UNV-L8XX-CD1-U	3385	27	127.4
Semi-Frost Lens (LN)	Standard	4 ft.	4SNLED-LD5-18SL-LN-UNV-L8XX-CD1-U	1835	13	140.8
Semi-Frost Lens (LN)	Standard	4 ft.	4SNLED-LD5-22SL-LN-UNV-L8XX-CD1-U	2276	16	142.2
Semi-Frost Lens (LN)	Standard	4 ft.	4SNLED-LD5-26SL-LN-UNV-L8XX-CD1-U	2620	18	142.0
Semi-Frost Lens (LN)	Standard	4 ft.	4SNLED-LD5-30SL-LN-UNV-L8XX-CD1-U	2987	21	141.2
Semi-Frost Lens (LN)	Standard	4 ft.	4SNLED-LD5-34SL-LN-UNV-L8XX-CD1-U	3463	25	139.2
Semi-Frost Lens (LN)	Standard	4 ft.	4SNLED-LD5-37SL-LN-UNV-L8XX-CD1-U	3809	28	137.5
Semi-Frost Lens (LN)	Standard	4 ft.	4SNLED-LD5-41SL-LN-UNV-L8XX-CD1-U	4144	31	135.6
Semi-Frost Lens (LN)	Standard	4 ft.	4SNLED-LD5-46SL-LN-UNV-L8XX-CD1-U	4581	35	132.8
Semi-Frost Lens (LN)	Standard	4 ft.	4SNLED-LD5-49SL-LN-UNV-L8XX-CD1-U	4903	38	130.4
Semi-Frost Lens (LN)	Standard	4 ft.	4SNLED-LD5-53SL-LN-UNV-L8XX-CD1-U	5318	41	129.4
Semi-Frost Lens (LN)	Standard	4 ft.	4SNLED-LD5-56SL-LN-UNV-L8XX-CD1-U	5708	46	123.7
Semi-Frost Lens (LN)	Standard	4 ft.	4SNLED-LD5-61SL-LN-UNV-L8XX-CD1-U	6172	52	119.5
Semi-Frost Lens (LN)	Standard	4 ft.	4SNLED-LD5-64SL-LN-UNV-L8XX-CD1-U	6435	55	116.7
Semi-Frost Lens (LN)	High	4 ft.	4SNLED-LD5-50HL-LN-UNV-L8XX-CD1-U	5020	37	135.4
Semi-Frost Lens (LN)	High	4 ft.	4SNLED-LD5-54HL-LN-UNV-L8XX-CD1-U	5252	39	134.5
Semi-Frost Lens (LN)	High	4 ft.	4SNLED-LD5-60HL-LN-UNV-L8XX-CD1-U	5721	43	132.7
Semi-Frost Lens (LN)	High	4 ft.	4SNLED-LD5-74HL-LN-UNV-L8XX-CD1-U	7548	62	121.5
Semi-Frost Lens (LN)	Standard	8 ft.	8TSNLED-LD5-60SL-LN-UNV-L8XX-CD1-U	5975	42	141.2
Semi-Frost Lens (LN)	Standard	8 ft.	8TSNLED-LD5-68SL-LN-UNV-L8XX-CD1-U	6926	50	139.2
Semi-Frost Lens (LN)	Standard	8 ft.	8TSNLED-LD5-75SL-LN-UNV-L8XX-CD1-U	7619	55	137.5
Semi-Frost Lens (LN)	Standard	8 ft.	8TSNLED-LD5-83SL-LN-UNV-L8XX-CD1-U	8289	61	135.6
Semi-Frost Lens (LN)	Standard	8 ft.	8TSNLED-LD5-91SL-LN-UNV-L8XX-CD1-U	9162	69	132.8
Semi-Frost Lens (LN)	Standard	8 ft.	8TSNLED-LD5-98SL-LN-UNV-L8XX-CD1-U	9807	75	130.4
Semi-Frost Lens (LN)	Standard	8 ft.	8TSNLED-LD5-106SL-LN-UNV-L8XX-CD1-U	10636	82	129.4
Semi-Frost Lens (LN)	High	8 ft.	8TSNLED-LD5-130HL-LN-UNV-L8XX-CD2-U	11442	86	132.7
Semi-Frost Lens (LN)	High	8 ft.	8TSNLED-LD5-170HL-LN-UNV-L8XX-CD2-U	15095	124	121.5

* Consult factory for stock availability. ** Lumen portion of catalog number may not match actual lumens.

Energy and Performance Data

Wattage: Round Full-frost Lens, Wide

SNLED Type	Lumen Type	Length	Catalog Number**	Nominal 3500K Lumens	Wattage	lm/W
Full Frost Lens (LW)	Standard	2 ft.	2SNLED-LD5-16SL-LW-UNV-L8XX-CD1-U	1750	14	122.7
Full Frost Lens (LW)	Standard	2 ft.	2SNLED-LD5-20SL-LW-UNV-L8XX-CD1-U	2162	18	119.4
Full Frost Lens (LW)	Standard	2 ft.	2SNLED-LD5-23SL-LW-UNV-L8XX-CD1-U	2453	21	117.1
Full Frost Lens (LW)	High	2 ft.	2SNLED-LD5-30HL-LW-UNV-L8XX-CD1-U	2975	27	112.0
Full Frost Lens (LW)	Standard	4 ft.	4SNLED-LD5-16SL-LW-UNV-L8XX-CD1-U	1688	13	129.5
Full Frost Lens (LW)	Standard	4 ft.	4SNLED-LD5-20SL-LW-UNV-L8XX-CD1-U	2093	16	130.8
Full Frost Lens (LW)	Standard	4 ft.	4SNLED-LD5-23SL-LW-UNV-L8XX-CD1-U	2410	18	130.7
Full Frost Lens (LW)	Standard	4 ft.	4SNLED-LD5-27SL-LW-UNV-L8XX-CD1-U	2748	21	129.8
Full Frost Lens (LW)	Standard	4 ft.	4SNLED-LD5-30SL-LW-UNV-L8XX-CD1-U	3186	25	128.0
Full Frost Lens (LW)	Standard	4 ft.	4SNLED-LD5-33SL-LW-UNV-L8XX-CD1-U	3504	28	126.5
Full Frost Lens (LW)	Standard	4 ft.	4SNLED-LD5-37SL-LW-UNV-L8XX-CD1-U	3812	31	124.7
Full Frost Lens (LW)	Standard	4 ft.	4SNLED-LD5-41SL-LW-UNV-L8XX-CD1-U	4214	35	122.1
Full Frost Lens (LW)	Standard	4 ft.	4SNLED-LD5-44SL-LW-UNV-L8XX-CD1-U	4511	38	120.0
Full Frost Lens (LW)	Standard	4 ft.	4SNLED-LD5-47SL-LW-UNV-L8XX-CD1-U	4892	41	119.1
Full Frost Lens (LW)	Standard	4 ft.	4SNLED-LD5-50SL-LW-UNV-L8XX-CD1-U	5251	46	113.8
Full Frost Lens (LW)	Standard	4 ft.	4SNLED-LD5-56SL-LW-UNV-L8XX-CD1-U	5678	52	109.9
Full Frost Lens (LW)	Standard	4 ft.	4SNLED-LD5-58SL-LW-UNV-L8XX-CD1-U	5920	55	107.3
Full Frost Lens (LW)	High	4 ft.	4SNLED-LD5-44HL-LW-UNV-L8XX-CD1-U	4412	37	119.0
Full Frost Lens (LW)	High	4 ft.	4SNLED-LD5-48HL-LW-UNV-L8XX-CD1-U	4615	39	118.2
Full Frost Lens (LW)	High	4 ft.	4SNLED-LD5-54HL-LW-UNV-L8XX-CD1-U	5028	43	116.6
Full Frost Lens (LW)	High	4 ft.	4SNLED-LD5-65HL-LW-UNV-L8XX-CD1-U	6633	62	106.7
Full Frost Lens (LW)	Standard	8 ft.	8TSNLED-LD5-54SL-LW-UNV-L8XX-CD1-U	5496	42	129.8
Full Frost Lens (LW)	Standard	8 ft.	8TSNLED-LD5-61SL-LW-UNV-L8XX-CD1-U	6371	50	128.0
Full Frost Lens (LW)	Standard	8 ft.	8TSNLED-LD5-67SL-LW-UNV-L8XX-CD1-U	6371	50	128.0
Full Frost Lens (LW)	Standard	8 ft.	8TSNLED-LD5-74SL-LW-UNV-L8XX-CD1-U	7625	61	124.7
Full Frost Lens (LW)	Standard	8 ft.	8TSNLED-LD5-81SL-LW-UNV-L8XX-CD1-U	8428	69	122.1
Full Frost Lens (LW)	Standard	8 ft.	8TSNLED-LD5-88SL-LW-UNV-L8XX-CD1-U	9022	75	120.0
Full Frost Lens (LW)	Standard	8 ft.	8TSNLED-LD5-95SL-LW-UNV-L8XX-CD1-U	9785	82	119.1
Full Frost Lens (LW)	High	8 ft.	8TSNLED-LD5-110HL-LW-UNV-L8XX-CD1-U	11356	103	109.9
Full Frost Lens (LW)	High	8 ft.	8TSNLED-LD5-150HL-LW-UNV-L8XX-CD2-U	15739	158	99.5

* Consult factory for stock availability. ** Lumen portion of catalog number may not match actual lumens.

Energy and Performance Data

Wattage: Square Flat Clear Lens

SNLED Type	Lumen Type	Length	Catalog Number**	Nominal 3500K Lumens	Wattage	lm/W
Flat Clear Lens (SLC)	Standard	2 ft.	2SNLED-LD5-19SL-SLC-UNV-L8XX-CD1-U	1936	14	135.7
Flat Clear Lens (SLC)	Standard	2 ft.	2SNLED-LD5-24SL-SLC-UNV-L8XX-CD1-U	2391	18	132.1
Flat Clear Lens (SLC)	Standard	2 ft.	2SNLED-LD5-27SL-SLC-UNV-L8XX-CD1-U	2714	21	129.5
Flat Clear Lens (SLC)	High	2 ft.	2SNLED-LD5-37HL-SLC-UNV-L8XX-CD1-U	3669	27	138.1
Flat Clear Lens (SLC)	High	2 ft.	2SNLED-LD5-48HL-SLC-UNV-L8XX-CD1-U	4830	36	134.5
Flat Clear Lens (SLC)	Standard	4 ft.	4SNLED-LD5-19SL-SLC-UNV-L8XX-CD1-U	1868	13	143.3
Flat Clear Lens (SLC)	Standard	4 ft.	4SNLED-LD5-23SL-SLC-UNV-L8XX-CD1-U	2316	16	144.7
Flat Clear Lens (SLC)	Standard	4 ft.	4SNLED-LD5-27SL-SLC-UNV-L8XX-CD1-U	2666	18	144.5
Flat Clear Lens (SLC)	Standard	4 ft.	4SNLED-LD5-30SL-SLC-UNV-L8XX-CD1-U	3040	21	143.6
Flat Clear Lens (SLC)	Standard	4 ft.	4SNLED-LD5-35SL-SLC-UNV-L8XX-CD1-U	3524	25	141.6
Flat Clear Lens (SLC)	Standard	4 ft.	4SNLED-LD5-39SL-SLC-UNV-L8XX-CD1-U	3876	28	139.9
Flat Clear Lens (SLC)	Standard	4 ft.	4SNLED-LD5-42SL-SLC-UNV-L8XX-CD1-U	4217	31	138.0
Flat Clear Lens (SLC)	Standard	4 ft.	4SNLED-LD5-47SL-SLC-UNV-L8XX-CD1-U	4662	35	135.1
Flat Clear Lens (SLC)	Standard	4 ft.	4SNLED-LD5-50SL-SLC-UNV-L8XX-CD1-U	4990	38	132.7
Flat Clear Lens (SLC)	Standard	4 ft.	4SNLED-LD5-54SL-SLC-UNV-L8XX-CD1-U	5412	41	131.7
Flat Clear Lens (SLC)	Standard	4 ft.	4SNLED-LD5-58SL-SLC-UNV-L8XX-CD1-U	5809	46	125.9
Flat Clear Lens (SLC)	Standard	4 ft.	4SNLED-LD5-63SL-SLC-UNV-L8XX-CD1-U	6281	52	121.6
Flat Clear Lens (SLC)	Standard	4 ft.	4SNLED-LD5-65SL-SLC-UNV-L8XX-CD1-U	6549	55	118.7
Flat Clear Lens (SLC)	Standard	4 ft.	4SNLED-LD5-77SL-SLC-UNV-L8XX-CD1-U	7697	70	110.0
Flat Clear Lens (SLC)	Standard	4 ft.	4SNLED-LD5-85SL-SLC-UNV-L8XX-CD1-U	8490	85	100.4
Flat Clear Lens (SLC)	High	4 ft.	4SNLED-LD5-54HL-SLC-UNV-L8XX-CD1-U	5441	37	146.8
Flat Clear Lens (SLC)	High	4 ft.	4SNLED-LD5-57HL-SLC-UNV-L8XX-CD1-U	5692	39	145.7
Flat Clear Lens (SLC)	High	4 ft.	4SNLED-LD5-62HL-SLC-UNV-L8XX-CD1-U	6201	43	143.8
Flat Clear Lens (SLC)	High	4 ft.	4SNLED-LD5-68HL-SLC-UNV-L8XX-CD1-U	6795	48	140.8
Flat Clear Lens (SLC)	High	4 ft.	4SNLED-LD5-82HL-SLC-UNV-L8XX-CD1-U	8181	62	131.7
Flat Clear Lens (SLC)	High	4 ft.	4SNLED-LD5-97HL-SLC-UNV-L8XX-CD1-U	9705	79	122.7
Flat Clear Lens (SLC)	Standard	8 ft.	8TSNLED-LD5-60SL-SLC-UNV-L8XX-CD1-U	6080	42	143.6
Flat Clear Lens (SLC)	Standard	8 ft.	8TSNLED-LD5-70SL-SLC-UNV-L8XX-CD1-U	7048	50	141.6
Flat Clear Lens (SLC)	Standard	8 ft.	8TSNLED-LD5-78SL-SLC-UNV-L8XX-CD1-U	7753	50	139.9
Flat Clear Lens (SLC)	Standard	8 ft.	8TSNLED-LD5-84SL-SLC-UNV-L8XX-CD1-U	8435	61	138.0
Flat Clear Lens (SLC)	Standard	8 ft.	8TSNLED-LD5-93SL-SLC-UNV-L8XX-CD1-U	9323	69	135.1
Flat Clear Lens (SLC)	Standard	8 ft.	8TSNLED-LD5-100SL-SLC-UNV-L8XX-CD1-U	9980	75	132.7
Flat Clear Lens (SLC)	Standard	8 ft.	8TSNLED-LD5-108SL-SLC-UNV-L8XX-CD1-U	10824	82	131.7
Flat Clear Lens (SLC)	Standard	8 ft.	8TSNLED-LD5-116SL-SLC-UNV-L8XX-CD1-U	11618	61	125.9
Flat Clear Lens (SLC)	Standard	8 ft.	8TSNLED-LD5-125SL-SLC-UNV-L8XX-CD2-U	12562	69	121.6
Flat Clear Lens (SLC)	Standard	8 ft.	8TSNLED-LD5-131SL-SLC-UNV-L8XX-CD2-U	13097	75	118.7
Flat Clear Lens (SLC)	High	8 ft.	8TSNLED-LD5-130HL-SLC-UNV-L8XX-CD2-U	12402	82	143.8
Flat Clear Lens (SLC)	High	8 ft.	8TSNLED-LD5-170HL-SLC-UNV-L8XX-CD2-U	16361	103	131.7
Flat Clear Lens (SLC)	High	8 ft.	8TSNLED-LD5-200HL-SLC-UNV-L8XX-CD2-U	19411	158	122.7

* Consult factory for stock availability. ** Lumen portion of catalog number may not match actual lumens.

Energy and Performance Data

Wattage: Square Flat Semi-frost Lens, Narrow

SNLED Type	Lumen Type	Length	Catalog Number**	Nominal 3500K Lumens	Wattage	lm/W
Flat Semi-frost Lens (SLN)	Standard	2 ft.	2SNLED-LD5-19SL-SLN-UNV-L8XX-CD1-U	1931	14	135.3
Flat Semi-frost Lens (SLN)	Standard	2 ft.	2SNLED-LD5-24SL-SLN-UNV-L8XX-CD1-U	2385	18	131.7
Flat Semi-frost Lens (SLN)	Standard	2 ft.	2SNLED-LD5-27SL-SLN-UNV-L8XX-CD1-U	2706	21	129.1
Flat Semi-frost Lens (SLN)	High	2 ft.	2SNLED-LD5-37HL-SLN-UNV-L8XX-CD1-U	3659	27	137.7
Flat Semi-frost Lens (SLN)	High	2 ft.	2SNLED-LD5-48HL-SLN-UNV-L8XX-CD1-U	4816	36	134.2
Flat Semi-frost Lens (SLN)	Standard	4 ft.	4SNLED-LD5-19SL-SLN-UNV-L8XX-CD1-U	1863	13	142.9
Flat Semi-frost Lens (SLN)	Standard	4 ft.	4SNLED-LD5-23SL-SLN-UNV-L8XX-CD1-U	2309	16	144.3
Flat Semi-frost Lens (SLN)	Standard	4 ft.	4SNLED-LD5-27SL-SLN-UNV-L8XX-CD1-U	2659	18	144.1
Flat Semi-frost Lens (SLN)	Standard	4 ft.	4SNLED-LD5-30SL-SLN-UNV-L8XX-CD1-U	3032	21	143.2
Flat Semi-frost Lens (SLN)	Standard	4 ft.	4SNLED-LD5-35SL-SLN-UNV-L8XX-CD1-U	3514	25	141.2
Flat Semi-frost Lens (SLN)	Standard	4 ft.	4SNLED-LD5-39SL-SLN-UNV-L8XX-CD1-U	3866	28	139.5
Flat Semi-frost Lens (SLN)	Standard	4 ft.	4SNLED-LD5-42SL-SLN-UNV-L8XX-CD1-U	4206	31	137.6
Flat Semi-frost Lens (SLN)	Standard	4 ft.	4SNLED-LD5-46SL-SLN-UNV-L8XX-CD1-U	4649	35	134.7
Flat Semi-frost Lens (SLN)	Standard	4 ft.	4SNLED-LD5-50SL-SLN-UNV-L8XX-CD1-U	4976	38	132.4
Flat Semi-frost Lens (SLN)	Standard	4 ft.	4SNLED-LD5-54SL-SLN-UNV-L8XX-CD1-U	5397	41	131.4
Flat Semi-frost Lens (SLN)	Standard	4 ft.	4SNLED-LD5-58SL-SLN-UNV-L8XX-CD1-U	5793	46	125.6
Flat Semi-frost Lens (SLN)	Standard	4 ft.	4SNLED-LD5-63SL-SLN-UNV-L8XX-CD1-U	6264	52	121.3
Flat Semi-frost Lens (SLN)	Standard	4 ft.	4SNLED-LD5-65SL-SLN-UNV-L8XX-CD1-U	6530	55	118.4
Flat Semi-frost Lens (SLN)	Standard	4 ft.	4SNLED-LD5-78SL-SLN-UNV-L8XX-CD1-U	7676	70	109.7
Flat Semi-frost Lens (SLN)	Standard	4 ft.	4SNLED-LD5-85SL-SLN-UNV-L8XX-CD1-U	8466	85	100.1
Flat Semi-frost Lens (SLN)	High	4 ft.	4SNLED-LD5-54HL-SLN-UNV-L8XX-CD1-U	5426	37	146.4
Flat Semi-frost Lens (SLN)	High	4 ft.	4SNLED-LD5-57HL-SLN-UNV-L8XX-CD1-U	5676	39	145.3
Flat Semi-frost Lens (SLN)	High	4 ft.	4SNLED-LD5-62HL-SLN-UNV-L8XX-CD1-U	6184	43	143.4
Flat Semi-frost Lens (SLN)	High	4 ft.	4SNLED-LD5-68HL-SLN-UNV-L8XX-CD1-U	6776	48	140.5
Flat Semi-frost Lens (SLN)	High	4 ft.	4SNLED-LD5-82HL-SLN-UNV-L8XX-CD1-U	8158	62	131.3
Flat Semi-frost Lens (SLN)	High	4 ft.	4SNLED-LD5-97HL-SLN-UNV-L8XX-CD1-U	9679	79	122.4
Flat Semi-frost Lens (SLN)	Standard	8 ft.	8TSNLED-LD5-64SL-SLN-UNV-L8XX-CD1-U	6063	42	143.2
Flat Semi-frost Lens (SLN)	Standard	8 ft.	8TSNLED-LD5-70SL-SLN-UNV-L8XX-CD1-U	7028	50	141.2
Flat Semi-frost Lens (SLN)	Standard	8 ft.	8TSNLED-LD5-77SL-SLN-UNV-L8XX-CD1-U	7731	55	139.5
Flat Semi-frost Lens (SLN)	Standard	8 ft.	8TSNLED-LD5-84SL-SLN-UNV-L8XX-CD1-U	8411	61	137.6
Flat Semi-frost Lens (SLN)	Standard	8 ft.	8TSNLED-LD5-93SL-SLN-UNV-L8XX-CD1-U	9297	69	134.7
Flat Semi-frost Lens (SLN)	Standard	8 ft.	8TSNLED-LD5-100SL-SLN-UNV-L8XX-CD1-U	9952	75	132.4
Flat Semi-frost Lens (SLN)	Standard	8 ft.	8TSNLED-LD5-108SL-SLN-UNV-L8XX-CD1-U	10794	82	131.4
Flat Semi-frost Lens (SLN)	Standard	8 ft.	8TSNLED-LD5-116SL-SLN-UNV-L8XX-CD1-U	11586	92	125.6
Flat Semi-frost Lens (SLN)	Standard	8 ft.	8TSNLED-LD5-125SL-SLN-UNV-L8XX-CD2-U	12527	103	121.3
Flat Semi-frost Lens (SLN)	Standard	8 ft.	8TSNLED-LD5-130SL-SLN-UNV-L8XX-CD2-U	13061	110	118.4
Flat Semi-frost Lens (SLN)	High	8 ft.	8TSNLED-LD5-130HL-SLN-UNV-L8XX-CD2-U	12368	86	143.4
Flat Semi-frost Lens (SLN)	High	8 ft.	8TSNLED-LD5-170HL-SLN-UNV-L8XX-CD2-U	16316	124	131.3
Flat Semi-frost Lens (SLN)	High	8 ft.	8TSNLED-LD5-200HL-SLN-UNV-L8XX-CD2-U	19357	158	122.4

* Consult factory for stock availability. ** Lumen portion of catalog number may not match actual lumens.

Energy and Performance Data

Wattage: Square Flat Full-frost Lens, Wide

SNLED Type	Lumen Type	Length	Catalog Number**	Nominal 3500K Lumens	Wattage	lm/W
Flat Full-frost Lens (SLW)	Standard	2 ft.	2SNLED-LD5-16SL-SLW-UNV-L8XX-CD1-U	1604	14	112.4
Flat Full-frost Lens (SLW)	Standard	2 ft.	2SNLED-LD5-20SL-SLW-UNV-L8XX-CD1-U	1981	18	109.4
Flat Full-frost Lens (SLW)	Standard	2 ft.	2SNLED-LD5-22SL-SLW-UNV-L8XX-CD1-U	2248	21	107.3
Flat Full-frost Lens (SLW)	High	2 ft.	2SNLED-LD5-30HL-SLW-UNV-L8XX-CD1-U	3077	27	115.8
Flat Full-frost Lens (SLW)	High	2 ft.	2SNLED-LD5-41HL-SLW-UNV-L8XX-CD1-U	4051	36	
Flat Full-frost Lens (SLW)	Standard	4 ft.	4SNLED-LD5-15SL-SLW-UNV-L8XX-CD1-U	1547	13	118.7
Flat Full-frost Lens (SLW)	Standard	4 ft.	4SNLED-LD5-19SL-SLW-UNV-L8XX-CD1-U	1918	16	119.8
Flat Full-frost Lens (SLW)	Standard	4 ft.	4SNLED-LD5-22SL-SLW-UNV-L8XX-CD1-U	2209	18	119.7
Flat Full-frost Lens (SLW)	Standard	4 ft.	4SNLED-LD5-25SL-SLW-UNV-L8XX-CD1-U	2518	21	119.0
Flat Full-frost Lens (SLW)	Standard	4 ft.	4SNLED-LD5-29SL-SLW-UNV-L8XX-CD1-U	2919	25	117.3
Flat Full-frost Lens (SLW)	Standard	4 ft.	4SNLED-LD5-32SL-SLW-UNV-L8XX-CD1-U	3211	28	115.9
Flat Full-frost Lens (SLW)	Standard	4 ft.	4SNLED-LD5-35SL-SLW-UNV-L8XX-CD1-U	3494	31	114.3
Flat Full-frost Lens (SLW)	Standard	4 ft.	4SNLED-LD5-39SL-SLW-UNV-L8XX-CD1-U	3862	35	111.9
Flat Full-frost Lens (SLW)	Standard	4 ft.	4SNLED-LD5-41SL-SLW-UNV-L8XX-CD1-U	4134	38	110.0
Flat Full-frost Lens (SLW)	Standard	4 ft.	4SNLED-LD5-45SL-SLW-UNV-L8XX-CD1-U	4483	41	109.1
Flat Full-frost Lens (SLW)	Standard	4 ft.	4SNLED-LD5-48SL-SLW-UNV-L8XX-CD1-U	4812	46	104.3
Flat Full-frost Lens (SLW)	Standard	4 ft.	4SNLED-LD5-52SL-SLW-UNV-L8XX-CD1-U	5203	52	100.7
Flat Full-frost Lens (SLW)	Standard	4 ft.	4SNLED-LD5-54SL-SLW-UNV-L8XX-CD1-U	5425	55	98.4
Flat Full-frost Lens (SLW)	Standard	4 ft.	4SNLED-LD5-64SL-SLW-UNV-L8XX-CD1-U	6376	70	91.1
Flat Full-frost Lens (SLW)	Standard	4 ft.	4SNLED-LD5-70SL-SLW-UNV-L8XX-CD1-U	7033	48	83.1
Flat Full-frost Lens (SLW)	High	4 ft.	4SNLED-LD5-46HL-SLW-UNV-L8XX-CD1-U	4564	37	123.1
Flat Full-frost Lens (SLW)	High	4 ft.	4SNLED-LD5-48HL-SLW-UNV-L8XX-CD1-U	4774	39	122.2
Flat Full-frost Lens (SLW)	High	4 ft.	4SNLED-LD5-52HL-SLW-UNV-L8XX-CD1-U	5201	43	120.6
Flat Full-frost Lens (SLW)	High	4 ft.	4SNLED-LD5-57HL-SLW-UNV-L8XX-CD1-U	5699	48	118.1
Flat Full-frost Lens (SLW)	High	4 ft.	4SNLED-LD5-69HL-SLW-UNV-L8XX-CD1-U	6862	62	110.4
Flat Full-frost Lens (SLW)	High	4 ft.	4SNLED-LD5-81HL-SLW-UNV-L8XX-CD1-U	8141	79	102.9
Flat Full-frost Lens (SLW)	Standard	8 ft.	8TSNLED-LD5-50SL-SLW-UNV-L8XX-CD1-U	5037	42	119.0
Flat Full-frost Lens (SLW)	Standard	8 ft.	8TSNLED-LD5-58SL-SLW-UNV-L8XX-CD1-U	5838	50	117.3
Flat Full-frost Lens (SLW)	Standard	8 ft.	8TSNLED-LD5-64SL-SLW-UNV-L8XX-CD1-U	6422	55	115.9
Flat Full-frost Lens (SLW)	Standard	8 ft.	8TSNLED-LD5-70SL-SLW-UNV-L8XX-CD1-U	6987	61	114.3
Flat Full-frost Lens (SLW)	Standard	8 ft.	8TSNLED-LD5-77SL-SLW-UNV-L8XX-CD1-U	7723	69	111.9
Flat Full-frost Lens (SLW)	Standard	8 ft.	8TSNLED-LD5-83SL-SLW-UNV-L8XX-CD1-U	8267	75	110.0
Flat Full-frost Lens (SLW)	Standard	8 ft.	8TSNLED-LD5-90SL-SLW-UNV-L8XX-CD1-U	8966	82	109.1
Flat Full-frost Lens (SLW)	Standard	8 ft.	8TSNLED-LD5-96SL-SLW-UNV-L8XX-CD1-U	9624	92	104.3
Flat Full-frost Lens (SLW)	Standard	8 ft.	8TSNLED-LD5-104SL-SLW-UNV-L8XX-CD1-U	10406	103	100.7
Flat Full-frost Lens (SLW)	Standard	8 ft.	8TSNLED-LD5-108SL-SLW-UNV-L8XX-CD1-U	10850	110	98.4
Flat Full-frost Lens (SLW)	High	8 ft.	8TSNLED-LD5-130HL-SLW-UNV-L8XX-CD2-U	10402	86	120.6
Flat Full-frost Lens (SLW)	High	8 ft.	8TSNLED-LD5-170HL-SLW-UNV-L8XX-CD2-U	13723	124	110.4
Flat Full-frost Lens (SLW)	High	8 ft.	8TSNLED-LD5-200HL-SLW-UNV-L8XX-CD2-U	16281	158	102.9

* Consult factory for stock availability. ** Lumen portion of catalog number may not match actual lumens.