

Project		Catalog #		Type	
Prepared by		Notes		Date	



# Metalux

## Vaportite LED

### 4' Industrial LED Lamp Vaportite Industrial Refrigerated Case

#### Typical Applications

Parking Garage • Cold Storage • Canopy • Warehouse • Food Processing • Manufacturing • Complex Environments

### Interactive Menu

- Order Information [page 2](#)
- Photometric Data [page 3](#)
- Product Warranty

### Product Certification



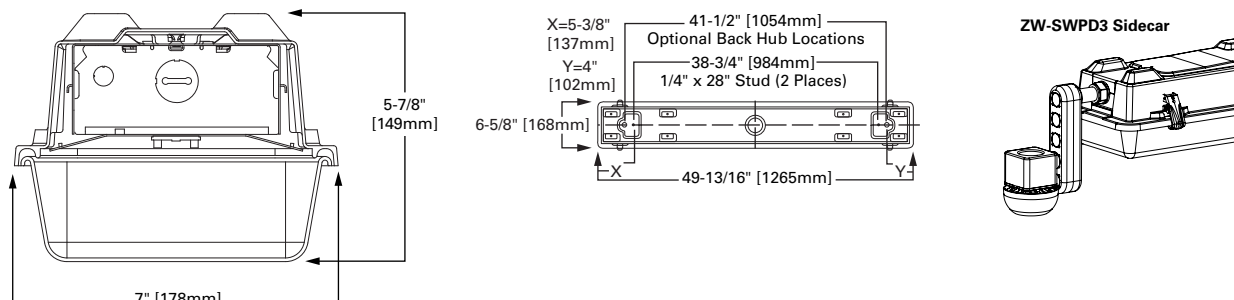
### Product Features



### Top Product Features

- 2ft, 4ft, and 8ft Sealed and Gasketed Vaportite
- Lumen packages up to 22K lumens
- High-Performance efficacy up to 150 LPW
- LEDs available in 3500K, 4000K and 5000K at 80 CRI
- Rated for -40c to 35c ambient
- Options to meet Buy American and other domestic preference requirements

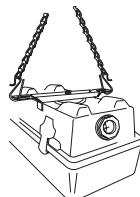
### Dimensional and Mounting Details



### Installation Data



**MOUNTING BRACKETS**  
Furnished  
Two per 2' and 4' Unit  
Four per 8' Unit

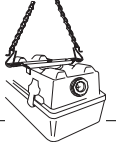


**OPTIONAL CHAN HANGING SET**  
(VT2-CHAIN/SET-U)  
Includes 6 ft. of chain, 4 large S-Hooks and 4 small S-Hooks  
Order One (1) Kit for each 2' or 4' Fixture

## Order Information

SAMPLE ORDER NUMBER: **4VT2-LD5-4-DR-UNV-L840-CD1-WL-U**

Domestic Preferences	Series	Lamp Type	LED Lumens Output	Lens	Distribution	Voltage	Remote Emergency Enclosure
Domestic Preferences <sup>(1)</sup>	Series <sup>(2)</sup>	Lamp Type	LED Lumens Output	Lens	Distribution	Voltage	Remote Emergency Enclosure
<b>[Blank]</b> =Standard <b>BAA</b> =Buy American Act <b>TAA</b> =Trade Agreements Act	<b>4VT2</b> =4' Vaportite	<b>LD5</b> =LED 5.0	<b>4</b> =4000 Lumens <b>6</b> =6000 Lumens <b>8</b> =8000 Lumens <b>11</b> =11000 Lumens	<b>DR</b> =Internal Prismatic Lens/15% DR High Impact Additive <b>DR100</b> =Internal Prismatic Lens/100% DR High Impact Additive <b>FR50</b> =Frosted Lens/15% DR High Impact Additive <sup>(3)</sup>	<b>[Blank]</b> =Medium (Standard) <b>W</b> =Wide Distribution	<b>347V</b> =347 Volt <b>UNV</b> =Universal Voltage 120-277	<b>EL10W</b> =10-watt, 120-277V emergency battery pack installed <sup>(4)</sup> <b>VT-REM-EL</b> =Remote Emergency Installed, 700 lumens <sup>(4)</sup>
<b>Notes</b> (1) Only product configurations with these designated prefixes are built to be compliant with the Buy American Act of 1933 (BAA) or Trade Agreements Act of 1979 (TAA), respectively. Please refer to <a href="#">DOMESTIC PREFERENCES</a> website for more information. Components shipped separately may be separately analyzed under domestic preference requirements.	<b>Notes</b> (2) DesignLights Consortium® Qualified and classified for both DLC Standard and DLC Premium, refer to <a href="#">www.designlights.org</a> for details.			<b>Notes</b> (3) Not available in wide distribution.			<b>Notes</b> (4) EL must specify 120 or 277V only.

Lamps	Driver Type	Label	Options	Packaging	Accessories
Lamps	Driver Type	Label	Options	Packaging	Accessories (order separately) <sup>(7)</sup>
<b>L835</b> =3500K, LED <b>L840</b> =4000K, LED <b>L850</b> =5000K, LED	<b>CD1</b> =1 Dimming Driver <b>5LTD1</b> =Fifth Light DALI	<b>WL</b> =Wet Location Label	<b>SSL</b> =Stainless Steel Latches <b>GL</b> =Single Element Fuse <b>TH</b> =(2) Top Watertite Hubs <b>TEH</b> =(2) Top and (2) End Watertite Hubs (all Watertite Hubs have 1/2" Conduit Entry) <b>MS</b> =Damp Listed Motion Sensor <b>MSWL20</b> =Wet Listed Motion Sensor, max 20ft mounting height <b>ZW-SWPD3</b> =WaveLinX Wireless Sensor, Sidecar mount, with 1200 sq ft. coverage <sup>(5)</sup> <b>WLS4</b> =WaveLinX Lite Wireless Integrated Sensor, 15'-40' Mounting Height <sup>(5), (6)</sup>	<b>U</b> =Unit Pack	<b>VT2-Chain/Set-U</b> =Chain Hanging Set. Includes 6 ft. of chain, 4 large S-Hooks and 4 small S-Hooks Order One (1) Kit for each 2' or 4' Fixture <b>VT2-SS-MBK</b> =Stainless Steel Mounting Bracket 
			<b>Notes</b> (5) Not available in 11,000 lumen fixture. Not available with 347V, 480V, or UNC. Not available with 5LTD option. (6) WaveLinX Lite devices are not currently compatible with the WaveLinX Pro Wireless Area Controller.		<b>Notes</b> (7) Accessories sold separately will be separately analyzed under domestic preference requirements. Consult factory for further information.

## Product Specifications

### Construction

- Rugged and durable construction
- Fiberglass housing is reinforced polyester and self-extinguishing (ASTM-D635-74) plastic
- Full metal fixture liner
- Watertight housing
- 1/2" conduit entry at each end of housing (standard) for continuous feed
- Polyurethane gasketing provides a continuous seamless seal for the diffuser lens
- Four sturdy cam latches clamp diffuser tightly for a positive seal between housing, gasketing and diffuser
- Surface or chain mounting

### Electrical

- Long-Life LED system coupled with electrical driver for optimal performance
- LED's available in 3500K, 4000K and 5000K with a CRI ≥ 80
- Projected life is 60,000 hours at 91% lumen output
- Electronic drivers are available for 120-277V applications
- 0-10V dimming control (standard)
- Operating temperature of -40°C to 35°C; Ideal for cold storage environments

### Lens

- High-impact diffuser lens
- Internal Prismatic Lens with 15% DR High Impact Additive (DR) or Internal Prismatic Lens with 100% DR High Impact Additive (DR100)
- Frosted Lens with 15% DR High Impact Additive (FR50) option

### Finish

- Housing is permanent pearl gray color

### Warranty

- Five-year limited warranty

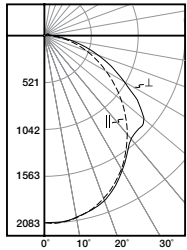
### Compliance

- UL/cUL listed for Wet location
- RoHS compliant
- LED modules comply with IESNA LM-79 and LM-80 standards
- NSF listed
- DesignLights Consortium® Qualified and classified for both DLC Standard and DLC Premium (refer to [www.designlights.org](#) for details)
- The VT2 Series ratings apply to Horizontal Mounting only

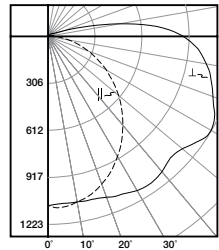
**WaveLinX Lite devices are not currently compatible with the WaveLinX Pro Wireless Area Controller**

## Photometric Data

[View IES files](#)



**4VT2-LD5-6-DR-UNV-L840-CD1-WL-U**  
 Electronic Driver  
 Linear LED 4000K  
 Spacing criterion: (H) 1.21 x mounting height,  
 (L) 1.22 x mounting height  
 Lumens: 6197  
 Input Watts: 50.6W  
 Efficacy: 122.5 lm/W  
 Test Report:  
 4VT2-LD5-6-DR-UNV-L840-CD1-WL-U.IES



**4VT2-LD5-6-DR-W-UNV-L840-CD1-WL-U**  
 Electronic Driver  
 Linear LED 4000K  
 Spacing criterion: (H) 1.22 x mounting height,  
 (L) 1.6 x mounting height  
 Lumens: 5931  
 Input Watts: 50.6W  
 Efficacy: 117.2 lm/W  
 Test Report:  
 4VT2-LD5-6-DR-W-UNV-L840-CD1-WL-U.IES

## Energy and Performance Data

### Lumen Maintenance

Ambient Temperature	TM-21 Lumen Maintenance (60,000 hours)	Theoretical L70 (Hours)
25°C	> 91%	> 237,000

### Shipping Data

Catalog No.	Wt.
4VT2-LD5	18 lbs.

### Input Watts:

4VT2-LD5-4 (4,000 lumens)=30W
4VT2-LD5-6 (6,000 lumens)=51W
4VT2-LD5-8 (8,000 lumens)=58W
4VT2-LD5-11 (11,000 lumens)=82W