

DESCRIPTION

The WN Series is a specification wraparound luminaire featuring energy efficient performance. The luminaire's clean, low profile design is both appealing and functional. The WN Series utilizes a clear, low brightness, extruded acrylic refractor for high performance and aesthetics.

The efficient and stylish WN Series is the perfect wraparound for schools, offices and other commercial and retail spaces.

Catalog #		Type	
Project		Date	
Comments			
Prepared by			

SPECIFICATION FEATURES

Construction

Housing consists of die formed cold rolled steel. Ends formed with the housing for strength and provisions for continuous row aligners. Steel end plates with 7/8" KO and light-seal embossment. Ballast cover easily removed without tools.

Electrical*

Ballasts are CBM/ETL Class "P" and are positively secured by mounting bolt. Rotor lock lampholders. UL/CUL listed. Suitable for damp locations.

Lens

100% clear acrylic prismatic lens. Sides have inside linear prisms and bottom has pyramidal prisms for low brightness control.

Finish

Multistage, prepaint ensures maximum bonding and rust prevention.

Compliance

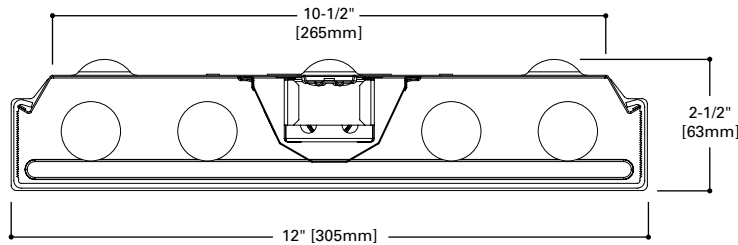
Suitable for use in clothes closets when installed in accordance with the NEC 410.16 spacing requirements.



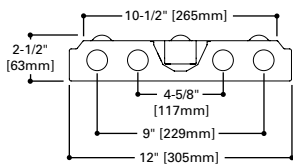
WN
428T5
454T5

4' SURFACE
4 T5 LAMPS

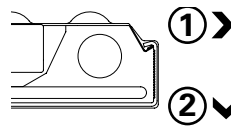
Commercial Wrap



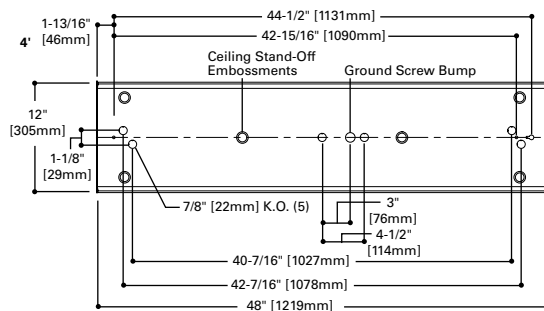
LAMP CONFIGURATIONS



LENS REMOVAL



MOUNTING DATA



ENERGY DATA

Input Watts:
EB Ballast & STD Lamps
428T5 (131)
454T5 (226)

Luminaire Efficacy Rating
LER = FW-68
Catalog Number: WN-428T5
Yearly Cost of 1000 lumens,
3000 hrs at .08 KWH = \$3.53

*Reference the lamp/ballast data in the Technical Section for specific lamp/ballast requirements.

LAMPS CONTAIN MERCURY. DISPOSE ACCORDING TO LOCAL, STATE OR FEDERAL LAWS

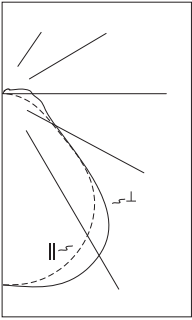
LINEAR DISCONNECT

Safe and convenient means of disconnecting power.



ADF081675
October 16, 2019

PHOTOMETRICS



WN-428T5-EB82-U
Energy Saving Ballast

F28T5 Lamps
2600 Lumens

Spacing criterion:
(H) 1.3 x mounting height, (⊥) 1.4 x mounting height

Efficiency 87.9%

Test Report:
134P134

LER = FW-68

Yearly Cost of 1000 lumens, 3000 hrs at .08 KWH = \$3.53

Coefficients of Utilization

rc	Effective floor cavity reflectance								20%															
	80%				70%				50%				30%				10%				0%			
	rw	70	50	30	10	70	50	30	10	50	30	10	50	30	10	50	30	10	50	30	10	0		
RCR																								
0	103	103	103	103	100	100	100	100	94	94	94	89	89	89	84	84	84	81	81	81	81			
1	94	90	86	83	91	87	84	81	82	79	77	78	75	73	73	72	70	68	68	68	68			
2	86	79	73	68	83	77	71	67	72	68	64	69	65	62	65	62	60	57	57	57	57			
3	79	70	63	57	76	68	62	56	64	59	55	61	57	53	58	54	51	49	49	49	49			
4	72	62	55	49	70	61	54	48	58	52	47	55	50	46	52	48	44	42	42	42	42			
5	67	56	48	43	64	54	47	42	52	46	41	49	44	40	47	43	39	37	37	37	37			
6	62	50	43	37	60	49	42	37	47	41	36	45	39	35	43	38	35	33	33	33	33			
7	57	46	38	33	55	45	38	33	43	37	32	41	36	31	39	34	31	29	29	29	29			
8	53	42	35	30	52	41	34	29	39	33	29	38	32	28	36	31	28	26	26	26	26			
9	50	38	31	27	48	38	31	26	36	30	26	35	29	25	33	29	25	23	23	23	23			
10	47	35	29	24	45	35	28	24	33	28	24	32	27	23	31	26	23	21	21	21	21			

Zonal Lumen Summary

Zone	Lumens	%Lamp	%Fixture
0-30	2506	24.1	27.4
0-40	4186	40.3	45.8
0-60	6906	66.4	75.5
0-90	8442	81.2	92.3
90-180	701	6.7	7.7
0-180	9143	87.9	100.0

Typical VCP Percentages

Room Size (Ft.)	Height Along		Height Across	
	8.5'	10.0'	8.5'	10.0'
20 x 20	46	52	41	49
30 x 30	39	43	29	37
30 x 60	33	36	15	20
60 x 30	38	43	33	40
60 x 60	30	34	17	22

Candela

Angle	Along H	45°	Across ⊥
0	3004	3004	3004
5	3008	3030	3037
10	2992	3045	3082
15	2943	3046	3115
20	2864	3022	3113
25	2754	2966	3064
30	2617	2870	2972
35	2447	2732	2830
40	2237	2533	2578
45	1953	2188	2129
50	1538	1688	1564
55	1099	1274	1152
60	845	981	915
65	665	745	779
70	520	568	702
75	375	438	649
80	237	356	587
85	113	289	509
90	3	204	445

ORDERING INFORMATION

SAMPLE NUMBER: WN-428T5-UNV-EBT1N-U

<p>Length Blank=4' Length</p>	<p>Series⁽¹⁾ WN=Commercial Surface Wrap</p>	<p>Number of Lamps⁽²⁾ 4=4 Lamps (Not Included)</p>	<p>Wattage 28T5=28WT5 (48") 54T5=54WT5HO (48")</p>	<p>Lens A=Acrylic Refractor/Lens</p>	<p>Voltage⁽³⁾ 120V=120 Volt 277V=277 Volt 347V=347 Volt UNV=Universal Voltage 120-277⁽⁴⁾</p>	<p>Options GL=Single Element Fuse GM=Double Element Fuse EL=Emergency Installed^{(5), (8)}</p>	<p>Ballast Type⁽⁷⁾ EBT =T5/T5HO Linear Electronic Program Rapid Start Total Harmonic Distortion < 10%</p> <p>No. of Ballast 1 or 2</p>	<p>Ballast Factor/Type (For 14WT5 and 28WT5 Lamp Only) Blank=Standard T5HO Ballast N=Normal Light Output .95 BF H=High Light Output 1.15 BF NDIM=Normal .95-1.0 BF Step Dimming⁽⁶⁾ HDIM=High 1.15 BF Step Dimming⁽⁶⁾</p>	<p>Options DEC=Decorative End Cap CRA=Continuous Row Aligner</p>	<p>Packaging U=Unit Pack</p>
--	---	--	---	---	---	---	--	---	---	---

ACCESSORIES

SCF=Fixed Stem Set (Specify Length)
SCS=Swivel Stem Set (Specify Length)
SCA=Adjustable 48" Stem Set
WN-4LT-DEC-ENDS=Decorative End Caps - 3 or 4 Lamps (2 pieces)
WN-CRA=Continuous Row Aligner (1 only)

NOTES: ⁽¹⁾Steel endplates with 7/8" KO standard for continuous row mounting. ⁽²⁾2 point suspension recommended for 2 and 4 lamp models. 3 point suspension recommended for 8 foot tandems. ⁽³⁾Products also available in non-US voltage and frequencies for international markets. ⁽⁴⁾Not Available when specifying emergencies, voltage must be specified. ⁽⁵⁾A low profile battery pack is required for installation with standard ballast cover (consult Cooper Lighting Solutions). ⁽⁶⁾Step dimming ballasts available for 28WT5 lamps only. ⁽⁷⁾2 ballasts are required when specifying 4 lamps and 28T5 wattages. ⁽⁸⁾Please specify required voltage, 120V or 277V.

For complete product data, reference the Fluorescent Specification binder. Specifications & dimensions subject to change without notice. Consult your Cooper Lighting Solutions Representative for availability and ordering information

SHIPPING DATA

Catalog No.	Wt.
WN-428T5	8 lbs.
WN-454T5A	8 lbs.