

DESCRIPTION

The WN Series is a specification wraparound luminaire featuring energy efficient performance. The luminaire's clean, low profile design is both appealing and functional. The WN Series utilizes a clear, low brightness, extruded acrylic refractor for high performance and aesthetics.

The efficient and stylish WN Series is the perfect wraparound for schools, offices and other commercial and retail spaces.

Catalog #		Type
Project		
Comments		Date
Prepared by		

SPECIFICATION FEATURES

Construction

Housing consists of die formed cold rolled steel. Ends formed with the housing for strength and provisions for continuous row aligners. Steel end plates with 7/8" KO and light-seal embossment. Ballast cover easily removed without tools.

Electrical*

Ballasts are CBM/ETL Class "P" and are positively secured by mounting bolt. Rotor lock lampholders. UL/CUL listed. Suitable for damp locations.

Lens

100% clear acrylic prismatic lens. Sides have inside linear prisms and bottom has pyramidal prisms for low brightness control.

Finish

Multistage, prepaint ensures maximum bonding and rust prevention.

Compliance

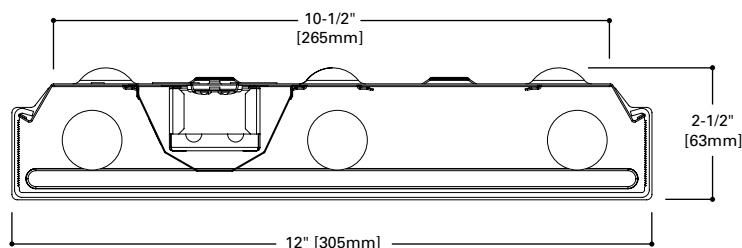
Suitable for use in clothes closets when installed in accordance with the NEC 410.16 spacing requirements.



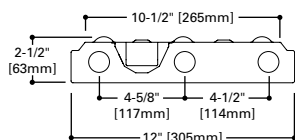
WN
328T8
332

4' SURFACE
3 T8 LAMPS

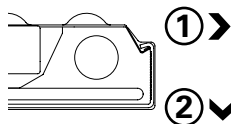
Commercial Wrap



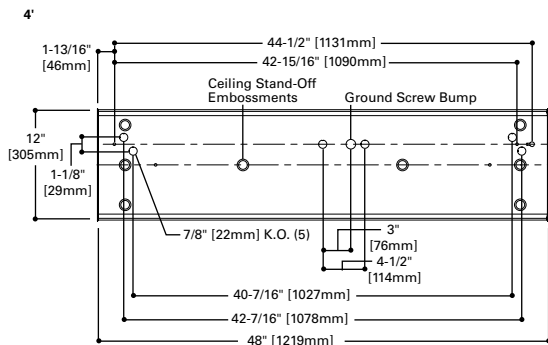
LAMP CONFIGURATIONS



LENS REMOVAL



MOUNTING DATA



ENERGY DATA

Input Watts:
EB Ballast & STD Lamps
328T8 (67)
332 (80)

Luminaire Efficacy Rating
LER = FW-84
Catalog Number: WN-332A
Yearly Cost of 1000 lumens,
3000 hrs at .08 KWH = \$2.86

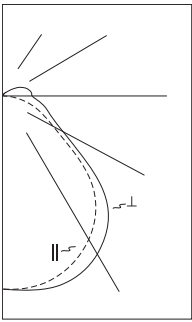
*Reference the lamp/ballast data in the Technical Section for specific lamp/ballast requirements.

LAMPS CONTAIN MERCURY. DISPOSE ACCORDING TO LOCAL, STATE OR FEDERAL LAWS

LINEAR DISCONNECT

Safe and convenient means of disconnecting power.

PHOTOMETRICS



WN-332-EB81-U
Energy Saving Ballast

F32T8/35K Lamps
3100 Lumens

Spacing criterion:
(H) 1.3 x mounting height, (H_perp) 1.4 x mounting height

Efficiency 83.5%

Test Report:
134P140

LER = FW-84

Yearly Cost of 1000 lumens, 3000 hrs at .08 KWH = \$2.86

Coefficients of Utilization

rc	Effective floor cavity reflectance																		
	80%				70%				20%										
	rw	70	50	30	70	50	30	10	50	30	10	50	30	10	50	30	10	0%	
RCR	0	97	97	97	97	94	94	94	94	88	88	88	83	83	83	78	78	78	76
	1	89	85	81	78	86	82	79	76	77	75	72	73	70	69	68	67	65	63
	2	81	74	69	64	78	72	67	63	68	64	60	64	61	58	60	58	55	53
	3	74	66	59	54	71	64	58	53	60	55	51	57	53	49	54	50	47	45
	4	68	58	51	46	66	57	50	45	54	48	44	51	46	42	48	44	41	39
	5	63	52	45	40	60	51	44	39	48	42	38	46	41	37	44	39	36	34
	6	58	47	40	35	56	46	39	34	44	38	33	42	36	33	40	35	32	30
	7	54	43	36	31	52	42	35	30	40	34	30	38	33	29	36	32	28	26
	8	50	39	32	27	48	38	32	27	36	31	26	35	30	26	33	29	25	24
	9	47	36	29	25	45	35	29	24	34	28	24	32	27	23	31	26	23	21
	10	44	33	27	22	42	32	26	22	31	25	22	30	25	21	29	24	21	19

Zonal Lumen Summary

Zone	Lumens	%Lamp	%Fixture
0-30	2026	21.8	26.1
0-40	3371	36.2	43.4
0-60	5704	61.3	73.5
0-90	7027	75.6	90.5
90-180	736	7.9	9.5
0-180	7762	83.5	100.0

Typical VCP Percentages

Room Size (Ft.)	Height Along				Height Across			
	8.5'	10.0'	8.5'	10.0'	8.5'	10.0'	8.5'	10.0'
20 x 20	51	56	44	51				
30 x 30	43	48	33	40				
30 x 60	36	40	19	24				
60 x 30	42	47	37	44				
60 x 60	34	38	20	25				

Candela

Angle	Along H	45°	Across H
0	2455	2455	2455
5	2462	2473	2476
10	2449	2479	2502
15	2412	2470	2515
20	2347	2441	2495
25	2257	2383	2443
30	2143	2295	2356
35	2005	2177	2235
40	1831	2020	2076
45	1601	1801	1851
50	1267	1484	1491
55	914	1137	1104
60	702	864	855
65	557	654	706
70	440	496	619
75	319	379	554
80	202	303	483
85	98	242	413
90	8	172	361

ORDERING INFORMATION

SAMPLE NUMBER: WN-332A-UNV-EB81-U

<p>Length Blank=4' Length</p>	<p>Series⁽¹⁾ WN=Commercial Surface Wrap</p>	<p>Number of Lamps⁽²⁾ 3=3 Lamps (Not Included)</p>	<p>Wattage 28T8=28W T8 (48")⁽⁶⁾ 32=32W T8 (48")</p>	<p>Lens A=Acrylic Refractor/Lens</p>	<p>Voltage⁽³⁾ 120V=120 Volt 277V=277 Volt 347V=347 Volt UNV=Universal Voltage 120-277⁽⁴⁾</p>	<p>Options GL=Single Element Fuse GM=Double Element Fuse EL=Emergency Installed^{(6), (7)}</p>	<p>Ballast Type⁽³⁾ EB8 = T8 Electronic Instant Start. Total Harmonic Distortion < 10% No. of Ballast 1 or 2 EB8_/PLUS= T8 Electronic Instant Start. High Ballast Factor >1.13. Total Harmonic Distortion < 20% No. of Ballast 1 or 2 ER8 = T8 Electronic Program Rapid Start. Total Harmonic Distortion < 10% No. of Ballast 1 or 2 ER8_/PLUS= T8 Electronic Program Start. High Ballast Factor >1.13. Total Harmonic Distortion < 10% No. of Ballast 1 or 2</p>	<p>HPT8 Ballast HB8_L=T8 Electronic Instant Start. Low Ballast Factor .77 HB8_=T8 Electronic Instant Start. Ballast Factor .88 HB8_N=T8 Electronic Instant Start. Normal Ballast Factor 1.0 HB8_H=T8 Electronic Instant Start. High Ballast Factor 1.15-1.2 HR8_DIM=T8 Electronic Program Start Step Dimming. Ballast Factor .88 HR8_L=T8 Electronic Program Start. Low Ballast Factor .77 HR8_=T8 Electronic Program Start. Ballast Factor .88 HR8_H=T8 Electronic Program Start. High Ballast Factor 1.15-1.2</p>	<p>Options DEC=Decorative End Cap CRA=Continuous Row Aligner</p>	<p>Packaging U=Unit Pack</p>
--	---	--	---	---	---	---	--	--	---	---

ACCESSORIES

WN-4LT-DEC-ENDS=Decorative End Caps - 3 or 4 Lamps (2 pieces)
WN-CRA=Continuous Row Aligner (1 only)

NOTES: ⁽¹⁾Steel endplates with 7/8" KO standard for continuous row mounting. ⁽²⁾Suspension mounting not recommended for 3 lamp models. ⁽³⁾Products also available in non-US voltage and frequencies for international markets. ⁽⁴⁾Not Available when specifying emergencies, voltage must be specified. ⁽⁵⁾A low profile battery pack is required for installation with standard ballast cover (consult Cooper Lighting Solutions). ⁽⁶⁾When utilizing 28W T8 lamps, HPT8 Ballast must be specified. Other ballast restrictions may apply. Consult your Cooper Lighting Solutions Representative for availability and ordering information. ⁽⁷⁾Please specify required voltage, 120V or 277V.

For complete product data, reference the Fluorescent Specification binder. Specifications & dimensions subject to change without notice. Consult your Cooper Lighting Solutions Representative for availability and ordering information.

SHIPPING DATA

Catalog No.	Wt.
WN-328T8A	12 lbs.
WN-332A	12 lbs.