

DESCRIPTION

The WN Series is a specification wraparound luminaire featuring energy efficient performance. The luminaire's clean, low profile design is both appealing and functional. The WN Series utilizes a clear, low brightness, extruded acrylic refractor for high performance and aesthetics.

The efficient and stylish WN Series is the perfect wraparound for schools, offices and other commercial and retail spaces.

Catalog #		Type
Project		
Comments		Date
Prepared by		

SPECIFICATION FEATURES

Construction

Housing consists of die formed cold rolled steel. Ends formed with the housing for strength and provisions for continuous row aligners. Steel end plates with 7/8" KO and light-seal embossment. Ballast cover easily removed without tools.

Electrical*

Ballasts are CBM/ETL Class "P" and are positively secured by mounting bolt. Rotor lock lampholders. UL/CUL listed. Suitable for damp locations.

Lens

100% clear acrylic prismatic lens. Sides have inside linear prisms and bottom has pyramidal prisms for low brightness control.

Compliance

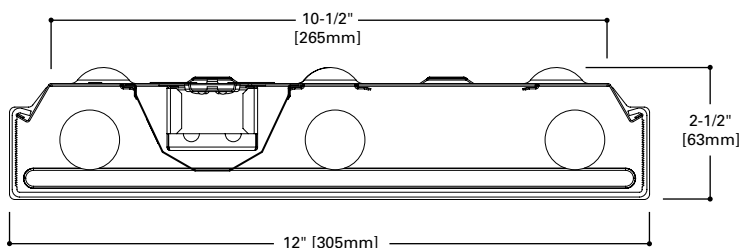
Suitable for use in clothes closets when installed in accordance with the NEC 410.16 spacing requirements.



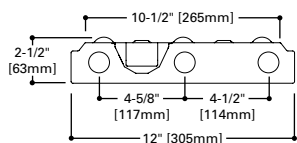
WN
328T5
354T5

4' SURFACE
3 T5 LAMPS

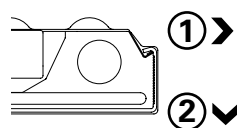
Commercial Wrap



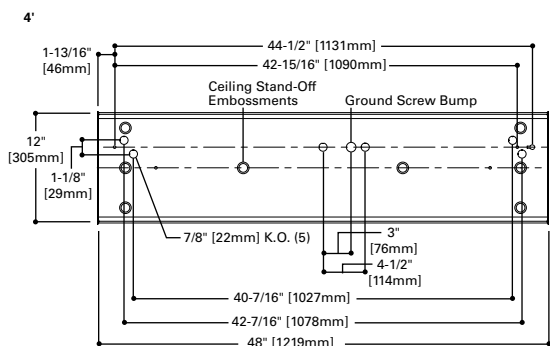
LAMP CONFIGURATIONS



LENS REMOVAL



MOUNTING DATA



ENERGY DATA

Input Watts:
EB Ballast & STD Lamps @ 277V
328T5 (97)
354T5 (185)

Luminaire Efficacy Rating

LER = FW-74

Catalog Number: WN-328T5A

Yearly Cost of 1000 lumens,
3000 hrs at .08 KWH = \$3.24

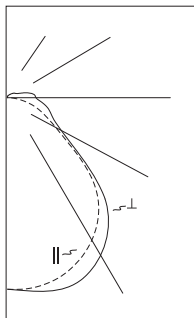
*Reference the lamp/ballast data in the Technical Section for specific lamp/ballast requirements.

LAMPS CONTAIN MERCURY. DISPOSE ACCORDING TO LOCAL, STATE OR FEDERAL LAWS

LINEAR DISCONNECT

Safe and convenient means of disconnecting power.

PHOTOMETRICS



WN-328T5-EB82-U
Energy Saving Ballast

F28T5 Lamps
2600 Lumens

Spacing criterion:
(||) 1.3 x mounting height, (⊥) 1.4 x mounting height

Efficiency 94.5%

Test Report:
134P135

LER = FW-74

Yearly Cost of 1000 lumens, 3000 hrs at .08 KWH = \$3.24

Coefficients of Utilization

rc	Effective floor cavity reflectance																			
	80%				70%				20%											
	50	30	10	0	50	30	10	0	50	30	10	0								
rw	70	50	30	10	70	50	30	10	50	30	10	0	50	30	10	0	50	30	10	0
RCR																				
0	111	111	111	111	107	107	107	107	101	101	101	95	95	95	90	90	90	87		
1	101	96	92	89	98	94	90	87	88	85	83	83	81	79	79	77	75	73		
2	92	85	78	73	89	82	77	72	78	73	69	74	70	66	70	67	64	61		
3	85	75	67	62	82	73	66	61	69	63	59	66	61	57	62	58	55	52		
4	78	67	59	53	75	65	58	52	62	55	50	59	53	49	56	51	48	45		
5	72	60	52	46	69	58	51	45	56	49	44	53	47	43	51	46	42	40		
6	66	54	46	40	64	53	45	40	50	44	39	48	42	38	46	41	37	35		
7	62	49	41	36	59	48	41	35	46	39	34	44	38	34	42	37	33	31		
8	57	45	37	32	55	44	37	31	42	36	31	40	35	30	39	34	30	28		
9	54	41	34	29	52	40	33	28	39	32	28	37	31	27	36	31	27	25		
10	50	38	31	26	49	37	30	26	36	30	25	35	29	25	33	28	24	23		

Zonal Lumen Summary

Zone	Lumens	%Lamp	%Fixture
0-30	2024	26.0	27.5
0-40	3354	43.0	45.5
0-60	5540	71.0	75.2
0-90	6796	87.1	92.2
90-180	573	7.3	7.8
0-180	7369	94.5	100.0

Typical VCP Percentages

Room Size (Ft.)	Height Along		Height Across	
	8.5'	10.0'	8.5'	10.0'
20 x 20	52	58	45	54
30 x 30	44	49	34	41
30 x 60	38	41	19	24
60 x 30	43	48	38	45
60 x 60	35	39	20	25

Candela

Angle	Along	45°	Across ⊥
0	2436	2436	2436
5	2443	2454	2463
10	2429	2467	2500
15	2391	2468	2529
20	2326	2449	2519
25	2237	2394	2456
30	2124	2297	2345
35	1984	2157	2197
40	1808	1977	2002
45	1567	1723	1719
50	1220	1373	1308
55	873	1042	962
60	669	799	763
65	527	609	651
70	414	467	589
75	299	364	540
80	188	294	476
85	90	235	408
90	4	167	354

ORDERING INFORMATION

SAMPLE NUMBER: WN-328T5-UNV-EBT1N-U

<p>Length Blank=4' Length</p>	<p>Series⁽¹⁾ WN=Commercial Surface Wrap</p>	<p>Number of Lamps⁽²⁾ 3=3 Lamps (Not Included)</p>	<p>Wattage 28T5=28WT5 (48") 54T5=54WT5HO (48")</p>	<p>Lens A=Acrylic Refractor/Lens</p>	<p>Voltage⁽³⁾ 120V=120 Volt 277V=277 Volt 347V=347 Volt UNV=Universal Voltage 120-277⁽⁴⁾</p>	<p>Options GL=Single Element Fuse GM=Double Element Fuse EL=Emergency Installed^{(5), (6)}</p>	<p>Ballast Type⁽⁷⁾ EBT =T5/T5HO Linear Electronic Program Rapid Start Total Harmonic Distortion < 10%</p>	<p>Ballast Factor/Type (For 14WT5 and 28WT5 Lamp Only) Blank=Standard T5HO Ballast N=Normal Light Output .95 BF H=High Light Output 1.15 BF NDIM=Normal .95-1.0 BF Step Dimming⁽⁶⁾ HDIM=High 1.15 BF Step Dimming⁽⁶⁾</p>	<p>Options DEC=Decorative End Cap CRA=Continuous Row Aligner</p>	<p>Packaging U=Unit Pack</p>
--	---	--	---	---	---	---	--	---	---	---

ACCESSORIES

WN-4LT-DEC-ENDS=Decorative End Caps - 3 or 4 Lamps (2 pieces)
WN-CRA=Continuous Row Aligner (1 only)

NOTES: ⁽¹⁾Steel endplates with 7/8" KO standard for continuous row mounting. ⁽²⁾Suspension mounting not recommended for 3 lamp models. ⁽³⁾Products also available in non-US voltage and frequencies for international markets. ⁽⁴⁾Not Available when specifying emergencies, voltage must be specified. ⁽⁵⁾A low profile battery pack is required for installation with standard ballast cover (consult Cooper Lighting Solutions). ⁽⁶⁾Step dimming ballasts available for 28WT5 lamps only. ⁽⁷⁾2 ballasts are required when specifying 3 lamps and 28T5 wattages. ⁽⁸⁾Please specify required voltage, 120V or 277V.

For complete product data, reference the Fluorescent Specification binder. Specifications & dimensions subject to change without notice. Consult your Cooper Lighting Solutions Representative for availability and ordering information.

SHIPPING DATA

Catalog No.	Wt.
WN-328T5	12 lbs.
WN-354T5	12 lbs.