

DESCRIPTION

The GC Series features a 4-3/4" deep para-contoured White Optics fixture housing and optimum lamp to lens spacing. The series produces total uniformity of light in the luminous area and is compatible with all of today's popular ceiling systems and is available with a number of options and accessories for application versatility.

The specification luminaire is designed to offer maximum efficiency and performance for today's unique interior specifications. The GC Series is an excellent choice for commercial office spaces, schools, hospitals or retail merchandising areas.

Catalog #		Type
Project		
Comments		Date
Prepared by		

SPECIFICATION FEATURES

Construction

4-3/4" deep, para-contoured housing, die formed, prime cold rolled steel. Die embossed housing has full length die formed stiffeners for added strength. Deep "V" ballast/wireway cover easily removed without tools. Die formed captive lampholder bracket fully encloses lampholder wiring permitting easy lampholder replacement. Heavy endplates are securely attached with interlocking tabs and screws. Four auxiliary fixture end suspension points provided. KOs for continuous row wiring. Endplates have integral Grid-Lock feature for safety and convenience.

Electrical*

Ballasts are CBM/ETL Class "P" and are positively secured by mounting bolts. Pressure lock lampholders. UL/CUL listed.** Suitable for damp locations.

White Optics

97% reflective White Optics material with matching PAF ballast cover to help maximize retrofit kit efficiency, distribution, energy savings and payback.

Hinging/Latching

Positive Cam latch with baked enamel finish. Safety-lock T-hinges allow hinging and latching either side.

Frame/Shielding

Die formed, heavy gauge, flat steel door with reinforced mitered corners and baked white enamel finish. Positive light seals. Light stabilized 100% virgin acrylic prismatic shielding. Standard #12 pattern. Optional shielding available.

Controls

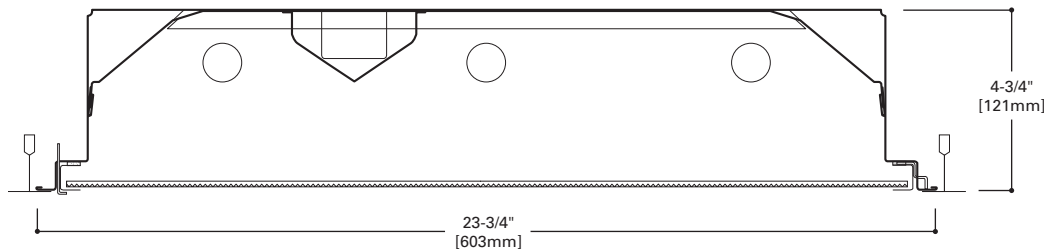
Fifth Light ballast options are offered for both 0-10V continuous dimming and DALI applications. Combine with energy-saving products like occupancy sensors, daylighting controls, and lighting relay panels from Cooper Lighting Solutions (www.cooperlighting.com) to maximize energy savings.



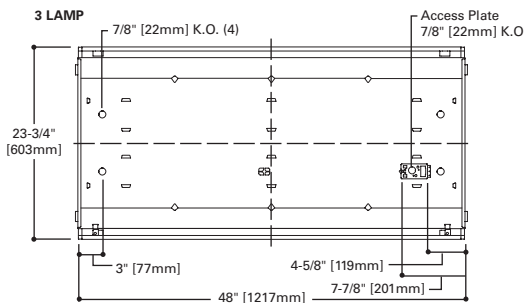
2GC
328T5
354T5

2' X 4' TROFFER
3 T5 LAMPS

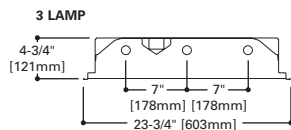
Specification Deep Troffer



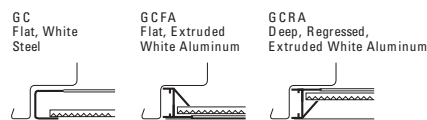
MOUNTING DATA



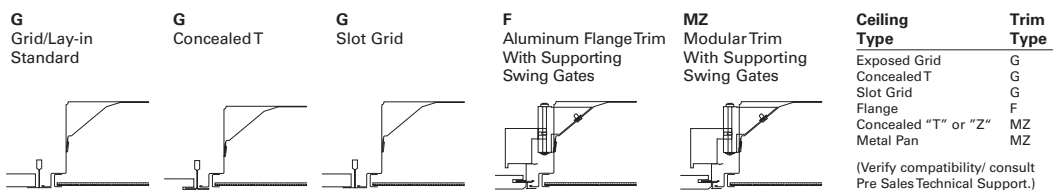
LAMP CONFIGURATIONS



DOOR FRAMES



CEILING COMPATIBILITY



ENERGY DATA

Input Watts:
EB Ballast & STD Lamps
328T5 (96)
354T5 (185)

*Reference the lamp/ballast data in the Technical Section for specific lamp/ballast requirements.
**Consult Pre Sales Technical Support.

LAMPS CONTAIN MERCURY. DISPOSE ACCORDING TO LOCAL, STATE OR FEDERAL LAWS

LINEAR DISCONNECT

Safe and convenient means of disconnecting power.

ORDERING INFORMATION

SAMPLE NUMBER: 2GC-WO-328T5A-UNV-EBT2-U

Rating Blank =Standard NY =New York Rated ATW-SW4 =Chicago Rated	White Optics WO =97% Reflective White Optics Finish	Ballast Type EBT__ =T5 or T5HO Electronic Program Rapid Start. Total Harmonic Distortion < 10%. Standard Ballast Factor=1.0 Ballast/Factor Type EBT__N =T5 Electronic Program Rapid Start. Total Harmonic Distortion < 10%. Normal Ballast Factor=.90 ⁽⁷⁾ EBT__H =T5 Electronic Program Rapid Start. Total Harmonic Distortion < 10%. High Ballast Factor=1.15 ⁽⁸⁾ EBT__NDIM =T5 Electronic Program Rapid Start. Total Harmonic Distortion < 10%. Step Dimming, Normal Ballast Factor=.95-1.0 ⁽¹⁰⁾ EBT__HDIM =T5 Electronic Program Rapid Start. Total Harmonic Distortion < 10%. Step Dimming, High Ballast Factor=1.15 Fifth Light DALI Ballasts ⁽⁹⁾ 5LT5__ =T5 DALI Program Rapid Start. Total Harmonic Distortion < 10%. Ballast Factor 1.0 5LT5H__ =T5HO DALI Program Rapid Start. Total Harmonic Distortion < 10%. Ballast Factor 1.0	Options 20GA/REP =20 Gauge Housing w/Riveted End Plate PAF =Painted After Fabrication								
Width 2 =2' Width	Number of Lamps ⁽⁶⁾ 3 =3 Lamps	Number of Ballasts 1 =1 Ballast 2 =2 Ballasts 3 =3 Ballasts	Packaging U =Unit Pack PAL =Palletized Uncartoned Fixtures PALC =Palletized Fixtures in Carton								
Trim Type G =Grid/Lay-in (Standard) ⁽¹⁾ G =Concealed T G =Slot Grid F =Aluminum Flange Trim ⁽⁵⁾ MZ =Modular Trim EMZ =Modular Trim (Extended Swing Arm)	Shielding A =#12 Acrylic Pattern A125 =#12 Pattern Acrylic (.125" Thickness) A19/156 =#19 Pattern Acrylic (.156" Thickness) DA =Dropped Dish Matte White Acrylic IMA48 =Injection Molded Acrylic (.150" Thickness)		ACCESSORIES EQ-CLIP-U =T-BAR Safety Earthquake Clips ⁽¹⁾								
Series C =Specification Deep Troffer	Option - Aluminum Flange Trim ⁽⁵⁾ Blank =SW (Single White) <table border="1"> <thead> <tr> <th>Type</th> <th>Color</th> </tr> </thead> <tbody> <tr> <td>'S' Single</td> <td>'N' Natural</td> </tr> <tr> <td>'R' In Row</td> <td>'W' White</td> </tr> <tr> <td>'E' End of Row</td> <td></td> </tr> </tbody> </table>	Type	Color	'S' Single	'N' Natural	'R' In Row	'W' White	'E' End of Row			
Type	Color										
'S' Single	'N' Natural										
'R' In Row	'W' White										
'E' End of Row											
Door Frame Standard =Flat White Steel Door (Leave Blank) FA =Flush White Extruded Aluminum c/w Spring Latch RA =Regressed White Extruded Aluminum (3/8") FAN =Flush Natural Anodized Extruded Aluminum RAN =Regressed Natural Anodized Extruded Aluminum (3/8") FAB =Flush Black Extruded Aluminum RAB =Regressed Black Extruded Aluminum (3/8")	Voltage ⁽²⁾ 120V =120 Volt 277V =277 Volt 347V =347 Volt UNV =Universal Voltage 120-277 ⁽³⁾										
	Options GL =Single Element Fuse GM =Double Element Fuse Flex =Flex Installed (Reference Flex ordering information) EL =Emergency Installed ^{(4), (12)}										

NOTES: ⁽¹⁾An EQ Grid Clip is recommended for all 9/16" ceiling systems. Four required per fixture. ⁽²⁾Products also available in non-US voltages and frequencies for international markets. ⁽³⁾Not available when specifying emergencies, voltage must be specific. ⁽⁴⁾Fixtures equipped with "EL" option may require a 5-1/2" housing depth. If installing in field, must use low profile battery pack. ⁽⁵⁾Specify row configuration, type in catalog number when ordering complete fixture. ⁽⁶⁾Standard off-center ballast on 3-lamp fixtures. ⁽⁷⁾ 90 ballast factor available for 2 or 3 14W T5 or 28W T5 lamps only. ⁽⁸⁾ 1-Lamp ballast in a High Ballast factor not available. ⁽⁹⁾ For a complete listing of Fifthlight Technology products and other solutions from Cooper Lighting Solutions, visit www.cooperlighting.com. ⁽¹⁰⁾ 1-Lamp step dimming ballast in a Normal Ballast factor not available. 2-Lamp ballast will not operate 1-Lamp. ⁽¹¹⁾ 0-10V ballast do not include DALI feature. Please select DALI ballast for use with Fifth Light system. ⁽¹²⁾ Please specify required voltage, 120V or 277V.

Specifications & dimensions subject to change without notice. Consult your Cooper Lighting Solutions Representative for availability and ordering information.

SHIPPING DATA

Catalog No.	Wt.
2GC-WO-328T5A	31 lbs.
2GC-WO-354T5A	31 lbs.