

## DESCRIPTION

The Paralux III Series features recessed aesthetics and the latest in energy efficient technology. The luminaire incorporates a true 3" deep precision cell louver into a deep para-contoured fixture housing. This combination creates a total high performance parabolic optical assembly for optimum performance. The series is compatible with all of today's popular ceiling systems and is available with a number of options and accessories for application versatility. The high performance luminaire is designed to offer maximum efficiency and performance for today's unique interior specifications. The Paralux III series is an excellent choice for commercial office spaces, schools, hospitals or retail merchandising areas.

## SPECIFICATION FEATURES

### Construction

Deep, para-contoured housing, die formed of code gauge, prime cold rolled steel. Die embossed housing has full length die formed stiffeners for added strength. Ballast/wireway cover is easily removed. Die formed captive lampholder bracket fully encloses lampholder wiring permitting easy lampholder replacement. Heavy end plates are securely attached with interlocking tabs and screws. Four auxiliary fixture end suspension points provided. KOs for continuous row wiring. End plates have labor saving integral Grid-Lock feature for safety and convenience. Housing features enable fixture to be converted from Grid to T-option or vice versa in the field.\*

### Electrical\*\*

Ballasts are CBM/ETL Class "P" and are positively secured by mounting bolts. Pressure lock lampholders. UL/CUL listed. Suitable for damp locations.

### Finish

Lighting grade, baked white enamel finish. Multistage, iron phosphate pretreatment ensures maximum bonding and rust inhibition.

### Hinging/Latching

Positive cam action steel latches. Safety lock T-hinges allow hinging and latching either side.

Catalog #

Type

Project

Comments

Date

Prepared by



## EP3GAX

128T5

154T5

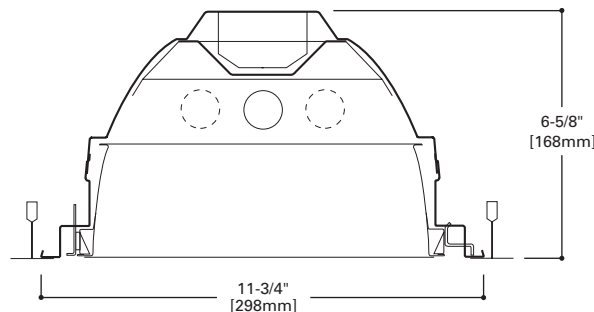
228T5

254T5

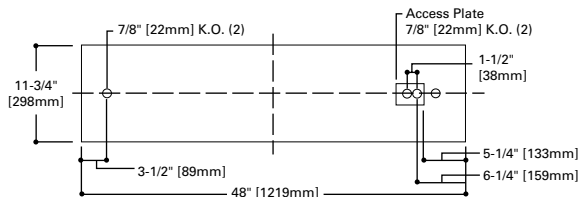
6 Cell

1' X 4' PARABOLIC  
1 OR 2 T5 LAMPS  
SEMI-SPECULAR OR  
SPECULAR LOUVER

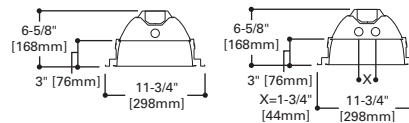
Paralux III  
Recessed Static or Air  
Supply Troffer



## MOUNTING DATA



## LAMP CONFIGURATIONS



## CEILING COMPATIBILITY

G	T	T	F	MZ	Ceiling Type	Trim Type
Grid/Lay-in Standard	Concealed T	Slot Grid	Aluminum Flange Trim With Supporting Swing Gates	Modular Trim With Supporting Swing Gates	Exposed Grid	G
					Concealed T	G or T
					Slot Grid	G or T
					Flange	F
					Concealed "T" or "Z"	MZ
					Metal Pan	MZ
					(Verify compatibility/ consult factory.)	

## ENERGY DATA

Input Watts:  
EB Ballast & STD Lamps  
128T5 (34), 154T5 (71),  
228T5 (59), 254T5 (114)

\*Convertibility applies to housing only. Appropriate shielding media assemblies must be utilized.

\*\*Reference the lamp/ballast data in the Technical Section for specific lamp/ballast requirements.

LAMPS CONTAIN MERCURY. DISPOSE ACCORDING TO LOCAL, STATE OR FEDERAL LAWS

**LINEAR DISCONNECT**

Safe and convenient means of disconnecting power.

**ORDERING INFORMATION**

SAMPLE NUMBER: EP3GAX-128T5S16I-UNV-EBT1-U

<p><b>Domestic Preferences <sup>(11)</sup></b>  <b>[Blank]</b>=Standard  <b>BAA</b>=Buy American Act</p>	<p><b>Number of Lamps</b>  <b>1</b>=1 Lamp  <b>2</b>=2 Lamps</p>	<p><b>Options</b>  <b>GL</b>=Single Element Fuse  <b>GM</b>=Double Element Fuse  <b>WTR</b>=White Reveal  <b>Flex</b>=Flex Installed (Reference Flex ordering information)  <b>EL</b>=Emergency Installed <sup>(10)</sup></p>	<p><b>Ballast Type</b>  <b>EBT_</b> =T5 or T5HO Electronic Program Rapid Start. Total Harmonic Distortion &lt; 10%. Standard Ballast Factor=1.0</p>	<p><b>Options</b>  <b>PAF</b>=Painted After Fabrication  <b>REP</b>=Gauge Riveted Endplates</p>								
<p><b>Rating</b>  <b>Blank</b>=Standard  <b>ATW-SW4</b>=Chicago Rated</p>	<p><b>Wattage</b>  <b>28T5</b>=28WT5 (48")  <b>54T5</b>=54WT5HO (48")</p>	<p><b>Voltage <sup>(4)</sup></b>  <b>120V</b>=120 Volt  <b>277V</b>=277 Volt  <b>347V</b>=347 Volt  <b>UNV</b>=Universal Voltage 120-277 <sup>(5)</sup></p>	<p><b>Ballast/FactorType</b>  <b>EBT_N</b>=T5 Electronic <sup>(7)</sup> Program Rapid Start. Total Harmonic Distortion &lt; 10%. Normal Ballast Factor=.90</p>	<p><b>Packaging</b>  <b>U</b>=Unit Pack  <b>PAL</b>=Job Pack, out of carton  <b>PALC</b>=Job Pack, in carton</p>								
<p><b>Heat Removal <sup>(1)</sup></b>  <b>HR</b>=Heat Removal  <b>HRDO</b>=Heat Removal Damper Open  <b>HRDC</b>=Heat Removal Damper Closed</p>	<p><b>Louwer Color</b>  <b>S</b>=Silver  <b>W</b>=White</p>	<p><b>Option - Aluminum Flange Trim <sup>(6)</sup></b>  <b>Blank</b>=SW (Single White)</p> <table border="1"> <tr> <th>Type</th> <th>Color</th> </tr> <tr> <td>'S' Single</td> <td>'N' Natural</td> </tr> <tr> <td>'R' In Row</td> <td>'W' White</td> </tr> <tr> <td>'E' End of Row</td> <td></td> </tr> </table>	Type	Color	'S' Single	'N' Natural	'R' In Row	'W' White	'E' End of Row		<p><b>EBT_H</b>=T5 Electronic <sup>(8)</sup> Program Rapid Start. Total Harmonic Distortion &lt; 10%. High Ballast Factor=1.15</p>	
Type	Color											
'S' Single	'N' Natural											
'R' In Row	'W' White											
'E' End of Row												
<p><b>Series</b>  <b>EP3</b>=Paralux III</p>	<p><b>Cell Configuration</b>  <b>16</b>=1 Row of 6, 6 Cell (1'x4')</p>	<p><b>Number of Ballasts</b>  <b>1</b>=1 Ballast  <b>2</b>=2 Ballasts</p>	<p><b>EBT_NDIM</b>=T5 Electronic <sup>(9)</sup> Program Rapid Start. Total Harmonic Distortion &lt; 10%. Step Dimming, Normal Ballast Factor=.95-1.0</p>									
<p><b>Trim Type <sup>(2)</sup></b>  <b>G</b>=Grid/Lay-in - Standard  <b>T</b>=Concealed T/Slot Grid <sup>(3)</sup>  <b>F</b>=Aluminum Flange Trim <sup>(6)</sup>  <b>MZ</b>=Modular Trim</p>	<p><b>Louwer Finish</b>  <b>I</b>=Semi-Specular/Haze (Low Iridescent) Standard  <b>P</b>=Painted</p>	<p><b>ACCESSORIES <sup>(12)</sup></b>  <b>EQ-CLIP-U</b>=T-BAR Safety Earthquake Clips <sup>(9)</sup></p>	<p><b>EBT_HDIM</b>=T5 Electronic Program Rapid Start. Total Harmonic Distortion &lt; 10%. Step Dimming, High Ballast Factor=1.15</p>									
<p><b>Air Supply</b>  <b>AX</b>=Air Supply Floating Louver  <b>X</b>=Blank Side/Floating Louver Non-Air Supply  <b>AVX</b>=Air Supply Floating Louver with Directional Air Vane</p>												

**NOTES:** <sup>(1)</sup> Integral end plate grid lock feature not available in heat removal. <sup>(2)</sup> Convertibility applies to housing only, appropriate shielding media assemblies must be utilized. Fixture also adaptable with flanged or modular trims. <sup>(3)</sup> An EQ Grid Clip is recommended for all 9/16" ceiling systems. Four required per fixture. <sup>(4)</sup> Products also available in non-US voltages and frequencies for international markets. <sup>(5)</sup> Not available when specifying emergencies, voltage must be specific. <sup>(6)</sup> Specify row configuration, type in catalog number when ordering complete fixture. <sup>(7)</sup> .90 ballast factor available for 2 or 3 14WT5 or 28WT5 lamps only. <sup>(8)</sup> 1-Lamp ballast in a High Ballast factor not available. <sup>(9)</sup> 1-Lamp step dimming ballast in a Normal Ballast factor not available. 2-Lamp ballast will not operate 1-Lamp. <sup>(10)</sup> Please specify required voltage, 120V or 277V. <sup>(11)</sup> Only product configurations with this designated prefix are built to be compliant with the Buy American Act of 1933 (BAA). Please refer to [DOMESTIC PREFERENCES](#) website for more information. Components shipped separately may be separately analyzed under domestic preference requirements. <sup>(12)</sup> Accessories sold separately will be separately analyzed under domestic preference requirements. Consult factory for further information.

Specifications & dimensions subject to change without notice. Consult your Cooper Lighting Solutions Representative for availability and ordering information.

**SHIPPING DATA**

Catalog No.	Wt.
EP3GAX-128T5S16I	29 lbs.
EP3GAX-154T5S16I	29 lbs.
EP3GAX-228T5S16I	29 lbs.
EP3GAX-254T5S16I	29 lbs.