

## DESCRIPTION

The Paralux III Series features recessed aesthetics and the latest in energy efficient technology. The luminaire incorporates a true 3" deep precision cell louver into a deep para-contoured fixture housing. This combination creates a total high performance parabolic optical assembly for optimum performance. The EP3-IC is rated for installations where the housing is in direct contact with insulation. The high performance luminaire is designed to offer maximum efficiency and performance for today's unique interior specifications. The Paralux III series is an excellent choice for commercial office spaces, schools, hospitals or retail merchandising areas.

## SPECIFICATION FEATURES

### Construction

Deep, para-contoured housing, die formed of code gauge, prime cold rolled steel. Die embossed housing has full length die formed stiffeners for added strength. Ballast/wireway cover is easily removed. Die formed captive lampholder bracket fully encloses lampholder wiring permitting easy lampholder replacement. Heavy end plates are securely attached with interlocking tabs and screws. Four auxiliary fixture end suspension points provided. KOs for continuous row wiring. End plates have labor saving integral Grid-Lock feature for safety and convenience. Housing features enable fixture to be converted from Grid to T-option or vice versa in the field.\*

### Electrical\*\*

Ballasts are CBM/ETL Class "P" and are positively secured by mounting bolts. Pressure lock lampholders. UL/CUL listed for Type IC Recessed Luminaire (Rated for direct contact with insulation). Suitable for damp locations.

### Finish

Lighting grade, baked white enamel finish. Multistage, iron phosphate pretreatment ensures maximum bonding and rust inhibition.

### Hinging/Latching

Positive cam action spring loaded, self locking, black steel latches. Safety lock T-hinges allow hinging and latching either side.

<b>Catalog #</b>		<b>Type</b>	
<b>Project</b>		<b>Date</b>	
<b>Comments</b>			
<b>Prepared by</b>			

### Louwer

Die formed of low iridescent, vertical grain anodized aluminum. Finish is Anodic oxide coating. Accurate precision parabolic cells are held in place with interlocking feature. Truecut mitered corners. Black reveal with integral mechanical light seal around entire perimeter of louver. Louver protected from construction contaminants by polyethylene cover.

### Compliance

Options to meet Buy American Act requirements.



## EP3GAX-IC

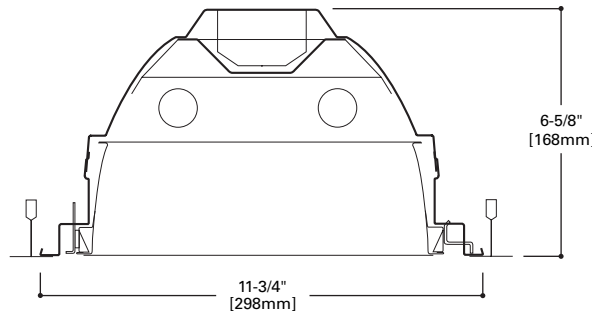
128T8  
132  
228T8  
232

6, 8, 12, 16 Cell

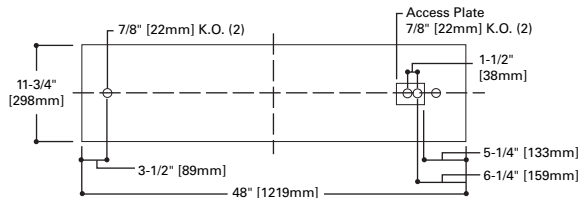
1' X 4' PARABOLIC  
1 OR 2 T8 LAMPS  
SEMI-SPECULAR OR  
SPECULAR LOUVER

Paralux III  
Recessed Static or  
Air Supply Troffer

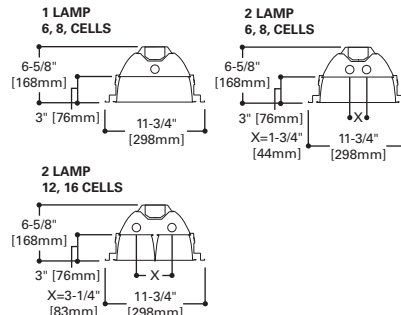
For Use in  
Insulated Ceilings



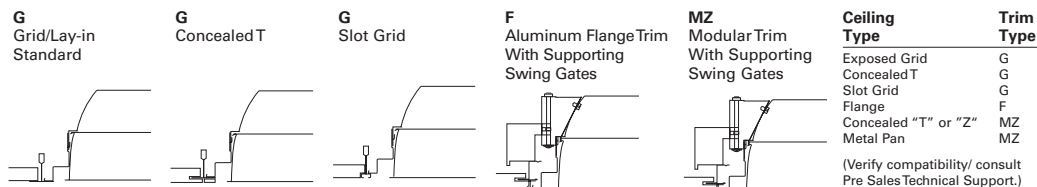
## MOUNTING DATA



## LAMP CONFIGURATIONS



## CEILING COMPATIBILITY



## ENERGY DATA

Input Watts:  
**EB Ballast & STD Lamps**  
128T8 (27), 132 (30)  
228T8 (48), 232 (55)

Luminaire Efficacy Rating  
**LER=FP-56**  
Catalog Number: P3GAX-232S18-IC

Yearly Cost of 1000 lumens,  
3000 hrs at .08 KWH = \$4.29

\*\*Reference the lamp/ballast data in the  
Technical Section for specific lamp/ballast  
requirements

LAMPS CONTAIN MERCURY. DISPOSE ACCORDING  
TO LOCAL, STATE OR FEDERAL LAWS

**LINEAR DISCONNECT**

Safe and convenient means of  
disconnecting power.



ADF120669  
November 30, 2021 8:18 AM

ORDERING INFORMATION

SAMPLE NUMBER: EP3GAX-232S181-120V-EB81-U

<p><b>Domestic Preferences</b> <sup>(9)</sup>  <b>[Blank]</b>=Standard  <b>BAA</b>=Buy American Act</p>	<p><b>Number of Lamps</b>  <b>1</b>=1 Lamp  <b>2</b>=2 Lamps</p>	<p><b>Voltage</b> <sup>(6)</sup>  <b>120V</b>=120 Volt  <b>277V</b>=277 Volt  <b>347V</b>=347 Volt  <b>UNV</b>=Universal Voltage 120-277 <sup>(7)</sup></p>	<p><b>Ballast Type</b> <sup>(6)</sup>  <b>EB8</b> = T8 Electronic Start.                  Total Harmonic Distortion &lt; 10%                  No. of Ballast                  1 or 2</p>	<p><b>Options</b>  <b>PAF</b>=Painted After Fabrication</p>
<p><b>Rating</b>  <b>Blank</b>=Standard  <b>ATW-SW4</b>=Air-Tight Wire Way (Chicago Rated)</p>	<p><b>Wattage</b>  <b>28T8</b>=28W T8 (48") <sup>(6)</sup>  <b>32</b>=32W T8 (48")</p>	<p><b>Options</b>  <b>GL</b>=Single Element Fuse  <b>GM</b>=Double Element Fuse  <b>WTR</b>=White Reveal  <b>Flex</b>=Flex Installed (Reference Flex ordering information)  <b>EL</b>=Emergency Installed <sup>(8)</sup></p>	<p><b>EB8 / PLUS</b> = T8 Electronic Start.                  Total Harmonic Distortion &lt; 10%                  High Ballast Factor &gt;1.15.                  No. of Ballast                  1 or 2</p>	<p><b>Packaging</b>  <b>U</b>=Unit Pack  <b>PAL</b>=Job Pack, out of carton  <b>PALC</b>=Job Pack, in carton</p>
<p><b>Heat Removal</b> <sup>(1)</sup>  <b>HR</b>=Heat Removal</p>	<p><b>Louver Color</b>  <b>S</b>=Silver  <b>W</b>=White</p> <p><b>Cell Configuration</b>  <b>16</b>=1 Row of 6, 6 Cells  <b>18</b>=1 Row of 8, 8 Cells  <b>26</b>=2 Rows of 6, 12 Cells  <b>28</b>=2 Rows of 8, 16 Cells</p>	<p><b>Lamps Installed</b>  <b>Blank</b>=No Lamps Installed  <b>L8935</b>=T8 Lamp, 28W and 32W, 3500K <sup>(5)</sup>  <b>L8941</b>=T8 Lamp, 28W and 32W, 4100K <sup>(5)</sup>  <b>L8835HL</b>=T8 Lamp, 32W 3500K, 3100 Lumens  <b>L8841HL</b>=T8 Lamp, 32W 4100K, 3100 Lumens</p>	<p><b>ER8</b> = T8 Electronic Program Rapid Start.                  Total Harmonic Distortion &lt; 10%                  No. of Ballast                  1 or 2</p>	<p><b>ACCESSORIES</b> <sup>(10)</sup></p>
<p><b>Series</b>  <b>EP3</b>=Paralux III</p>	<p><b>Louver Finish</b>  <b>I</b>=Semi-Specular/Haze (Low Iridescent) Standard  <b>P</b>=Painted</p>	<p><b>Option – Aluminum Flange Trim</b> <sup>(4)</sup>  <b>Blank</b>=SW (Single White)                  Type Color                  'S' Single 'N' Natural                  'R' In Row 'W' White                  'E' End of Row</p>	<p><b>High Performance T8 Ballasts</b>  <b>HB8</b> =T8 Electronic Instant Start.                  Total Harmonic Distortion &lt; 10%.                  Standard Ballast Factor .86 – .88  <b>HB8_L</b>=T8 Electronic Instant Start.                  Total Harmonic Distortion &lt; 10%.                  Low Ballast Factor .77 – .82  <b>HB8_N</b>=T8 Electronic Instant Start.                  Total Harmonic Distortion &lt; 10%.                  Normal Ballast Factor 1.0  <b>HB8_H</b>=T8 Electronic Instant Start.                  Total Harmonic Distortion &lt; 10%.                  High Ballast Factor 1.15 – 1.20  <b>HR8</b> =T8 Electronic Program Rapid Start.                  Total Harmonic Distortion &lt; 10%.                  Standard Ballast Factor .86 – .88  <b>HR8_DIM</b>=T8 Electronic Program Rapid Start.                  Total Harmonic Distortion &lt; 10%.                  Step Dimming. Ballast Factor .88  <b>HR8_L</b>=T8 Electronic Program Rapid Start.                  Total Harmonic Distortion &lt; 10%.                  Low Ballast Factor .71 – .79  <b>HR8_H</b>=T8 Electronic Program Rapid Start.                  Total Harmonic Distortion &lt; 10%.                  High Ballast Factor 1.15 – 1.20</p>	<p><b>EQ-CLIP-U</b>=T-BAR Safety Earthquake Clips                  NOTE: An EQ Grid Clip is recommended for all 9/16" ceiling systems. Four required per fixture.</p>
<p><b>Trim Type</b> <sup>(2)</sup>  <b>G</b>=Grid/Lay-in – Standard  <b>G</b>=Concealed T/Slot Grid <sup>(3)</sup>  <b>F</b>=Aluminum Flange Trim <sup>(4)</sup>  <b>MZ</b>=Modular Trim</p>	<p><b>Option – Aluminum Flange Trim</b> <sup>(4)</sup>  <b>Blank</b>=SW (Single White)                  Type Color                  'S' Single 'N' Natural                  'R' In Row 'W' White                  'E' End of Row</p>	<p><b>Lamps Installed</b>  <b>Blank</b>=No Lamps Installed  <b>L8935</b>=T8 Lamp, 28W and 32W, 3500K <sup>(5)</sup>  <b>L8941</b>=T8 Lamp, 28W and 32W, 4100K <sup>(5)</sup>  <b>L8835HL</b>=T8 Lamp, 32W 3500K, 3100 Lumens  <b>L8841HL</b>=T8 Lamp, 32W 4100K, 3100 Lumens</p>	<p><b>High Performance T8 Ballasts</b>  <b>HB8</b> =T8 Electronic Instant Start.                  Total Harmonic Distortion &lt; 10%.                  Standard Ballast Factor .86 – .88  <b>HB8_L</b>=T8 Electronic Instant Start.                  Total Harmonic Distortion &lt; 10%.                  Low Ballast Factor .77 – .82  <b>HB8_N</b>=T8 Electronic Instant Start.                  Total Harmonic Distortion &lt; 10%.                  Normal Ballast Factor 1.0  <b>HB8_H</b>=T8 Electronic Instant Start.                  Total Harmonic Distortion &lt; 10%.                  High Ballast Factor 1.15 – 1.20  <b>HR8</b> =T8 Electronic Program Rapid Start.                  Total Harmonic Distortion &lt; 10%.                  Standard Ballast Factor .86 – .88  <b>HR8_DIM</b>=T8 Electronic Program Rapid Start.                  Total Harmonic Distortion &lt; 10%.                  Step Dimming. Ballast Factor .88  <b>HR8_L</b>=T8 Electronic Program Rapid Start.                  Total Harmonic Distortion &lt; 10%.                  Low Ballast Factor .71 – .79  <b>HR8_H</b>=T8 Electronic Program Rapid Start.                  Total Harmonic Distortion &lt; 10%.                  High Ballast Factor 1.15 – 1.20</p>	<p><b>EQ-CLIP-U</b>=T-BAR Safety Earthquake Clips                  NOTE: An EQ Grid Clip is recommended for all 9/16" ceiling systems. Four required per fixture.</p>
<p><b>Air Supply</b>  <b>AX</b>=Air Supply Floating Louver  <b>X</b>=Blank Side/Floating Louver Non-Air Supply  <b>AVX</b>=Air Supply Floating Louver with Directional Air Vane</p>	<p><b>Louver Finish</b>  <b>I</b>=Semi-Specular/Haze (Low Iridescent) Standard  <b>P</b>=Painted</p>	<p><b>Lamps Installed</b>  <b>Blank</b>=No Lamps Installed  <b>L8935</b>=T8 Lamp, 28W and 32W, 3500K <sup>(5)</sup>  <b>L8941</b>=T8 Lamp, 28W and 32W, 4100K <sup>(5)</sup>  <b>L8835HL</b>=T8 Lamp, 32W 3500K, 3100 Lumens  <b>L8841HL</b>=T8 Lamp, 32W 4100K, 3100 Lumens</p>	<p><b>High Performance T8 Ballasts</b>  <b>HB8</b> =T8 Electronic Instant Start.                  Total Harmonic Distortion &lt; 10%.                  Standard Ballast Factor .86 – .88  <b>HB8_L</b>=T8 Electronic Instant Start.                  Total Harmonic Distortion &lt; 10%.                  Low Ballast Factor .77 – .82  <b>HB8_N</b>=T8 Electronic Instant Start.                  Total Harmonic Distortion &lt; 10%.                  Normal Ballast Factor 1.0  <b>HB8_H</b>=T8 Electronic Instant Start.                  Total Harmonic Distortion &lt; 10%.                  High Ballast Factor 1.15 – 1.20  <b>HR8</b> =T8 Electronic Program Rapid Start.                  Total Harmonic Distortion &lt; 10%.                  Standard Ballast Factor .86 – .88  <b>HR8_DIM</b>=T8 Electronic Program Rapid Start.                  Total Harmonic Distortion &lt; 10%.                  Step Dimming. Ballast Factor .88  <b>HR8_L</b>=T8 Electronic Program Rapid Start.                  Total Harmonic Distortion &lt; 10%.                  Low Ballast Factor .71 – .79  <b>HR8_H</b>=T8 Electronic Program Rapid Start.                  Total Harmonic Distortion &lt; 10%.                  High Ballast Factor 1.15 – 1.20</p>	<p><b>EQ-CLIP-U</b>=T-BAR Safety Earthquake Clips                  NOTE: An EQ Grid Clip is recommended for all 9/16" ceiling systems. Four required per fixture.</p>
<p><b>Type</b>  <b>IC</b>=IC Rated</p>	<p><b>Louver Finish</b>  <b>I</b>=Semi-Specular/Haze (Low Iridescent) Standard  <b>P</b>=Painted</p>	<p><b>Lamps Installed</b>  <b>Blank</b>=No Lamps Installed  <b>L8935</b>=T8 Lamp, 28W and 32W, 3500K <sup>(5)</sup>  <b>L8941</b>=T8 Lamp, 28W and 32W, 4100K <sup>(5)</sup>  <b>L8835HL</b>=T8 Lamp, 32W 3500K, 3100 Lumens  <b>L8841HL</b>=T8 Lamp, 32W 4100K, 3100 Lumens</p>	<p><b>High Performance T8 Ballasts</b>  <b>HB8</b> =T8 Electronic Instant Start.                  Total Harmonic Distortion &lt; 10%.                  Standard Ballast Factor .86 – .88  <b>HB8_L</b>=T8 Electronic Instant Start.                  Total Harmonic Distortion &lt; 10%.                  Low Ballast Factor .77 – .82  <b>HB8_N</b>=T8 Electronic Instant Start.                  Total Harmonic Distortion &lt; 10%.                  Normal Ballast Factor 1.0  <b>HB8_H</b>=T8 Electronic Instant Start.                  Total Harmonic Distortion &lt; 10%.                  High Ballast Factor 1.15 – 1.20  <b>HR8</b> =T8 Electronic Program Rapid Start.                  Total Harmonic Distortion &lt; 10%.                  Standard Ballast Factor .86 – .88  <b>HR8_DIM</b>=T8 Electronic Program Rapid Start.                  Total Harmonic Distortion &lt; 10%.                  Step Dimming. Ballast Factor .88  <b>HR8_L</b>=T8 Electronic Program Rapid Start.                  Total Harmonic Distortion &lt; 10%.                  Low Ballast Factor .71 – .79  <b>HR8_H</b>=T8 Electronic Program Rapid Start.                  Total Harmonic Distortion &lt; 10%.                  High Ballast Factor 1.15 – 1.20</p>	<p><b>EQ-CLIP-U</b>=T-BAR Safety Earthquake Clips                  NOTE: An EQ Grid Clip is recommended for all 9/16" ceiling systems. Four required per fixture.</p>

**NOTES:** <sup>(1)</sup> Integral end plate grid Lock feature not available in Heat Removal. <sup>(2)</sup> Convertibility applies to housing only, appropriate shielding media assemblies must be utilized. Fixture also adaptable with flanged or modular trims. <sup>(3)</sup> An EQ Grid Clip is recommended for all 9/16" ceiling systems. Four required per fixture. <sup>(4)</sup> Specify row configuration, type in catalog number when ordering complete fixtures. <sup>(5)</sup> When utilizing 28W T8 lamps, HPT8 Ballast must be specified. 32W lamps are 90 CRI only. <sup>(6)</sup> Products also available in non-US voltages and frequencies for international markets. <sup>(7)</sup> Not available when specifying emergencies, voltage must be specific. <sup>(8)</sup> Please specify required voltage, 120V or 277V. <sup>(9)</sup> Only product configurations with this designated prefix are built to be compliant with the Buy American Act of 1933 (BAA). Please refer to [DOMESTIC PREFERENCES](#) website for more information. Components shipped separately may be separately analyzed under domestic preference requirements. <sup>(10)</sup> Accessories sold separately will be separately analyzed under domestic preference requirements. Consult factory for further information.

Specifications & dimensions subject to change without notice. Consult your Cooper Lighting Solutions Representative for availability and ordering information.

SHIPPING DATA

Catalog No.	Wt.
EP3GAX-128T8S181	29 lbs.
EP3GAX-132S181	29 lbs.
EP3GAX-228T8S181	29 lbs.
EP3GAX-232S181	29 lbs.