

## DESCRIPTION

The Precision Architectural Parabolic true 3" deep, high performance louver incorporates a precision designed optical assembly that offers the specifier a controlled, high performance light source. The library stack, over and under, two lamp configuration produces uniform illumination levels on entire face of stack, top to bottom. The vertical illumination optical assembly precisely directs light between library stacks. The library stack is the ideal luminaire for libraries and other narrow aisle stack applications.

<b>Catalog #</b>		<b>Type</b>	
<b>Project</b>		<b>Date</b>	
<b>Comments</b>			
<b>Prepared by</b>			

## SPECIFICATION FEATURES

### Construction

Deep, para-contoured housing, die formed of code gauge, prime cold rolled steel. Die embossed housing has full length die formed stiffeners for added strength. Ballast/wireway cover is easily removed. Die formed captive lampholder bracket fully encloses lampholder wiring permitting easy lampholder replacement. Heavy end plates are securely attached with interlocking tabs and screws. Four auxiliary fixture end suspension points provided. KOs for continuous row wiring. End plates have labor saving integral Grid-Lock feature for safety and convenience. Housing features enable fixture to be converted from Grid to T-option or vice versa in the field.\*

### Electrical\*\*

Ballast are CBM/ETL Class "P" and are positively secured by mounting bolts. Pressure lock lampholders. UL/CUL listed. Suitable for damp locations.

### Finish

Lighting grade, baked white enamel finish. Multistage, iron phosphate pretreatment ensures maximum bonding and rust inhibition.

### Louver

Die formed of specular, low iridescent anodized aluminum. Finish is anodic oxide coating. Accurate precision parabolic cells are held in place with interlocking feature. True-cut mitered corners. Black reveal with integral mechanical light seal around entire perimeter of louver. Louver protected from construction contaminants by polyethylene cover.

### Compliance

Options to meet Buy American Act requirements.

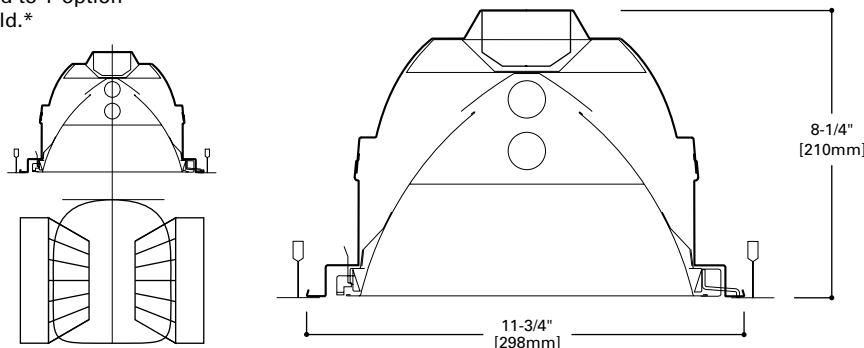


**EP3GAX-OU**  
228T8  
232

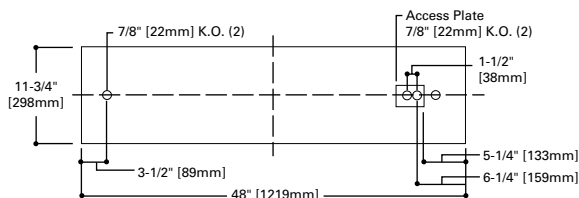
8 Cell

1' X 4' PARABOLIC  
2 T8 LAMP  
SPECULAR/MIRRORED  
LOUVER

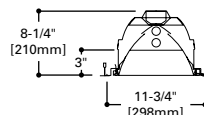
Paralux III  
Library Stack Over and  
Under  
Recessed Static or Air  
Supply Troffer



## MOUNTING DATA



## LAMP CONFIGURATIONS



## CEILING COMPATIBILITY

G Grid/Lay-in Standard	T Concealed T	T Slot Grid	F Aluminum Flange Trim With Supporting Swing Gates	MZ Modular Trim With Supporting Swing Gates	Ceiling Type	Trim Type
					Exposed Grid	G
					Concealed T	G or T
					Slot Grid	G or T
					Flange	F
					Concealed "T" or "Z"	MZ
					Metal Pan	MZ
					(Verify compatibility/ consult factory.)	

## ENERGY DATA

Input Watts:  
EB Ballast & STD Lamps  
228T8 (48), 232 (55),

Luminaire Efficacy Rating  
LER = FP-42

Catalog Number: EP3GAX-  
132S18MIASY

Yearly Cost of 1000 lumens,  
3000 hrs at .08 KWH = \$5.71

\*Convertibility applies to housing only. Appropriate shielding media assemblies must be utilized.

\*\*Reference the lamp/ballast data in the Technical Section for specific lamp/ballast requirements.

LAMPS CONTAIN MERCURY. DISPOSE ACCORDING TO LOCAL, STATE OR FEDERAL LAWS

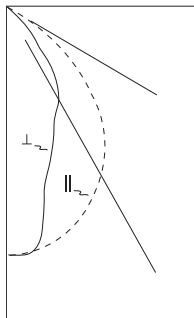
**LINEAR DISCONNECT**

Safe and convenient means of disconnecting power.



ADF020545  
November 29, 2021 3:41 PM

PHOTOMETRICS



**EP3GAX-OU-232S18MIVS**  
Electronic Ballast  
F32T8/35K Lamp  
2800 Lumens

Spacing criterion: (II) 1.1 x mounting height, (L) 0.7 x mounting height

Efficiency 47.9%

Test Report: EP3GXOU232S18MIVS.IES

LER = FP-42

Yearly Cost of 1000 lumens, 3000 hrs at .08 KWH = \$5.71

Coefficients of Utilization

rc	Effective floor cavity reflectance								20%															
	80%				70%				50%				30%				10%				0%			
	rw	70	50	30	10	70	50	30	10	50	30	10	50	30	10	50	30	10	50	30	10	0		
<b>RCR</b>	<b>0</b>	57	57	57	57	56	56	56	56	53	53	53	51	51	51	49	49	49	48					
	<b>1</b>	54	53	52	50	53	52	51	50	50	49	48	48	47	47	46	46	45	44					
	<b>2</b>	51	49	47	45	50	48	46	44	46	45	43	45	44	43	44	43	42	41					
	<b>3</b>	48	45	42	40	47	44	42	40	43	41	39	42	40	39	41	39	38	37					
	<b>4</b>	46	42	39	36	45	41	38	36	40	38	36	39	37	35	38	36	35	34					
	<b>5</b>	43	38	35	33	42	38	35	33	37	34	32	36	34	32	35	33	32	31					
	<b>6</b>	40	35	32	30	39	35	32	30	34	32	30	34	31	29	33	31	29	29					
	<b>7</b>	38	33	29	27	37	32	29	27	32	29	27	31	29	27	31	28	27	26					
	<b>8</b>	35	30	27	25	35	30	27	24	29	26	24	29	26	24	28	26	24	23					
	<b>9</b>	33	27	24	22	32	27	24	22	27	24	22	26	24	22	26	23	22	21					
	<b>10</b>	31	25	22	20	30	25	22	20	25	22	20	24	22	20	24	21	20	19					

Zonal Lumen Summary

Zone	Lumens	%Lamp	%Fixture
0-30	1395	24.9	52.0
0-40	2036	36.4	75.9
0-60	2665	47.6	99.3
0-90	2684	47.9	100.0
0-180	2684	47.9	100.0

Vertical Illumination Plot Continuous Row

	0'	1'	2'	3'	4'	5'	6'	7'	8'	9'
<b>Ceiling</b>										
<b>7'</b>	67	67	69	69	67	67	69	68	66	67
<b>6'</b>	50	51	52	53	52	52	53	52	51	50
<b>5'</b>	35	37	38	38	38	38	38	38	37	35
<b>4'</b>	25	26	27	28	28	28	28	27	26	25
<b>3'</b>	19	20	21	21	22	22	21	21	20	19
<b>2'</b>	16	17	17	18	18	18	18	17	17	16
<b>1'</b>	13	14	15	15	15	15	15	15	14	14
<b>Floor</b>										
	2' 8" Aisle Width									
	Initial Footcandles									

Candela

Angle	Along II	45°	Across ⊥
0	2339	2339	2339
5	2320	2336	2327
10	2271	2241	2004
15	2191	1817	1538
20	2084	1504	1293
25	1950	1288	1107
30	1791	1077	977
35	1613	926	777
40	1381	768	464
45	1081	565	271
50	835	318	77
55	522	143	5
60	177	38	3
65	17	9	2
70	7	2	1
75	3	1	0
80	1	1	0
85	1	0	0
90	0	0	0

ORDERING INFORMATION

SAMPLE NUMBER: EP3GAX-OU-232S18IVS-UNV-EB81-U

<p><b>Domestic Preferences</b> <sup>(9)</sup> [Blank]=Standard BAA=Buy American Act</p> <p><b>Rating</b> Blank=Standard ATW-SW4=Chicago Rated</p> <p><b>Heat Removal</b> <sup>(1)</sup> HR=Heat Removal HRDO=Heat Removal Damper Open HRDC=Heat Removal Damper Closed</p> <p><b>Series</b> EP3=Paralux III</p> <p><b>Trim Type</b> <sup>(2)</sup> G=Grid/Lay-in - Standard T=Concealed T/Slot Grid <sup>(3)</sup> F=Aluminum Flange Trim <sup>(6)</sup> MZ=Modular Trim</p> <p><b>Air Supply</b> AX=Air Supply Floating Louver X=Blank Side/Floating Louver Non-Air Supply AVX=Air Supply Floating Louver with Directional Air Vane</p>	<p><b>Over and Under</b> Vertically Oriented Lamps</p> <p><b>Number of Lamps</b> 2=2 Lamps</p> <p><b>Wattage</b> 28T8=28W T8 (48") 32=32W T8 (48")</p> <p><b>Louver Color</b> S=Silver W=White</p> <p><b>Cell Configuration</b> 18=1 Row of 8, 8 Cell (1'x4')</p> <p><b>Louver Finish</b> I=Semi-Specular/Haze (Low Iridescent) Standard P=Painted</p> <p><b>Distribution</b> VS=Vertical Stack/Narrow Distribution</p> <p><b>Option - Aluminum Flange Trim</b> <sup>(6)</sup> Blank=SW (Single White) Type Color 'S' Single 'N' Natural 'R' In Row 'W' White 'E' End of Row</p>	<p><b>Options</b> GL=Single Element Fuse GM=Double Element Fuse WTR=White Reveal Flex=Flex Installed (Reference Flex ordering information) EL=Emergency Installed <sup>(8)</sup></p> <p><b>Lamps Installed</b> Blank=No Lamps Installed L8935=T8 Lamp, 28W and 32W, 3500K <sup>(7)</sup> L8941=T8 Lamp, 28W and 32W, 4100K <sup>(7)</sup> L8835HL=T8 Lamp, 32W, 3500K, 3100 Lumens L8841HL=T8 Lamp, 32W, 4100K, 3100 Lumens</p> <p><b>Voltage</b> <sup>(4)</sup> 120V=120 Volt 277V=277 Volt 347V=347 Volt UNV=Universal Voltage 120-277<sup>(5)</sup></p>	<p><b>Ballast Type</b> EB8_=T8 Electronic Start. Total Harmonic Distortion &lt; 10% No. of Ballast 1, 2 or 3 EB8_/PLUS=T8 Electronic Start. Total Harmonic Distortion &lt; 10% High Ballast Factor &gt;1.15 ER8_=T8 Electronic Program Rapid Start. Total Harmonic Distortion &lt; 10% No. of Ballast 1, 2 or 3</p> <p><b>High Performance T8 Ballasts</b> HB8_=T8 Electronic Instant Start. Total Harmonic Distortion &lt; 10%. Standard Ballast Factor .86 - .88 HB8_L=T8 Electronic Instant Start. Total Harmonic Distortion &lt; 10%. Low Ballast Factor .77 - .82 HB8_N=T8 Electronic Instant Start. Total Harmonic Distortion &lt; 10%. Normal Ballast Factor 1.0 HB8_H=T8 Electronic Instant Start. Total Harmonic Distortion &lt; 10%. High Ballast Factor 1.15 - 1.20 HR8_T8 Electronic Program Rapid Start. Total Harmonic Distortion &lt; 10%. Standard Ballast Factor .86 - .88 HR8_DIM=T8 Electronic Program Rapid Start. Total Harmonic Distortion &lt; 10%. Step Dimming. Ballast Factor .88 HR8_L=T8 Electronic Program Rapid Start. Total Harmonic Distortion &lt; 10%. Low Ballast Factor .71 - .79 HR8_H=T8 Electronic Program Rapid Start. Total Harmonic Distortion &lt; 10%. High Ballast Factor 1.15 - 1.20</p>	<p><b>Options</b> PAF=Painted After Fabrication REP=Riveted Endplates</p> <p><b>Packaging</b> U=Unit Pack PAL=Job Pack, out of carton PALC=Job Pack, in carton</p>
---	--	--	--	--

NOTES: <sup>(1)</sup> Integral end plate grid lock feature not available in heat removal. <sup>(2)</sup> Convertibility applies to housing only, appropriate shielding media assemblies must be utilized. Fixture also adaptable with flanged or modular trims. <sup>(3)</sup> An EQ Grid Clip is recommended for all 9/16" ceiling systems. Four required per fixture. <sup>(4)</sup> Products also available in non-US voltages and frequencies for international markets. <sup>(5)</sup> Not available when specifying emergencies, voltage must be specific. <sup>(6)</sup> Specify row configuration, type in catalog number when ordering complete fixture. <sup>(7)</sup> 32W lamps are 90 CRI only. <sup>(8)</sup> Please specify required voltage, 120V or 277V. <sup>(9)</sup> Only product configurations with this designated prefix are built to be compliant with the Buy American Act of 1933 (BAA). Please refer to DOMESTIC PREFERENCES website for more information. Components shipped separately may be separately analyzed under domestic preference requirements. <sup>(10)</sup> Accessories sold separately will be separately analyzed under domestic preference requirements. Consult factory for further information.

Specifications & dimensions subject to change without notice. Consult your Cooper Lighting Solutions Representative for availability and ordering information.

ACCESSORIES <sup>(10)</sup>

EQ-CLIP-U=T-BAR Safety Earthquake Clips <sup>(3)</sup>

SHIPPING DATA

Catalog No.	Wt.
EP3GAX-OU-228T8S18	29 lbs.
EP3GAX-OU-232S18	29 lbs.