

DESCRIPTION

The Paralux III Series features recessed aesthetics and the latest in energy efficient technology. The luminaire features an over and under lamp configuration that is combined with a true 3" deep precision cell louver into a deep para-contoured fixture housing. This combination creates a total high performance parabolic optical assembly for optimum performance. The series is compatible with all of today's popular ceiling systems and is available with a number of options and accessories. The Paralux III series is an excellent choice for multi-level switching applications where uniform louver brightness control is specified.

Catalog #		Type	
Project			
Comments		Date	
Prepared by			

SPECIFICATION FEATURES

Construction

Deep, para-contoured housing, die formed of code gauge, prime cold rolled steel. Die embossed housing has full length die formed stiffeners for added strength. Ballast/ wireway cover is easily removed. Die formed captive lampholder bracket fully encloses lampholder wiring permitting easy lampholder replacement. Heavy gauge end plates are securely attached with interlocking tabs and screws. Four auxiliary fixture end suspension points provided. KOs for continuous row wiring. End plates have integral Grid-Lock feature for safety and convenience. Housing features enable fixture to be converted from Grid to T-option or vice versa in the field.*

Electrical**

Ballast are CBM/ETL Class "P" and are positively secured by mounting bolts. Pressure lock lampholders. UL/CUL listed. Suitable for damp locations.

Finish

Lighting grade, baked white enamel finish. Multistage, iron phosphate pretreatment ensures maximum bonding and rust inhibition.

Hinging/Latching

Positive cam action spring loaded, self locking, black steel latches. Safety lock T-hinges allow hinging and latching either side.

Louver

Die formed of low iridescent, vertical grain anodized aluminum. Finish is Anodic oxide coating. Accurate precision parabolic cells are held in place with interlocking feature. True-cut mitered corners. Black reveal with integral mechanical light seal around entire perimeter of louver. Louver protected from construction contaminants by polyethylene cover.

Compliance

Options to meet Buy American Act requirements.

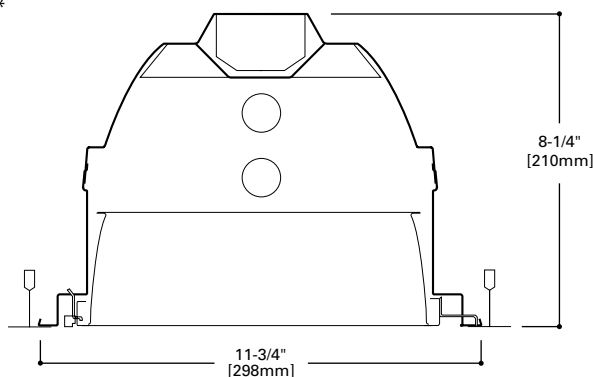


EP3GAX-OU
228T8
232

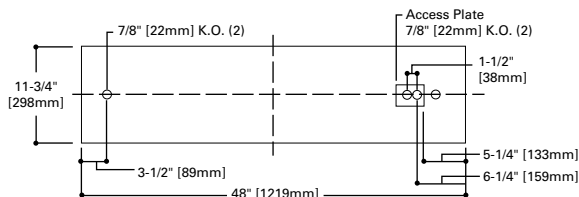
8 Cell

1' X 4' PARABOLIC
2 T8 LAMP
SEMI-SPECULAR OR
SPECULAR LOUVER

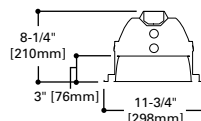
Paralux III
Over and Under
Recessed Static or Air
Supply Troffer



MOUNTING DATA



LAMP CONFIGURATIONS



CEILING COMPATIBILITY

G	T	T	F	MZ	Ceiling Type	Trim Type
Grid/Lay-in Standard	Concealed T	Slot Grid	Aluminum Flange Trim With Supporting Swing Gates	Modular Trim With Supporting Swing Gates	Exposed Grid	G
					Concealed T	G or T
					Slot Grid	G or T
					Flange	F
					Concealed "T" or "Z"	MZ
					Metal Pan	MZ
(Verify compatibility/ consult factory.)						

ENERGY DATA

Input Watts:
EB Ballast & STD Lamps
228T8 (48), 232 (55)

Luminaire Efficacy Rating

LER = FP-55

Catalog Number: EP3GAX-132

Yearly Cost of 1000 lumens,
3000 hrs at .08 KWH = \$4.36

*Convertibility applies to housing only. Appropriate shielding media assemblies must be utilized.

**Reference the lamp/ballast data in the Technical Section for specific lamp/ballast requirements.

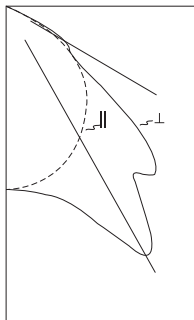
LAMPS CONTAIN MERCURY. DISPOSE ACCORDING TO LOCAL, STATE OR FEDERAL LAWS

LINEAR DISCONNECT

Safe and convenient means of disconnecting power.



PHOTOMETRICS



EP3GAX-OU-232S18MI
Electronic Ballast

F32T8/35K Lamps
2800 Lumens

Spacing criterion:
(II) 1.2 x mounting
height, (L) 1.8 x
mounting height

Efficiency 62.3%

Test Report:
EP3GAXOU232S18MI.IES

LER = FP-55

Yearly Cost of 1000
lumens, 3000 hrs at
.08 KWH = \$4.36

Coefficients of Utilization

rc	Effective floor cavity reflectance						20%											
	80%			70%			50%		30%		10%		0%					
	rw	70	50	30	10	70	50	30	10	50	30	10	50	30	10	0		
RCR																		
0	74	74	74	74	72	72	72	72	69	69	69	66	66	66	64	64	64	62
1	70	67	65	64	68	66	64	63	63	62	61	61	60	59	59	58	57	56
2	65	61	58	55	63	60	57	54	58	55	53	56	54	52	54	52	51	50
3	60	55	51	48	59	54	50	47	52	49	46	51	48	46	49	47	45	44
4	56	49	45	41	54	49	44	41	47	46	40	46	43	40	44	42	39	38
5	51	44	39	36	50	43	39	35	42	38	35	41	37	35	40	37	34	33
6	47	40	35	31	46	39	34	31	38	34	31	37	33	30	36	33	30	29
7	43	35	30	27	42	35	30	27	34	30	26	33	29	26	32	29	26	25
8	40	31	26	23	39	31	26	23	30	26	23	29	26	23	29	25	22	21
9	36	28	23	20	35	28	23	19	27	22	19	26	22	19	26	22	19	18
10	33	25	20	17	33	25	20	17	24	20	17	24	20	17	23	19	17	16

Zonal Lumen Summary

Zone	Lumens	%Lamp	%Fixture
0-30	1046	18.7	30.0
0-40	1871	33.4	53.6
0-60	3311	59.1	94.9
0-90	3489	62.3	100.0
0-180	3489	62.3	100.0

Typical VCP Percentages

Room Size (Ft.)	Height Along		Height Across	
	8.5'	10.0'	8.5'	10.0'
20 x 20	77	73	71	67
30 x 30	80	76	72	72
30 x 60	80	76	72	72
60 x 30	80	76	72	72
60 x 60	81	77	72	72

Candela

Angle	Along II	45°	Across ⊥
0	1166	1166	1166
5	1159	1173	1180
10	1141	1182	1207
15	1112	1184	1259
20	1072	1201	1381
25	1021	1255	1594
30	960	1342	1802
35	890	1446	1562
40	808	1443	1395
45	720	1203	1352
50	621	1023	919
55	483	743	529
60	271	380	438
65	52	170	271
70	9	24	32
75	4	4	4
80	2	2	2
85	1	1	1
90	0	0	0

ORDERING INFORMATION

SAMPLE NUMBER: EP3GAX-OU-232S18I-UNV-EB81-U

<p>Domestic Preferences ⁽⁸⁾ [Blank]=Standard BAA=Buy American Act</p> <p>Rating Blank=Standard ATW-SW4=Chicago Rated</p> <p>Heat Removal ⁽¹⁾ HR=Heat Removal HRDO=Heat Removal Damper Open HRDC=Heat Removal Damper Closed</p> <p>Series EP3=Paralux III</p> <p>Trim Type ⁽²⁾ G=Grid/Lay-in - Standard T=Concealed T/Slot Grid ⁽³⁾ F=Aluminum Flange Trim ⁽⁶⁾ MZ=Modular Trim</p> <p>Air Supply AX=Air Supply Floating Louver X=Blank Side/Floating Louver Non-Air Supply AVX=Air Supply Floating Louver with Directional Air Vane</p>	<p>Over and Under Vertically Oriented Lamps</p> <p>Number of Lamps 2=2 Lamps</p> <p>Wattage 28T8=28WT8 (48") 32=32W T8 (48")</p> <p>Louver Color S=Silver W=White</p> <p>Cell Configuration 18=1 Row of 8, 8 Cell (1'x4')</p> <p>Louver Finish I=Semi-Specular/Haze (Low Iridescent) Standard P=Painted</p> <p>Option - Aluminum Flange Trim ⁽⁶⁾ Blank=SW (Single White) Type Color 'S' Single 'N' Natural 'R' In Row 'W' White 'E' End of Row</p>	<p>Options GL=Single Element Fuse GM=Double Element Fuse WTR=White Reveal Flex=Flex Installed (Reference Flex ordering information) EL=Emergency Installed ⁽⁸⁾</p> <p>Lamps Installed Blank=No Lamps Installed L8935=T8 Lamp, 28W and 32W, 3500K ⁽⁷⁾ L8941=T8 Lamp, 28W and 32W, 4100K ⁽⁷⁾ L8835HL=T8 Lamp, 32W, 3500K, 3100 Lumens L8841HL=T8 Lamp, 32W, 4100K, 3100 Lumens</p> <p>Voltage ⁽⁴⁾ 120V=120 Volt 277V=277 Volt 347V=347 Volt UNV=Universal Voltage 120-277⁽⁸⁾</p>	<p>Ballast Type EB8 =T8 Electronic Start. Total Harmonic Distortion < 10% No. of Ballast 1, 2 or 3 EB8 /PLUS= T8 Electronic Start. Total Harmonic Distortion < 10% High Ballast Factor >1.15 No. of Ballast 1, 2 or 3 ER8 =T8 Electronic Program Rapid Start. Total Harmonic Distortion < 10% No. of Ballast 1, 2 or 3</p> <p>High Performance T8 Ballasts HB8 =T8 Electronic Instant Start. Total Harmonic Distortion < 10%. Standard Ballast Factor .86 - .88 HB8_L=T8 Electronic Instant Start. Total Harmonic Distortion < 10%. Low Ballast Factor .77 - .82 HB8_N=T8 Electronic Instant Start. Total Harmonic Distortion < 10%. Normal Ballast Factor 1.0 HB8_H=T8 Electronic Instant Start. Total Harmonic Distortion < 10%. High Ballast Factor 1.15 - 1.20 HB8_T8 Electronic Program Rapid Start. Total Harmonic Distortion < 10%. Standard Ballast Factor .86 - .88 HB8_DIM=T8 Electronic Program Rapid Start. Total Harmonic Distortion < 10%. Step Dimming. Ballast Factor .88 HB8_L=T8 Electronic Program Rapid Start. Total Harmonic Distortion < 10%. Low Ballast Factor .71 - .79 HB8_H=T8 Electronic Program Rapid Start. Total Harmonic Distortion < 10%. High Ballast Factor 1.15 - 1.20</p>	<p>Options PAF=Painted After Fabrication Suppressor REP=Riveted Endplates</p> <p>Packaging U=Unit Pack PAL=Job Pack, out of carton PALC=Job Pack, in carton</p>
---	--	--	--	---

NOTES: ⁽¹⁾ Integral end plate grid lock feature not available in heat removal. ⁽²⁾ Convertibility applies to housing only, appropriate shielding media assemblies must be utilized. Fixture also adaptable with flanged or modular trims. ⁽³⁾ An EQ Grid Clip is recommended for all 9/16" ceiling systems. Four required per fixture. ⁽⁴⁾ Products also available in non-US voltages and frequencies for international markets. ⁽⁵⁾ Not available when specifying emergencies, voltage must be specific. ⁽⁶⁾ Specify row configuration, type in catalog number when ordering complete fixture. ⁽⁷⁾ 32W lamps are 90 CRI only. ⁽⁸⁾ Please specify required voltage, 120V or 277V. ⁽⁹⁾ Only product configurations with this designated prefix are built to be compliant with the Buy American Act of 1933 (BAA). Please refer to DOMESTIC PREFERENCES website for more information. Components shipped separately may be separately analyzed under domestic preference requirements. ⁽¹⁰⁾ Accessories sold separately will be separately analyzed under domestic preference requirements. Consult factory for further information. Specifications & dimensions subject to change without notice. Consult your Cooper Lighting Solutions Representative for availability and ordering information.

ACCESSORIES ⁽¹⁰⁾

EQ-CLIP-U=T-BAR Safety Earthquake Clips ⁽⁹⁾

SHIPPING DATA

Catalog No.	Wt.
EP3GAX-OU-228T8S18I	29 lbs.
EP3GAX-OU-232S18I	29 lbs.