

DESCRIPTION

The Precision Architectural Parabolic true 3" deep, high performance louver incorporates a precision designed optical assembly that offers the specifier a controlled, high performance light source. The performance level and unique design aesthetics is a result of incorporating precision tolerance construction in both the louver optical assembly and fixture holding. The asymmetric high throw luminaire produces uniform vertical wall illumination on one side of luminaire from below ceiling line downward to floor. The wall wash distribution eliminates "Cave Effect". The asymmetric high throw is the ideal luminaire for wall washing applications.

SPECIFICATION FEATURES

Construction

Deep, para-contoured housing, die formed of code gauge, prime cold rolled steel. Die embossed housing has full length die formed stiffeners for added strength. Ballast/wireway cover is easily removed. Die formed captive lampholder bracket fully encloses lampholder wiring permitting easy lampholder replacement. Heavy end plates are securely attached with interlocking tabs and screws. Four auxiliary fixture end suspension points provided. KOs for continuous row wiring. End plates have labor saving integral Grid-Lock feature for safety and convenience. Housing features enable fixture to be converted from Grid to T-option or vice versa in the field.*

Electrical**

Ballast are CBM/ETL Class "P" and are positively secured by mounting bolts. Pressure lock lampholders. UL/CUL listed. Suitable for damp locations.

Finish

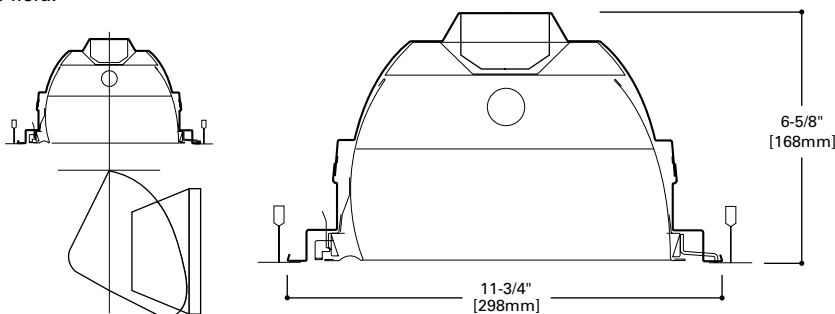
Lighting grade, baked white enamel finish. Multistage, iron phosphate pretreatment ensures maximum bonding and rust inhibition.

Louver

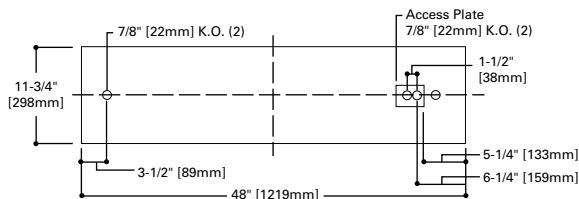
Die formed of specular, low iridescent anodized aluminum. Finish is anodic oxide coating. Accurate precision parabolic cells are held in place with interlocking feature. True-cut mitered corners. Black reveal with integral mechanical light seal around entire perimeter of louver. Louver protected from construction contaminants by polyethylene cover.

Compliance

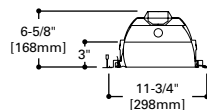
Options to meet Buy American Act requirements.



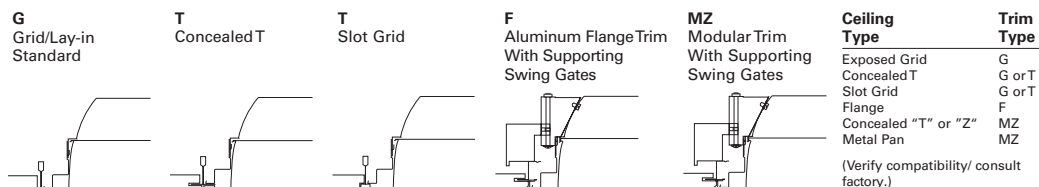
MOUNTING DATA



LAMP CONFIGURATIONS



CEILING COMPATIBILITY



Catalog #		Type	
Project		Date	
Comments		Prepared by	



EP3GAX
128T8
132

8 Cell

1' X 4' PARABOLIC
1 T8 LAMP
SPECULAR/MIRRORED
LOUVER

Paralux III
Asymmetric Wall Wash
Recessed Static or Air
Supply Troffer



ENERGY DATA

Input Watts:
EB Ballast & STD Lamps
128T8 (27), 132 (30)

Luminaire Efficacy Rating
LER = FP-48

Catalog Number: EP3GAX-
132S18MIASY

Yearly Cost of 1000 lumens,
3000 hrs at .08 KWH = \$5.00

*Convertibility applies to housing only.
Appropriate shielding media assemblies
must be utilized.

**Reference the lamp/ballast data in the
Technical Section for specific lamp/ballast
requirements.

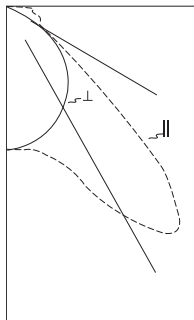
LAMPS CONTAIN MERCURY. DISPOSE ACCORDING
TO LOCAL, STATE OR FEDERAL LAWS

LINEAR DISCONNECT

Safe and convenient means of
disconnecting power.



PHOTOMETRICS



EP3GAX-132-S18MIASY
Electronic Ballast

F32T8/35K Lamp
2800 Lumens

Spacing criterion:
(II) 2.0 x mounting
height, (⊥) 1.2 x
mounting height

Efficiency 70.0%

Test Report:
EP3GX132S18MIASY.IES

LER = FP-48

Yearly Cost of 1000
lumens, 3000 hrs at
.08 KWH = \$5.00

Coefficients of Utilization

rc	Effective floor cavity reflectance						20%												
	80%			70%			50%		30%		10%		0%						
	rw	70	50	30	10	70	50	30	10	50	30	10	50	30	10	0			
RCR	0	83	83	83	83	81	81	81	81	78	78	78	74	74	74	71	71	71	70
	1	77	74	72	70	75	73	71	69	70	68	66	67	66	64	65	64	62	61
	2	72	67	63	59	70	66	62	59	63	60	57	61	58	56	59	57	55	54
	3	66	60	55	51	65	59	54	51	57	53	50	55	52	49	53	51	48	47
	4	61	54	48	44	60	53	48	44	51	47	43	50	46	43	48	45	42	41
	5	56	48	42	38	55	47	42	38	46	41	38	45	40	37	43	40	37	35
	6	52	43	37	33	51	43	37	33	41	36	33	40	36	33	39	35	32	31
	7	48	39	33	29	46	38	32	28	37	32	28	36	31	28	35	31	28	27
	8	43	34	28	24	42	34	28	24	33	28	24	32	27	24	31	27	24	22
	9	40	30	24	21	39	30	24	21	29	24	20	28	24	20	28	23	20	19
	10	37	27	22	18	36	27	21	18	26	21	18	25	21	18	25	21	17	16

Zonal Lumen Summary

Zone	Lumens	%Lamp	%Fixture
0-30	512	18.3	26.1
0-40	989	35.3	50.5
0-60	1776	63.4	90.6
0-90	1960	70.0	100.0
0-180	1960	70.0	100.0

**Vertical Illumination Plot
Continuous Row**

	0'	1'	2'	3'	4'	5'	6'	7'	8'
Ceiling									
8'	18	18	18	18	18	18	18	18	18
7'	18	19	19	19	18	19	19	19	18
6'	28	28	29	29	28	29	29	28	28
5'	23	24	24	24	24	24	24	24	23
4'	15	16	16	16	17	16	16	16	15
3'	10	11	11	11	11	11	11	11	10
2'	8	8	8	9	9	9	8	8	8
1'	6	7	7	7	7	7	7	7	6

Floor
Initial Footcandles

Candela

Angle	Along II	45°	Across ⊥
0	574	574	574
5	575	574	572
10	580	574	563
15	584	567	547
20	603	561	528
25	692	571	506
30	845	603	481
35	959	697	448
40	977	759	407
45	773	758	350
50	531	626	280
55	364	392	208
60	311	211	84
65	317	131	6
70	295	102	3
75	271	93	2
80	259	80	1
85	192	47	1
90	0	0	0

ORDERING INFORMATION

SAMPLE NUMBER: EP3GAX-132S18IASY-UNV-EB81-U

<p>Domestic Preferences ⁽⁹⁾ [Blank]=Standard BAA=Buy American Act</p> <p>Rating Blank=Standard ATW-SW4=Chicago Rated</p> <p>Heat Removal ⁽¹¹⁾ HR=Heat Removal HRDO=Heat Removal Damper Open HRDC=Heat Removal Damper Closed</p> <p>Series EP3=Paralux III</p> <p>Trim Type ⁽²⁾ G=Grid/Lay-in - Standard T=Concealed T/Slot Grid ⁽³⁾ F=Aluminum Flange Trim ⁽⁶⁾ MZ=Modular Trim</p> <p>Air Supply AX=Air Supply Floating Louver X=Blank Side/Floating Louver Non-Air Supply AVX=Air Supply Floating Louver with Directional Air Vane</p>	<p>Number of Lamps 1=1 Lamp</p> <p>Wattage 28T8=28W T8 (48") 32=32W T8 (48")</p> <p>Louver Color S=Silver W=White</p> <p>Cell Configuration 18=1 Row of 8, 8 Cell (1'x4')</p> <p>Louver Finish I=Semi-Specular/Haze (Low Iridescent) Standard P=Painted</p> <p>Distribution ASY=Asymmetric High Throw Wall Wash</p> <p>Option - Aluminum Flange Trim ⁽⁶⁾ Blank=SW (Single White) Type Color 'S' Single 'N' Natural 'R' In Row 'W' White 'E' End of Row</p>	<p>Options GL=Single Element Fuse GM=Double Element Fuse WTR=White Reveal Flex=Flex Installed (Reference Flex ordering information) EL=Emergency Installed ⁽⁸⁾</p> <p>Lamps Installed Blank=No Lamps Installed L8935=T8 Lamp, 28W and 32W, 3500K ⁽⁷⁾ L8941=T8 Lamp, 28W and 32W, 4100K ⁽⁷⁾ L8835HL=T8 Lamp, 32W, 3500K, 3100 Lumens L8841HL=T8 Lamp, 32W, 4100K, 3100 Lumens</p> <p>Voltage ⁽⁴⁾ 120V=120 Volt 277V=277 Volt 347V=347 Volt UNV=Universal Voltage 120-277 ⁽⁵⁾</p>	<p>Ballast Type EB8 =T8 Electronic Start. Total Harmonic Distortion < 10% No. of Ballast 1, 2 or 3 EB8 /PLUS=T8 Electronic Start. Total Harmonic Distortion < 10% High Ballast Factor >1.15 No. of Ballast 1, 2 or 3 ER8 =T8 Electronic Program Rapid Start. Total Harmonic Distortion < 10% No. of Ballast 1, 2 or 3</p> <p>High Performance T8 Ballasts HB8 =T8 Electronic Instant Start. Total Harmonic Distortion < 10%. Standard Ballast Factor .86 - .88 HB8 L=T8 Electronic Instant Start. Total Harmonic Distortion < 10%. Low Ballast Factor .77 - .82 HB8 N=T8 Electronic Instant Start. Total Harmonic Distortion < 10%. Normal Ballast Factor 1.0 HB8 H=T8 Electronic Instant Start. Total Harmonic Distortion < 10%. High Ballast Factor 1.15 - 1.20 HR8 T8 Electronic Program Rapid Start. Total Harmonic Distortion < 10%. Standard Ballast Factor .86 - .88 HR8 DIM=T8 Electronic Program Rapid Start. Total Harmonic Distortion < 10%. Step Dimming. Ballast Factor .88 HR8 L=T8 Electronic Program Rapid Start. Total Harmonic Distortion < 10%. Low Ballast Factor .71 - .79 HR8 H=T8 Electronic Program Rapid Start. Total Harmonic Distortion < 10%. High Ballast Factor 1.15 - 1.20</p>	<p>Options PAF=Painted After Fabrication REP=Riveted Endplates</p> <p>Packaging U=Unit Pack PAL=Job Pack, out of carton PALC=Job Pack, in carton</p>
--	--	---	---	--

NOTES: ⁽¹⁾ Integral end plate grid lock feature not available in heat removal. ⁽²⁾ Convertibility applies to housing only, appropriate shielding media assemblies must be utilized. Fixture also adaptable with flanged or modular trims. ⁽³⁾ An EQ Grid Clip is recommended for all 9/16" ceiling systems. Four required per fixture. ⁽⁴⁾ Products also available in non-US voltages and frequencies for international markets. ⁽⁵⁾ Not available when specifying emergencies, voltage must be specific. ⁽⁶⁾ Specify row configuration, type in catalog number when ordering complete fixture. ⁽⁷⁾ 32W lamps are 90 CRI only. ⁽⁸⁾ Please specify required voltage, 120V or 277V. ⁽⁹⁾ Only product configurations with this designated prefix are built to be compliant with the Buy American Act of 1933 (BAA). Please refer to **DOMESTIC PREFERENCES** website for more information. Components shipped separately may be separately analyzed under domestic preference requirements. ⁽¹⁰⁾ Accessories sold separately will be separately analyzed under domestic preference requirements. Consult factory for further information.

Specifications & dimensions subject to change without notice. Consult your Cooper Lighting Solutions Representative for availability and ordering information.

ACCESSORIES ⁽¹⁰⁾

EQ-CLIP-U=T-BAR Safety Earthquake Clips ⁽³⁾

SHIPPING DATA

Catalog No.	Wt.
EP3GAX-128T8S18MIASY	29 lbs.
EP3GAX-132S18MIASY	29 lbs.