

DESCRIPTION

The Traditionaire™ luminaire displays the old-fashioned charm of traditional area lighting, enhancing any setting with a distinctive styling. UL listed and CSA certified for wet locations.

As a decorative luminaire, the Traditionaire luminaire tastefully complements the architectural and environmental design of estates, parks, motels, restaurants, apartments, churches, institutions and roadways.

Catalog #		Type
Project		
Comments		Date
Prepared by		

SPECIFICATION FEATURES

Construction

HOUSING + COVER: Hinged (stainless steel hinge pins) die-cast aluminum housing and cover with cupola.

Optical

REFRACTOR: The injection-molded acrylic refractor panels are precisely designed utilizing a combination of refractive and reflective prisms to create Type II or Type V distributions while maintaining a consistent exterior form. High efficiency refractive optical systems constructed of lighting grade acrylic ensures long lasting optical clarity and resistance to the gradual discoloration that results from exposure to sunlight.

Electrical

LED DRIVER: Assembly incorporates quick disconnects for ease of installation and maintenance. **LED LIGHT ENGINE:** Solid State LED engine provides even and uniform illumination without the pixilation common to LED applications. Thermal management incorporates both conduction and natural convection to transfer heat rapidly away from the LED source and retain optimal efficiency and light output. The LED replacement module is backwards compatible with existing Traditionaire luminaire installations enabling retrofit opportunities. Shipped standard with Cooper Lighting Solutions proprietary circuit module designed to withstand 10kV of transient line surge. 50,000 + hour life with >70% lumen maintenance. For low temperature operation the Traditionaire luminaire is suitable to -30°C.

Mounting

Self-aligning pole-top fitter fits 3" O.D. pole tops or vertical tenons. Square headed 1-1/4" polymer coated mounting bolts with a lock nut.

Finish

Cast components finished in a super-durable TGIC polyester powder coat paint, 2.5 mil nominal thickness for superior protection against fade and wear. Consult the McGraw-Edison Architectural Color brochure for a complete selection. Standard colors include: black, bronze, grey, white, dark platinum, graphite metallic and hartford green. RAL and custom color matches available.

Warranty

Five-year warranty.

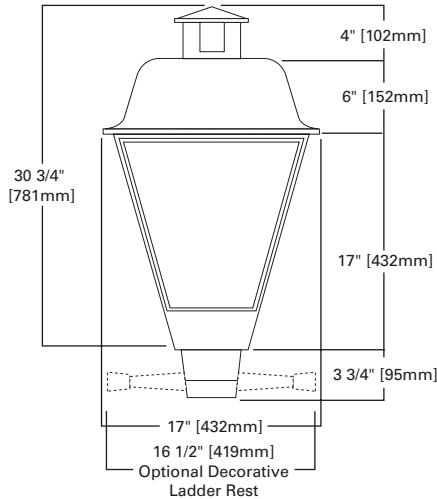


TRR TRADITIONAIRE™ LED

Solid State LED

POST TOP AREA LUMINAIRE

DIMENSIONS



EPA

Effective Projected Area:
2.3 Sq. Ft.

SHIPPING DATA

Approximate Net Weight:
37 lbs. (17 kgs.)

ORDERING INFORMATION

Sample Number: TRR-50-LED-E1-5-BK

Product Family	Lamp Package ¹	Source Type	Voltage	Distribution	Color ³
TRR=Traditionaire	50=5000 Lumens	LED=Solid State Light-Emitting	E1=Electronic 120-277V	2=Type II 5=Type V Refractive	AP=Grey BZ=Bronze BK=Black GN=Hartford Green WH=White DP=Dark Platinum GM=Graphite Metallic
Options (Add as Suffix)		Accessories (Order Separately)			
P =Polycarbonate Refractor R =NEMA Twistlock Photocontrol Receptacle S =Tool-less Entry 2L =Two Circuits 8030 =80 CRI/3000K CCT SH =Street Side/House Side Switching Capable		OA/RA1016 =NEMA Twistlock Photocontrol - Multi-Tap TA1BK =Ladder Rest MA1252 =10kV Circuit Module Replacement TRR-50-E1 =5000 Lumen LED Replacement Module with 120-277V Universal Driver TRR-50-E1-2L =5000 Lumen LED Replacement Module with 120-277V Universal Driver and Bi-level Switching Capable TRR-50-E1-SH =5000 Lumen LED Replacement Module with 120-277V Universal Driver and Street Side/House Side Switching Capable			

Notes:

- LED module nominal source lumens prior to optical and configuration losses based on 65 CRI/5000K package at 25°C ambient. Refer to IES files for delivered lumens by configuration.
- Other finish colors available, including a full line of RAL color matches. Consult your Cooper Lighting Solutions representative.