

INSTALLATION INSTRUCTIONS

NOTE: DO NOT USE FINIAL TO LIFT FIXTURE OR LENS ASSEMBLY.

IMPORTANT: Read carefully before installing fixture. Retain for future reference.

General: Upon receipt of the fixture, thoroughly inspect for any freight damage, which should be brought to the attention of the delivery carrier. Compare the catalog description listed on the packing slip with the fixture label on the housing to assure you have received the correct merchandise.

Safety: This fixture must be wired in accordance with the national electrical code and applicable local codes and ordinances. Proper grounding is required to insure personal safety. All work should be done by a qualified electrician.

WARNING: Make certain power is OFF before starting installation or attempting any maintenance.

ATTENTION: READ BEFORE REMOVING FIXTURE FROM CARTON.

WARNING: RISK OF FIRE/ELECTRIC SHOCK – IF NOT QUALIFIED, CONSULT AN ELECTRICIAN.

WARNING: RISK OF ELECTRIC SHOCK – DISCONNECT POWER AT FUSE OR CIRCUIT BREAKER BEFORE INSTALLING OR SERVICING.

WARNING: RISK OF BURN – DISCONNECT POWER AND ALLOW FIXTURE TO COOL BEFORE SERVICING.

WARNING: RISK OF PERSONAL INJURY – FIXTURE MAY BECOME DAMAGED AND/OR UNSTABLE IF NOT INSTALLED PROPERLY. TIGHTEN ALL FIXTURE COMPONENTS TO THEIR RECOMMENDED TORQUE VALUES.

WARNING: RISK OF PERSONAL INJURY – DO NOT LIFT POLE INTO PLACE BY SECURING LIFTING DEVICE TO LIGHTING FIXTURE OR MOUNTING ARM.

TOOL REQUIRED: RATCHET, 10MM SOCKET, FLAT BLADE SCREW DRIVER, ELECTRICAL WIRING TOOLS.

OPTIONAL EQUIPMENT: MOUNTING ARM.

NOTE: This lighting fixture is designed for outdoor lighting services, and should not be used in area of limited ventilation or in high ambient temperature enclosures. It must be stored in a dry location prior to installation. Do not expose lighting fixture to rain, dust or other environmental conditions prior to installation and insertion of photocontrol or shorting cap (if so equipped). Construction is suitable for down lighting only. Best results will be obtained if installed and maintained according to the following recommendations:

INSTALLATION

MOUNTING ARM INSTALLATION TO SQUARE POLES (OPTIONAL)

1. Remove the pole top cap.
2. Slide lock washers onto each bolt.
3. Install the long mounting bolts through the upper hole of the arm.
4. Install the short mounting bolt through the lower hole of the arm.
5. Hold the nut plate on the inside of the pole and insert the mounting bolt through the pole and thread into the nut plate **FIG. 1**.
6. Tighten bolts to 10-12 ft-lbs.
7. Replace pole top cap after completion of fixture installation and wiring.

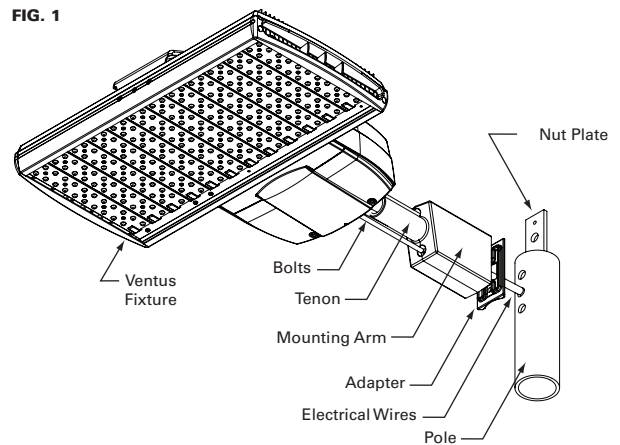
MOUNTING ARM INSTALLATION TO ROUND POLES (OPTIONAL)

Installation to round poles is the same as the square pole installation with the additional round pole adapter inserted between the pole and the arm.

NOTE: Care must be taken not to set lighting fixture down on optical lenses or lift the fixture in the lens area.

1. With housing lying on a smooth, soft surface open the access door by unscrewing the two (2) screws using a flat blade screw driver **FIG. 2**.
2. Bird guard is provided pre-cut to accommodate 1-1/2" diameter mounting arms. When using larger diameter mounting arms remove the punch out section of the splash guard.

FIG. 1



These instructions do not claim to cover all details or variations in the equipment, procedure, or process described, nor to provide directions for meeting every possible contingency during installation, operation or maintenance. When additional information is desired to satisfy a problem not covered sufficiently for user's purpose, please contact your nearest representative.

INSTALLATION INSTRUCTIONS

IMPORTANT: Read carefully before installing fixture. Retain for future reference.

WARNING: Make certain power is OFF before starting installation or attempting any maintenance.

3. Using a 10mm socket, loosen the two (2) pipe clamp mounting bolts enough to allow mounting arm to slide onto leveling steps **FIG. 2**.
4. Lift the housing into place and position end of mounting arm onto leveling steps so that housing is level. Ensure housing is level both front to back and side to side by placing level on housing frame around the LEDs.
5. Snugging each bolt alternately, tighten the two (2) bolts on the mounting clamp to 12 ft-lbs.

WIRING

1. Pull service wires through mounting arm and into housing approximately 10".
2. Attach the supply ground wire to the provided fixture screw or ground wire **FIG. 2**.
3. Connect the supply line voltage wire to the terminal block position with the black wire **FIG. 3**.
4. Connect the supply neutral wire to the terminal block position with the white wire.
5. Position wires away from all other electrical components (drivers, terminal blocks).
6. Swing the housing door into closed position and tighten the two screws.

PHOTOCONTROL (IF EQUIPPED)

NOTE: The orientation procedure is only required for photocontrols which specifically require the cell to be aimed north. Otherwise pre-selected factory orientation will work. Follow the directions recommended by the photocontrol supplier for proximity to light sources. Lighted signs, building surface reflection, floodlights, tree branches, etc. may affect final position of the photocontrol.

1. Loosen the two (2) flathead screws to allow rotation of the receptacle **FIG. 4**.
2. Insert screwdriver into center slot and rotate receptacle until indicator arrow points to the desired direction.
3. Retighten screws.
4. Insert the photoelectric control (or shorting cap) into receptacle and twist into locked position.

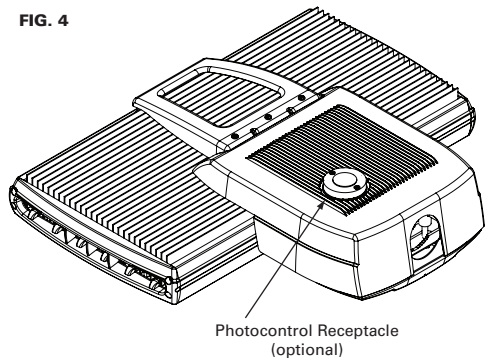
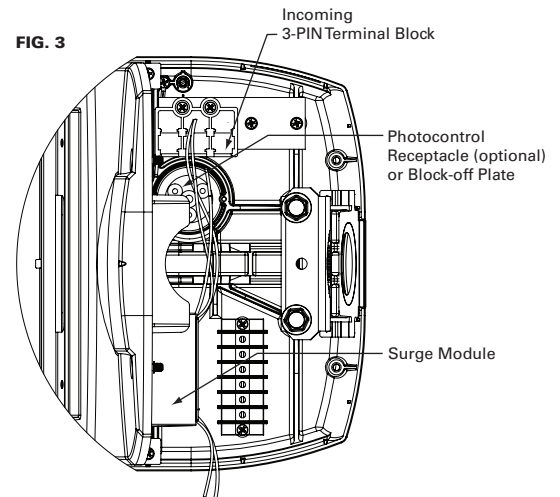
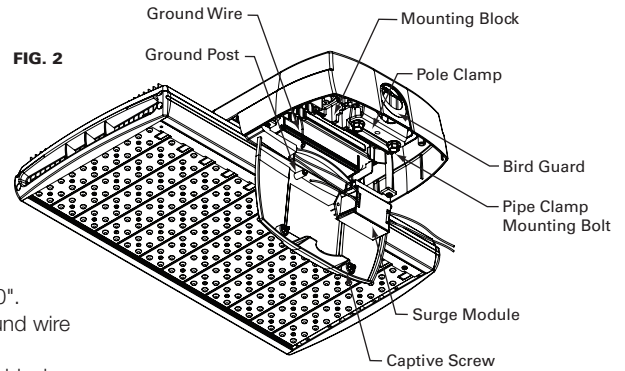
NOTE: The photocontrol must contain a soft, resilient gasket fastened to the bottom surface to assure a proper weather seal between the control and the receptacle. See wiring diagram for additional wiring details **FIG. 4**.

MAINTENANCE

NOTE: A regular maintenance schedule should be followed to retain optimal light output and thermal performance.

Optical lens cleaning should be performed with a clean dry cloth to remove any dust or other contaminants. Additional cleaning can be performed with non-abrasive acrylic cleanser.

Remove any dirt, leaves or other foreign debris from the housing and fins. Clean water may be used to flush the fins.



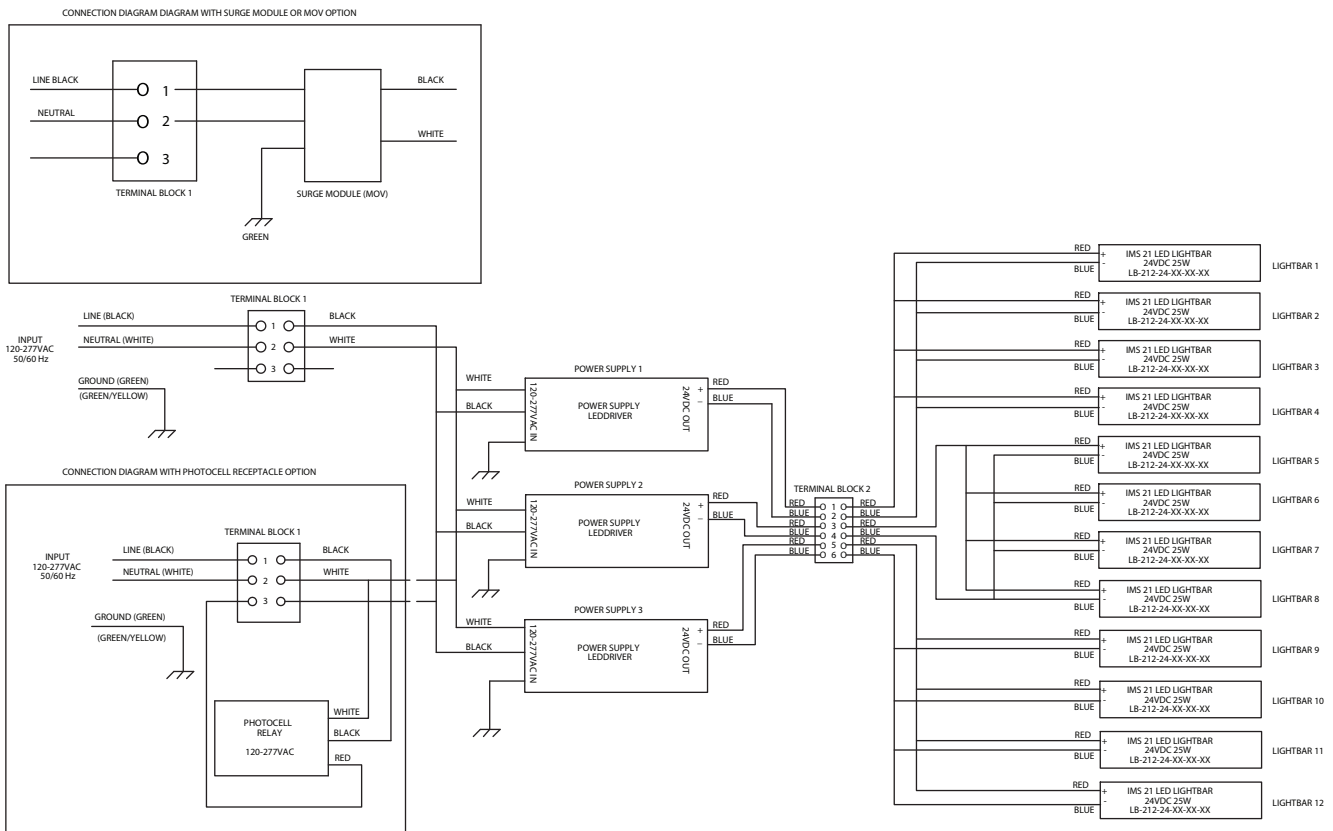
These instructions do not claim to cover all details or variations in the equipment, procedure, or process described, nor to provide directions for meeting every possible contingency during installation, operation or maintenance. When additional information is desired to satisfy a problem not covered sufficiently for user's purpose, please contact your nearest representative.

INSTALLATION INSTRUCTIONS

IMPORTANT: Read carefully before installing fixture. Retain for future reference.

WARNING: Make certain power is OFF before starting installation or attempting any maintenance.

FIG. 5



These instructions do not claim to cover all details or variations in the equipment, procedure, or process described, nor to provide directions for meeting every possible contingency during installation, operation or maintenance. When additional information is desired to satisfy a problem not covered sufficiently for user's purpose, please contact your nearest representative.

INSTALLATION INSTRUCTIONS

IMPORTANT: Read carefully before installing fixture. Retain for future reference.

VENTUS™ LED
Sheet 3 of 3

10/16/09 IMI-720

WARNING: Make certain power is OFF before starting installation or attempting any maintenance.

FCC Statement

Declaration of Conformity

Note: This equipment has been tested and found to comply with the limits for a Class A digital device, pursuant to part 15 of the FCC Rules. These limits are designed to provide reasonable protection against harmful interference when the equipment is operated in a commercial environment. This equipment generates, uses, and can radiate radio frequency energy and, if not installed and used in accordance with the instruction manual, may cause harmful interference to radio communications. Operation of this equipment in a residential area is likely to cause harmful interference in which case the user will be required to correct the interference at his own expense.

Énoncé de la FCC

Déclaration de conformité

Remarque : Cet équipement a été mis à l'essai et déclaré conforme aux limites établies pour un dispositif numérique de catégorie A en vertu de l'article 15 des règlements de la FCC. Ces limites sont conçues pour assurer une protection raisonnable contre tout brouillage nuisible lorsque l'équipement fonctionne dans un environnement commercial. Cet équipement produit, utilise et peut émettre de l'énergie radioélectrique et, s'il n'est pas installé et utilisé conformément aux instructions, il peut créer des parasites nuisibles aux communications radio. L'utilisation de cet équipement dans une installation résidentielle est susceptible de provoquer des interférences nuisibles, auquel cas l'utilisateur devra corriger ces interférences à ses propres frais.

Declaración de la FCC

Declaración de conformidad

Nota: Se ha probado este equipo y se ha determinado que cumple con los límites para un dispositivo digital de Clase A, de conformidad con la Sección 15 de las normas de la FCC. Estos límites están diseñados para proporcionar una protección razonable contra interferencias perjudiciales cuando el equipo se opera en un entorno comercial. Este equipo genera, utiliza y puede irradiar energía de radiofrecuencia y, si no se instala y utiliza de acuerdo con el manual de instrucciones, puede causar interferencias perjudiciales en las comunicaciones de radio. Es probable que el funcionamiento de este equipo en un área residencial cause interferencia perjudicial, en cuyo caso el usuario deberá corregirla a su propio costo.

Warranties and Limitation of Liability

Please refer to www.cooperlighting.com/legal for our terms and conditions.

Garanties et limitation de responsabilité

Veuillez consulter le site www.cooperlighting.com/legal pour obtenir les conditions générales.

Garantías y Limitación de Responsabilidad

Visite www.cooperlighting.com/legal para conocer nuestros términos y condiciones.

These instructions do not claim to cover all details or variations in the equipment, procedure, or process described, nor to provide directions for meeting every possible contingency during installation, operation or maintenance. When additional information is desired to satisfy a problem not covered sufficiently for user's purpose, please contact your nearest representative.