

McGraw-Edison

The Architecture of Form & Light

INSTALLATION INSTRUCTIONS

IMPORTANT : READ BEFORE REMOVING FIXTURE FROM CARTON. RETAIN FOR FUTURE REFERENCE.

Valet LED

Sheet 1 of 4

10/12/21

IMI-727

GENERAL: Upon receipt of fixture thoroughly inspect for any freight damage, which should be brought to the attention of the delivery carrier. Compare the catalog description listed on the packing slip with the fixture label on the housing to be sure the correct merchandise has been received.

SAFETY: This fixture must be wired in accordance with the National Electrical Code, National Electrical Safety Code and applicable local codes and ordinances. Proper grounding is required to insure personal safety. Carefully observe grounding procedure under installation section. This fixture is not suitable for Hazardous or Classified Locations. This product must be installed in accordance with the applicable installation code by a person familiar with the construction

and operation of the product and hazards involved. Consult a qualified electrician to ensure correct branch circuit conductor.

WARNING: Risk of Fire/Electric Shock. If not qualified, consult an electrician.

WARNING: Risk of Electric Shock. Disconnect power at fuse or circuit breaker before installing or servicing.

WARNING: Risk of burn. Disconnect power and allow fixture to cool before servicing.

WARNING: Risk of personal injury—Fixture may become damaged and/or unstable if not installed properly. Tighten all fixture components to their recommended torque values.



NOTE: This lighting fixture is designed for outdoor lighting services, and should not be used in areas of limited ventilation or in high ambient temperature enclosures. It must be stored in a dry location prior to installation. Do not expose lighting fixture to rain, dust or other environmental conditions prior to installation. Construction is suitable for down lighting only. Do not place the fixture onto the ground with the LED/optical side facing down during the installation process. Best results will be obtained if installed and maintained according to the following recommendations.

INSTALLATION

Your lighting fixture has been shipped with one of several types of mounting options. Please follow the installation instructions specific to the catalog part that you ordered. If the maintenance plan for your specific mounting application calls for hosing down the fixture, all supply wires used must include wet rated wire insulation and splice components.

TOOLS REQUIRED:

Flat blade screw driver, Phillips head screw driver, electrical wiring tools.

CEILING MOUNT / QUICK MOUNT [FIG 1]:

1. Remove top knockout in Top Quick Mount Bracket.
2. Pull the supply wires through j-box and through the top knockout of the top quick mount bracket—decorative cage.
3. Assemble top quick mount bracket—decorative cage to j-box [not supplied] located in ceiling using appropriate hardware [not supplied] for the junction interface [j-box must be secured to ceiling structure and must be able to support a minimum of 20 lbs.].
4. Lift fixture assembly to the top quick mount bracket that has been attached to the ceiling/ j-box and connect the safety cable to the loop provided in the top quick mount box.
5. Connect supply wires to appropriate fixture leads with wire nuts:
 - a. Supply side line voltage wire to black fixture lead.
 - b. Supply side neutral wire to white fixture lead.
 - c. Supply side ground wire to green fixture lead.
6. Push the wire splices back into j-box slide the bottom quick mount bracket into the top quick mount bracket and secure with two [2] screws.
7. The fixture is now ready to be energized.

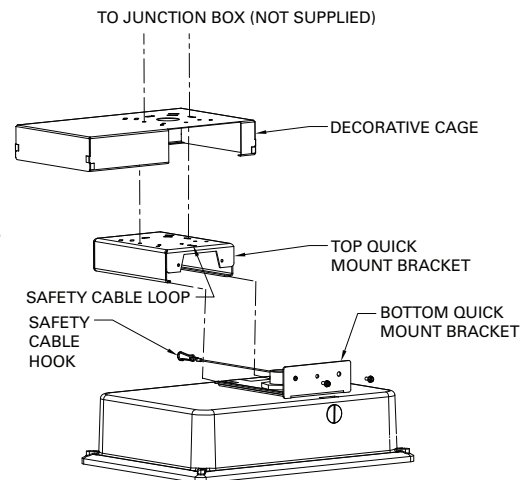


FIG. 1

These instructions do not claim to cover all details or variations in the equipment, procedure, or process described, nor to provide directions for meeting every possible contingency during installation, operation or maintenance. When additional information is desired to satisfy a problem not covered sufficiently for user's purpose, please contact your nearest representative.

NOTE: Specifications and dimensions subject to change without notice.

McGraw-Edison[®]

The Architecture of Form & Light

INSTALLATION INSTRUCTIONS

IMPORTANT : READ BEFORE REMOVING FIXTURE FROM CARTON. RETAIN FOR FUTURE REFERENCE.

Valet LED Sheet 2 of 4

10/12/21

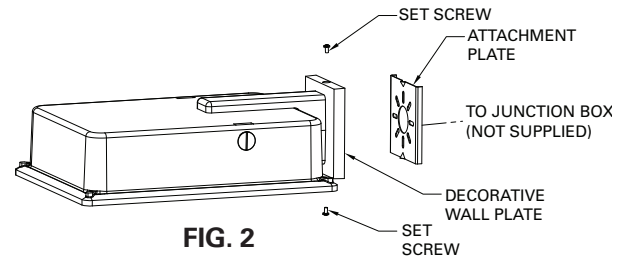
IMI-727

TOOLS REQUIRED:

Phillips head screw driver, electrical wiring tools.

WALL MOUNT [FIG 2]:

1. Pull the supply wires out of j-box [not included] and through the large hole in the center of the attachment plate.
2. Secure attachment plate to j-box / wall using two [2] screws [not supplied].
3. Connect supply wires to appropriate fixture leads with wire nuts:
 - a. Supply side line voltage wire to black fixture lead.
 - b. Supply side neutral wire to white fixture lead.
 - c. Supply side ground wire to green fixture lead.
4. Push the wire splices back into j-box and mount the fixture assembly to the attachment plate by tightening the two [2] set screws at the top and bottom of the decorative wall mount plate.
5. The fixture is now ready to be energized.



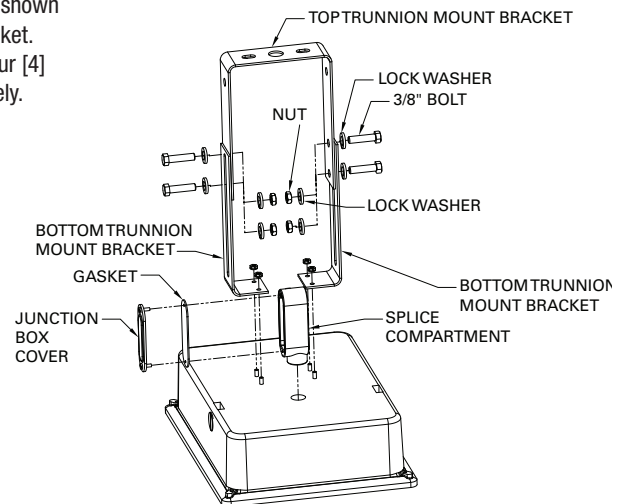
NOTE: For wet location usage, use appropriate outdoor caulking compound [latex, silicone, etc.] to seal the joint between decorative wall mount plate and the mounting surface.

TOOLS REQUIRED:

Ratchet and 3/8" socket, adjustable wrench, Phillips head screw driver, electrical wiring tools.

TRUNNION MOUNT [FIG 3]:

1. Feed fixture wires into cast splice box supplied with the fixture and thread the splice box into the top center opening of the fixture.
2. Install bottom trunnion mount bracket to studs located on top of the light fixture as shown FIG. 3 using two [2] #10 locking nuts. Repeat for other bottom trunnion mount bracket.
3. Locate and install top trunnion mount bracket to bottom brackets using supplied four [4] 3/8" hex bolts, eight [8] lock washers and four [4] nuts, but do not tighten completely.
4. Slide top trunnion mount bracket to the required installation height for your particular application. Tighten trunnion bolts/nuts to lock the proper height.
5. Fixture assembly may now be secured to the ceiling using proper hardware [not supplied]. Hardware must be capable to support 20 lbs.
6. Pull the supply wires into the cast j-box through the side opening and connect wire to appropriate fixture leads with wire nuts:
 - a. Supply side line voltage wire to black fixture lead.
 - b. Supply side neutral wire to white fixture lead.
 - c. Supply side ground wire to green fixture lead.
7. Push all wire back into splice box, making sure that all splices are located within the splice box enclosure.
8. Install gasket and cover onto j-box enclosure with two [2] screws
9. The fixture is now ready to be energized.



These instructions do not claim to cover all details or variations in the equipment, procedure, or process described, nor to provide directions for meeting every possible contingency during installation, operation or maintenance. When additional information is desired to satisfy a problem not covered sufficiently for user's purpose, please contact your nearest representative.

NOTE: Specifications and dimensions subject to change without notice.

McGraw-Edison[®]

The Architecture of Form & Light

INSTALLATION INSTRUCTIONS

IMPORTANT : READ BEFORE REMOVING FIXTURE FROM CARTON. RETAIN FOR FUTURE REFERENCE.

Valet LED
Sheet 3 of 4

10/12/21

IMI-727

TOOLS REQUIRED:

Level, adjustable wrench, Phillips head screw driver, electrical wiring tools.

ADJUSTABLE PENDANT MOUNT WITH BIRDCUARD [FIG. 4]:

1. Feed supply wire through the 3/4" threaded end pendant [not supplied].
2. Thread the 1st conduit nut onto the end of the threaded 3/4" conduit.
Place the conduit through the circular opening at the top of the adjustable pendant bracket. The 1st conduit nut should rest on top of the adjustable pendant bracket. Secure the pendant to the adjustable pendant bracket by threading the 2nd conduit nut underneath the adjustable bracket. Tighten both conduit nuts securely. [Note – follow all applicable electrical codes for wireway exits – this may require a separate hub [not supplied] to be used at the base of the conduit].
3. Thread the four [4] lock nuts supplied to the studs located on top of the housing. These should be threaded about halfway down each of the studs.
4. Lift the fixture to the adjustable pendant bracket and place the four [4] nuts/studs through the keyhole slots in the adjustable bracket. Slide the fixture along the guide slots past each of the keyhole openings.
5. Adjust the location of the bracket such that the fixture hangs level.
6. Fully tighten [33 in-lbs] the four [4] lock nuts to lock the fixture into place. Do not overtighten as this could damage the studs in the housing.
7. Connect the supply lead wires to the appropriate fixture leads using UL approved splicing/wire nuts:
 - a. Supply side ground wire to green fixture lead.
 - b. Supply side neutral wire to white fixture lead.
 - c. Supply side line voltage wire to black fixture lead.
8. Place the covers over each end of the adjustable bracket and screw into place using the supplied #8 self tapping screws.
9. The fixture is now ready to be energized.

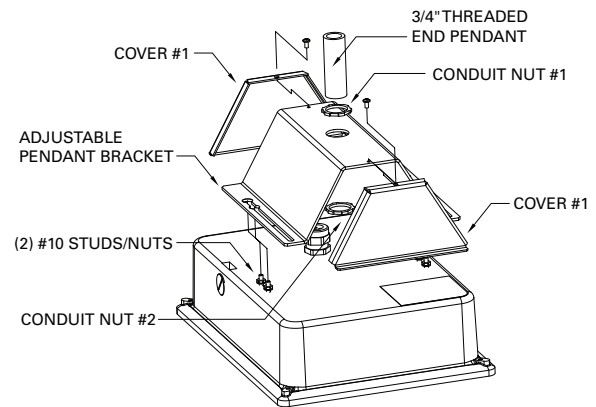


FIG. 4

TOOLS REQUIRED:

Hardware to secure to ceiling structure [not supplied], Phillips head screwdriver, electrical wiring tools, drill.

SURFACE MOUNT [FIG. 5]:

1. Loosen four [4] screws on front of light fixture. Remove Cover and set aside.
2. Remove LightBAR assembly from fixture by inserting a screwdriver and carefully lifting the Lightbar assembly.
This assembly is secured to the fixture by a safety lanyard to prevent damage/injury. Do not remove this lanyard.
3. Drill through the top side of the casting. See **FIG. 5** for the suggested drill pattern to avoid damage to any internal components to the fixture. Only drill from the inside of the fixture.
4. Feed supply wires through the 3/4" NPT opening on top of the fixture.
5. Connect supply wires to appropriate fixture leads with wire nuts inside the housing:
 - a. Supply side ground wire to green fixture lead
 - b. Supply side neutral wire to white fixture lead
 - c. Supply side line voltage wire to black fixture lead
6. Secure housing to mounting surface using hardware [not supplied].
7. Replace LightBAR assembly and cover back onto the housing and tighten the four [4] screws. Make certain no wiring is trapped between the LightBAR assembly and the side of the housing to avoid damage/pinched wires.
8. The fixture is now ready to energize.

These instructions do not claim to cover all details or variations in the equipment, procedure, or process described, nor to provide directions for meeting every possible contingency during installation, operation or maintenance. When additional information is desired to satisfy a problem not covered sufficiently for user's purpose, please contact your nearest representative.

NOTE: Specifications and dimensions subject to change without notice.

McGraw-Edison®

The Architecture of Form & Light

INSTALLATION INSTRUCTIONS

IMPORTANT : READ BEFORE REMOVING FIXTURE FROM CARTON. RETAIN FOR FUTURE REFERENCE.

Valet LED
Sheet 4 of 4

10/12/21

IMI-727

NOTE: For wet location usage, use appropriate outdoor caulking compound [latex, silicone, etc.] to seal the joint between the die-cast housing and the mounting surface to avoid water entry through the wire opening in the housing. This particular mounting configuration is rated for ambient usage of 25°C.

BI-LEVEL SWITCHING [IF EQUIPPED]

For Bi-level switching, the input leads to the fixture will be independently labeled to indicate dimming preferences as appropriate [as defined by the order requirements]. Two [2] Separate supply lines of line voltage, neutral and ground must be provided to the fixture to enable the bi-level switching functionality of the fixture.

MAINTENANCE

A regular maintenance schedule should be followed to retain optimal light output and thermal performance. Optical lens cleaning should be performed with a clean dry cloth to remove any dust or other contaminants. Additional cleaning can be performed with non-abrasive acrylic cleansing solution.

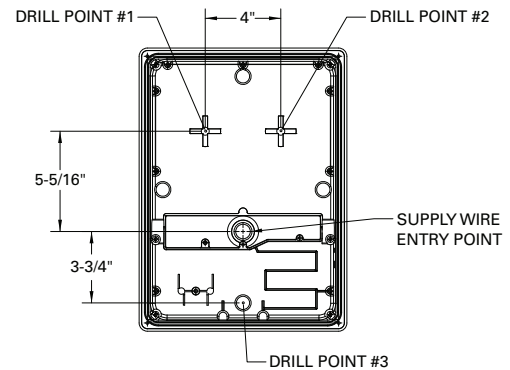


FIG. 5

These instructions do not claim to cover all details or variations in the equipment, procedure, or process described, nor to provide directions for meeting every possible contingency during installation, operation or maintenance. When additional information is desired to satisfy a problem not covered sufficiently for user's purpose, please contact your nearest representative.

NOTE: Specifications and dimensions subject to change without notice.

McGraw-Edison

The Architecture of Form & Light

INSTALLATION INSTRUCTIONS

IMPORTANT : READ BEFORE REMOVING FIXTURE FROM CARTON. RETAIN FOR FUTURE REFERENCE.

Valet LED
Sheet 4 of 4

10/12/21

IMI-727

FCC Statement

Declaration of Conformity

Note: This equipment has been tested and found to comply with the limits for a Class A digital device, pursuant to part 15 of the FCC Rules. These limits are designed to provide reasonable protection against harmful interference when the equipment is operated in a commercial environment. This equipment generates, uses, and can radiate radio frequency energy and, if not installed and used in accordance with the instruction manual, may cause harmful interference to radio communications. Operation of this equipment in a residential area is likely to cause harmful interference in which case the user will be required to correct the interference at his own expense.

Énoncé de la FCC

Déclaration de conformité

Remarque : Cet équipement a été mis à l'essai et déclaré conforme aux limites établies pour un dispositif numérique de catégorie A en vertu de l'article 15 des règlements de la FCC. Ces limites sont conçues pour assurer une protection raisonnable contre tout brouillage nuisible lorsque l'équipement fonctionne dans un environnement commercial. Cet équipement produit, utilise et peut émettre de l'énergie radioélectrique et, s'il n'est pas installé et utilisé conformément aux instructions, il peut créer des parasites nuisibles aux communications radio. L'utilisation de cet équipement dans une installation résidentielle est susceptible de provoquer des interférences nuisibles, auquel cas l'utilisateur devra corriger ces interférences à ses propres frais.

Declaración de la FCC

Declaración de conformidad

Nota: Se ha probado este equipo y se ha determinado que cumple con los límites para un dispositivo digital de Clase A, de conformidad con la Sección 15 de las normas de la FCC. Estos límites están diseñados para proporcionar una protección razonable contra interferencias perjudiciales cuando el equipo se opera en un entorno comercial. Este equipo genera, utiliza y puede irradiar energía de radiofrecuencia y, si no se instala y utiliza de acuerdo con el manual de instrucciones, puede causar interferencias perjudiciales en las comunicaciones de radio. Es probable que el funcionamiento de este equipo en un área residencial cause interferencia perjudicial, en cuyo caso el usuario deberá corregirla a su propio costo.

Warranties and Limitation of Liability

Please refer to www.cooperlighting.com/legal for our terms and conditions.

Garanties et limitation de responsabilité

Veuillez consulter le site www.cooperlighting.com/legal pour obtenir les conditions générales.

Garantías y Limitación de Responsabilidad

Visite www.cooperlighting.com/legal para conocer nuestros términos y condiciones.

These instructions do not claim to cover all details or variations in the equipment, procedure, or process described, nor to provide directions for meeting every possible contingency during installation, operation or maintenance. When additional information is desired to satisfy a problem not covered sufficiently for user's purpose, please contact your nearest representative.

NOTE: Specifications and dimensions subject to change without notice.