

DESCRIPTION

The GAT Generation Series Avenue LED provides an updated styling and smooth exterior appearance, making it the perfect choice to add a contemporary feel to any setting. Its superior photometrics offer excellent illumination and uniformity for many of today's applications. Its styling blends well in many settings – historic districts, downtown streetscapes, roadways, residential neighborhoods, as well as city parks and educational campuses. The Generation Series LED sets a new standard for decorative post top luminaires.

Catalog #		Type	
Project			
Comments		Date	
Prepared by			

SPECIFICATION FEATURES

Construction

HOUSING: Heavy-duty cast aluminum housing and removable door. A single quarter turn fastener on the removable door provides tool-less access to wiring compartment. **CAGE ASSEMBLY:** Cage assembly manufactured of heavy-duty cast aluminum and mounted to the exterior of the base housing via four stainless steel fasteners. Finished to match housing. **TOPS AND FINIALS:** Avenue top is heavy-duty spun aluminum offering top access for tool-less entrance into the source compartment during maintenance. Choose from four cast aluminum finials for customized fixture style.

Optical

REFRACTIVE GLOBE: High efficiency refractive optical systems are precisely designed utilizing a combination of refractive and reflective prisms. Available in Type III or Type V distributions. Lighting grade acrylic ensures long lasting optical clarity and resistance to discoloration.

Electrical

120-277V 50/60Hz operation. 10kV/10kA common and differential mode surge protection standard. Thermal management transfers heat rapidly away from the LED source for optimal efficiency and light output. Ambient operating temperature from -40°C to 40°C. Standard three-position tunnel type compression terminal block.

Mounting

Base casting slipfits over a standard 3" O.D. tenon and secured via four stainless steel allen head fasteners. 3G vibration tested.

Finish

Cast and spun components finished in a five-stage premium TGIC polyester powder coat paint, 2.5 mil nominal thickness for superior protection against fade and wear. Consult the McGraw-Edison Architectural Color brochure for a complete selection of standard colors including black, bronze, grey, white, dark platinum, graphite metallic and hartford green. RAL and custom color matches available. Options to meet Buy American Act requirements.

Warranty

Five-year warranty.

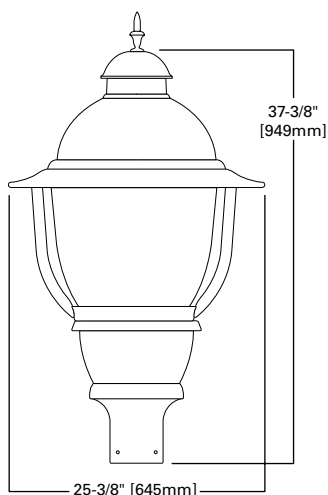


GAT GENERATION SERIES AVENUE LED

LED

DECORATIVE POST TOP
LUMINAIRE

DIMENSIONS

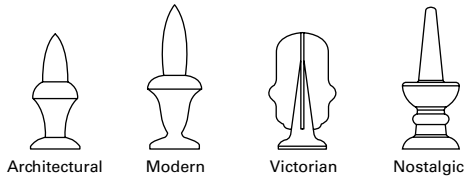


CERTIFICATION DATA
UL/cUL Wet Location Listed

EPA
Effective Projected Area: (Sq. Ft.)
2.1

SHIPPING DATA
Approximate Net Weight:
50 lbs. (23 kgs.)

FINIALS



POWER AND LUMENS

Distribution	Correlated Color Temperature (CCT)	Cage	Total Lumens (Estimated)	Luminaire Wattage (Nominal)
Type III	4000K	Avenue	5,200	99W
Type III	4000K	None	8,000	99W
Type V	4000K	Avenue	5,500	99W
Type V	4000K	None	8,500	99W

LUMEN MAINTENANCE

Ambient Temperature	TM-21 Lumen Maintenance (36,000 Hours)	Theoretical L70 (Hours)
15°C	>93%	240,000
25°C	>92%	210,000
40°C	>89%	117,000

ORDERING INFORMATION

Sample Number: GAT-080-LED-E1-3-UUA-BK

Product Family ¹	LED Series	Lamp Type	Voltage	Refractor Type	Top Type ²	Cage Type ²	Finial Type ²	Color ³
GAT=Architectural Base BAA-GAT=Architectural Base, Buy Act Compliant ⁴	080=080 Series	LED=Solid State Light Emitting Diodes	E1=Electronic (120-277V)	3=Type III 5=Type V	U=Avenue	C=Classical U=Avenue X=None	A=Architectural M=Modern N=Nostalgic V=Victorian X=None	AP=Grey BZ=Bronze BK=Black GN=Hartford Green WH=White DP=Dark Platinum GM=Graphite Metallic
Options (Add as Suffix)		Accessories (Order Separately) ⁵						
P=Polycarbonate Refractor R=NEMA Twistlock Photocontrol Receptacle 2L=Two Circuits SH=Street Side/House Side Switching Capable		MA1252=10kV Circuit Module Replacement GLR-080-E1=080 Series LED Replacement Module with 120-277V Universal Driver GLR-080-E1-2L=080 Series LED Replacement Module with 120-277V Universal Driver and Bi-Level Switching Capable GLR-080-E1-SH=080 Series LED Replacement Module with 120-277V Universal Driver and Street Side/House Side Switching Capable						

- NOTES:**
- Customer is responsible for engineering analysis to confirm pole and fixture compatibility for all applications. Refer to our white paper WP513001EN for additional support information.
 - Painted to match base.
 - Other finish colors available, including a full line of RAL color matches. Consult your lighting representative at Cooper Lighting Solutions for more information.
 - Only product configurations with this designated prefix are built to be compliant with the Buy American Act of 1933 (BAA). Please refer to [DOMESTIC PREFERENCES](#) website for more information. Components shipped separately may be separately analyzed under domestic preference requirements.
 - Accessories sold separately will be separately analyzed under domestic preference requirements. Consult factory for further information.