

HADCO

by  Signify

Urban

MainView LED post top



**A new tradition in
lighting, for less**

A traditional look with modern technology

Hadco MainView post top family is a traditionally styled luminaire created for comfort and ease of maintenance. This post top offers you multiple wattage options and is designed to be future-proof, giving you maximum flexibility at an affordable price.

MainView facilitates lower maintenance due to easy component replacement, a longer life, and fewer internal parts than traditional post tops. This makes MainView a clear choice for communities looking to provide **comfortable lighting you can afford.**





- Visual comfort globe
- Utility friendly pod for easy maintenance
- Broad range of lumen output, wattage options and multiple color temperatures
- Future-proof: 7-pin receptacle, sensor ready driver options
- Service Tag standard with every luminaire

MainView

features and options



1 Distribution options

Type 3 and Type 5 distributions. House side shield available with Type 3.

2 7-pin receptacle

For smart controls

3 Visual comfort globe

To help reduce glare and pixelization

4 Twist system

For easy removal of complete LED engine and driver assembly

5 Driver

The dimming driver (0-10V) is standard. DALI and Sensor Ready drivers are optional, enabling it to be combined with additional controls, now or in the future.

6 Field adjustable wattage selector

Optional field adjustable wattage selector (FAWS) switch can be operated even while wearing lineman's gloves, providing the ability to change wattage in the field.

7 Fitter

Available for a 3" OD

8 Removeable door

For access to photocontrol, wiring and terminal block

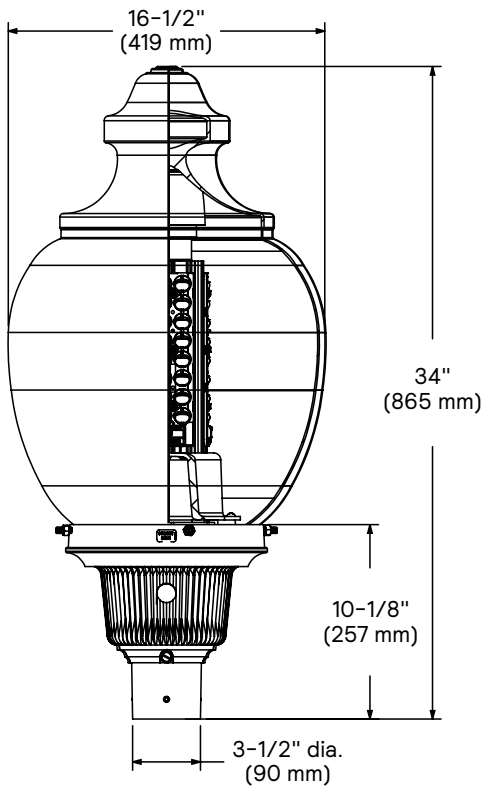
9 Service Tag

QR code labels allow for ease of maintenance and tracking



Technical information

Dimensions



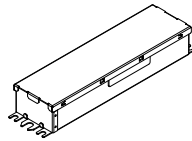
Width: 16-1/2" / 419 mm diameter

Height: 34" / 865 mm

EPA: 1.17 sq. ft (maximum)

Weight: 20 lbs / 9.1 kg (maximum)

Sensor Ready options



Sensor Ready driver, available in multiple configurations

Prior to ordering, consult specification sheets on hadco.com for the most current information, notes, and exclusions.

Service tag

MainView post top luminaire comes standard with Signify Service tag, a unique QR based identification system placed on products, poles, and boxes they are delivered in. After installing the luminaire, simply read the tag from the app to register the product. By registering the product, you are sure Signify will provide support throughout the lifetime of the product.

- Provides easy access to lighting component information at the right time and place.
- Enables more effective maintenance operations by identifying spare parts



Controls

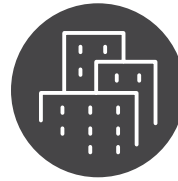


Luminaire solutions

Basic. Autonomous. Affordable.

Simple, individual outdoor lighting dimming and management without the need for remote access.

- 0-10V Dimming
- Field Adjustable Wattage Selector
- 7-pin NEMA twist-lock receptacle
- PCB photocell
- DALI driver
- Sensor ready driver



City solutions

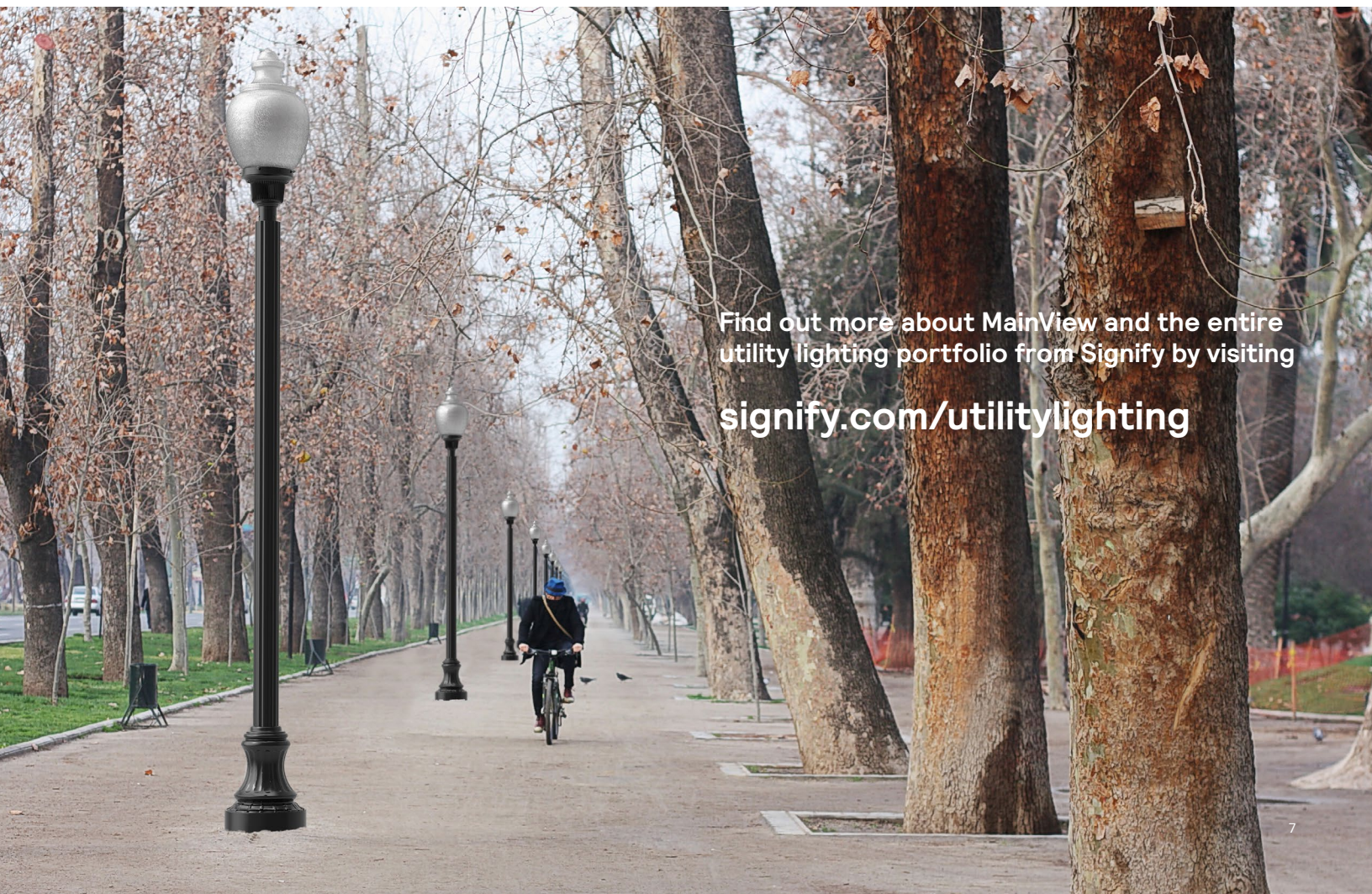
Advanced. Powerful. Extensive.

Widespread or multi-site lighting management with detailed asset management that can grow along with your needs.

- **Interact City Connected Lighting System with Interact City connector node**

For more information on controls

Visit us at lightingproducts.signify.com for more on stand-alone and connected outdoor lighting solutions, and select Controls Outdoor, or request our outdoor lighting solutions brochure.



Find out more about MainView and the entire utility lighting portfolio from Signify by visiting signify.com/utilitylighting

