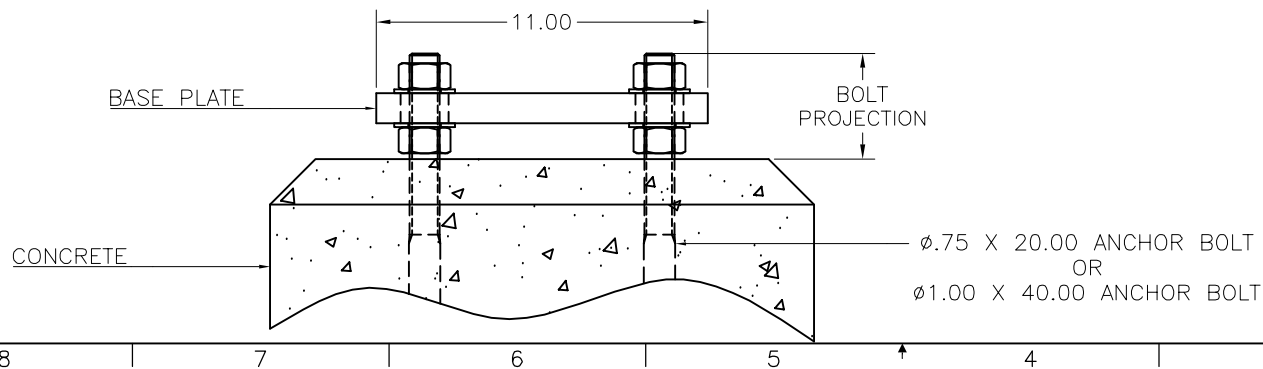


POLE CAT. NO.	SHAFT SIZE - ANCHOR BOLT SIZE			
	A	B	Ø.75 ABT	Ø1.00 ABT
101-5011-20	5.00 SQ.		X	
101-5007-20	5.00 SQ.			X
101-5011-25	5.00 SQ.		X	
101-5007-25	5.00 SQ.			X
101-5011-30	5.00 SQ.		X	
101-5007-30	5.00 SQ.			X
101-5007-35	5.00 SQ.			X
501-5007-20	5.00 SQ.			X
301-8011-30		8.00 DIA.		X

NOTE: BOLT PROJECTION RANGE ABOVE FOUNDATION 3.00 MIN.-3.50 MAX FOR Ø.75 AND 3.50 MIN-4.00 MAX. FOR Ø1.00 WHEN LEVELING NUTS AND GROUT ARE USED.

SET ANCHOR BOLTS AT Ø11.00 BOLT CIRCLE.

WARNING: THE FACTORY WILL NOT HONOR ANY CLAIM FOR INCORRECT ANCHORAGE PLACEMENT CAUSED FROM FAILURE TO USE FULL SIZE, FACTORY SUPPLIED TEMPLATES. IT IS POSSIBLE FOR DOWNLOADED FILES TO BE DISTORTED WHEN PRINTING FROM WEBSITE. IT IS THE CONTRACTORS RESPONSIBILITY TO VERIFY ACCURATE MEASUREMENTS.



DRAWN: M. HARVALA	DATE: 4-7-09	LYTE POLES, INC. P.O. BOX 340 EASTPOINTE, MI 48021	
CHECKED:		TITLE: T-4 Ø11.00 B.C	
QA:		SIZE: D	DWG NO: T-4
MFG:		SCALE:	REV: A
APPROVED:		SHEET: 1 OF 1	