

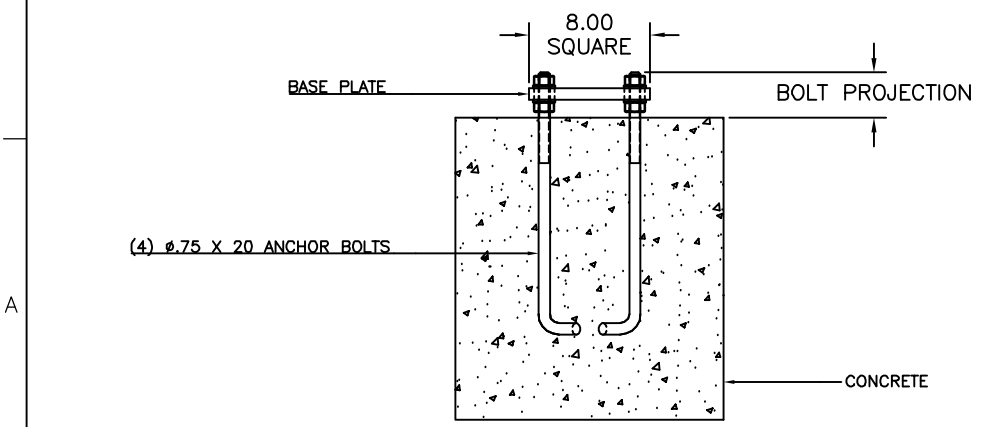
POLE CAT. NO.	SHAFT SIZE			
	A	B	C	D
101-4011-10	4.0" SQ.			
101-4011-12	4.0" SQ.			
101-4011-14	4.0" SQ.			
101-4011-15	4.0" SQ.			
101-4011-16	4.0" SQ.			
101-4011-18	4.0" SQ.			
101-4011-20	4.0" SQ.			
101-4007-20	4.0" SQ.			
101-4011-25	4.0" SQ.			
101-4007-25	4.0" SQ.			
401-3011-8		3.0" DIA.		
401-3011-10		3.0" DIA.		
401-3011-12		3.0" DIA.		
401-3011-14		3.0" DIA.		
401-4011-14			4.0" DIA.	
401-4011-16			4.0" DIA.	
401-4011-18			4.0" DIA.	
401-4011-20			4.0" DIA.	
401-5011-25				5.0" DIA.
401-5011-30				5.0" DIA.

**NOTE:** BOLT PROJECTION RANGE ABOVE FOUNDATION  
3.00 MIN.-3.50 MAX WHEN LEVELING NUTS AND  
GROUT ARE USED.

**SET ANCHOR BOLTS AT Ø8.50 BOLT CIRCLE.**

TEMPLATES FOR SQUARE STRAIGHT STEEL AND  
ROUND STRAIGHT STEEL.

**WARNING:** THE FACTORY WILL NOT HONOR ANY CLAIM FOR INCORRECT  
ANCHORAGE PLACEMENT CAUSED FROM FAILURE TO USE FULL  
SIZE, FACTORY SUPPLIED TEMPLATES. IT IS POSSIBLE FOR  
DOWNLOADED FILES TO BE DISTORTED WHEN PRINTING FROM  
WEBSITE. IT IS THE CONTRACTORS RESPONSIBILITY TO VERIFY  
ACCURATE MEASUREMENTS.



DRAWN: M. HARVALA	DATE: 3-4-09	LYTE POLES, INC. 23171 GROESBECK HWY. WARREN, MI 48089	
CHECKED:		TITLE: T1 (NEW) Ø8.50 BC	
QA:			
MFG:			
APPROVED:			
		SIZE: D	DWG NO: T1 (NEW)
		SCALE:	REV: A
			SHEET: 1 OF 1