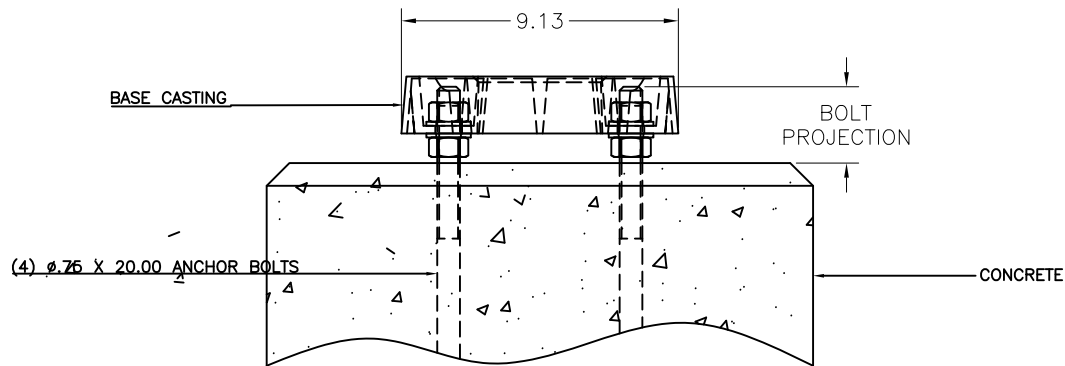


POLE CAT. NO.	SHAFT SIZE
	A
105-4012-8	4.00 SQ.
105-4012-10	4.00 SQ.
105-4012-12	4.00 SQ.
105-4012-14	4.00 SQ.
105-4012-15	4.00 SQ.
105-4012-16	4.00 SQ.
105-4018-16	4.00 SQ.
105-4012-18	4.00 SQ.
105-4018-18	4.00 SQ.
105-4018-20	4.00 SQ.

**NOTE:** BOLT PROJECTION RANGE ABOVE FOUNDATION  
 2.50 MIN.-3.00 MAX WHEN LEVELING NUTS  
 AND GROUT ARE USED.

**SET ANCHOR BOLTS AT  $\phi 8.50$  BOLT CIRCLE.**

**WARNING:** THE FACTORY WILL NOT HONOR ANY CLAIM FOR INCORRECT  
 ANCHORAGE PLACEMENT CAUSED FROM FAILURE TO USE FULL  
 SIZE, FACTORY SUPPLIED TEMPLATES. IT IS POSSIBLE FOR  
 DOWNLOADED FILES TO BE DISTORTED WHEN PRINTING FROM  
 WEBSITE. IT IS THE CONTRACTORS RESPONSIBILITY TO VERIFY  
 ACCURATE MEASUREMENTS.



DRAWN: M. HARVALA	DATE: 4-7-09	LYTE POLES, INC. P.O. BOX 340 EASTPOINTE, MI 48021	
CHECKED:		TITLE: T-1A $\phi 8.50$ B.C.	
QA:			
MFG:			
APPROVED:			
	SIZE: D	DWG NO: T-1A	REV: B
	SCALE:	SHEET:	1 OF 1