

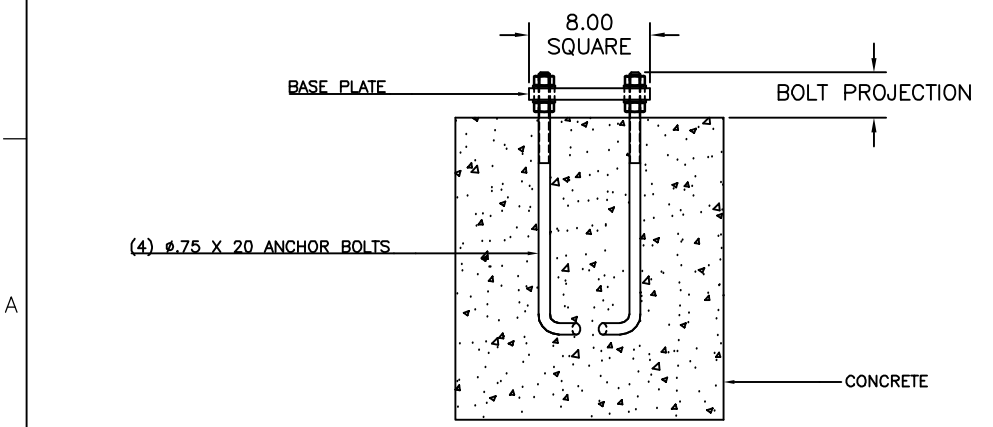
POLE CAT. NO.	SHAFT SIZE			
	A	B	C	D
101-4011-10	4.0" SQ.			
101-4011-12	4.0" SQ.			
101-4011-14	4.0" SQ.			
101-4011-15	4.0" SQ.			
101-4011-16	4.0" SQ.			
101-4011-18	4.0" SQ.			
101-4011-20	4.0" SQ.			
101-4007-20	4.0" SQ.			
101-4011-25	4.0" SQ.			
101-4007-25	4.0" SQ.			
401-3011-8		3.0" DIA.		
401-3011-10		3.0" DIA.		
401-3011-12		3.0" DIA.		
401-3011-14		3.0" DIA.		
401-4011-14			4.0" DIA.	
401-4011-16			4.0" DIA.	
401-4011-18			4.0" DIA.	
401-4011-20			4.0" DIA.	
401-5011-25				5.0" DIA.
401-5011-30				5.0" DIA.

NOTE: BOLT PROJECTION RANGE ABOVE FOUNDATION
3.00 MIN.-3.50 MAX WHEN LEVELING NUTS AND
GROUT ARE USED.

SET ANCHOR BOLTS AT Ø8.50 BOLT CIRCLE.

TEMPLATES FOR SQUARE STRAIGHT STEEL AND
ROUND STRAIGHT STEEL.

WARNING: THE FACTORY WILL NOT HONOR ANY CLAIM FOR INCORRECT
ANCHORAGE PLACEMENT CAUSED FROM FAILURE TO USE FULL
SIZE, FACTORY SUPPLIED TEMPLATES. IT IS POSSIBLE FOR
DOWNLOADED FILES TO BE DISTORTED WHEN PRINTING FROM
WEBSITE. IT IS THE CONTRACTORS RESPONSIBILITY TO VERIFY
ACCURATE MEASUREMENTS.



DRAWN: M. HARVALA	DATE: 3-4-09	LYTE POLES, INC. 23171 GROESBECK HWY. WARREN, MI 48089	
CHECKED:		TITLE: T1 (NEW) Ø8.50 BC	
QA:			
MFG:			
APPROVED:			
		SIZE: D	DWG NO: T1 (NEW)
		SCALE:	REV: A
			SHEET: 1 OF 1