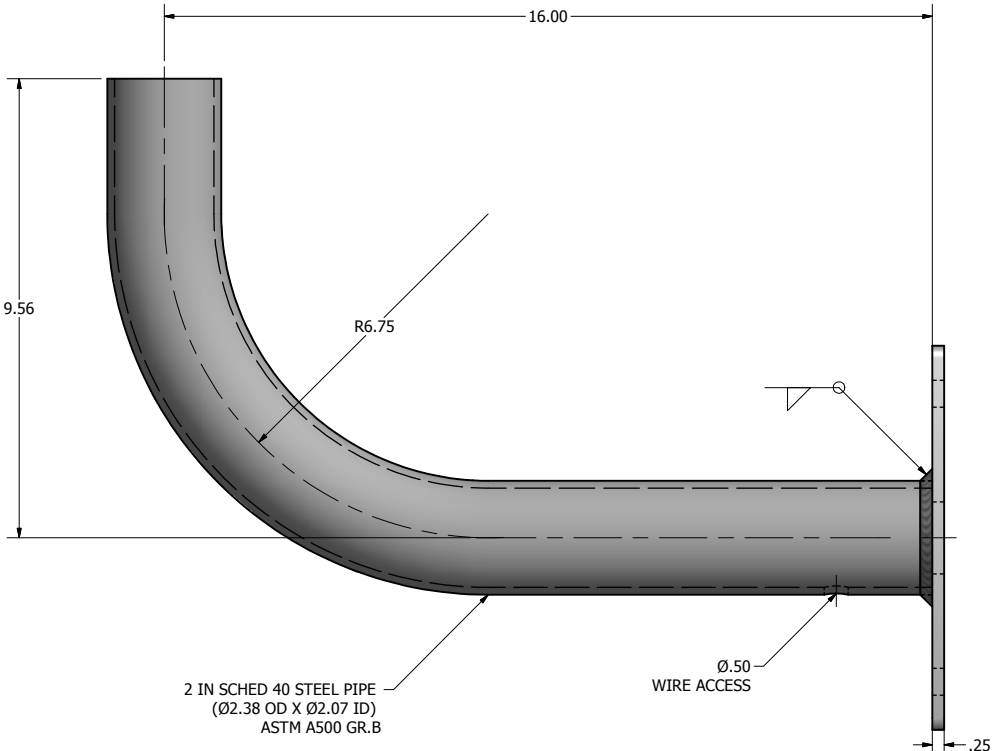
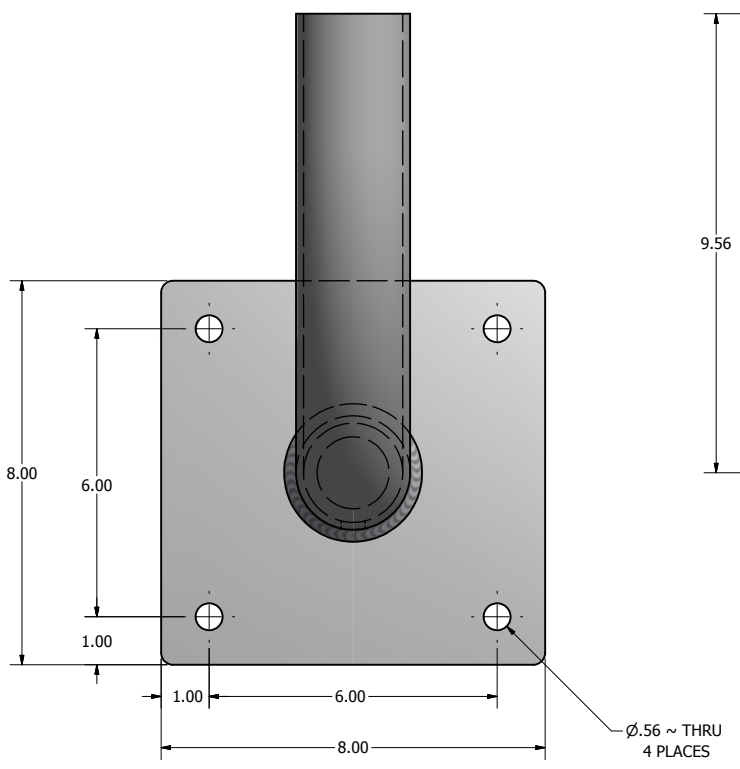


PCB FLOODLIGHT BRACKETS		
CATALOG #	# OF FLOODLIGHTS	POLE SIZING
PWB-1-WM-12	1	WALL MOUNT



**NOTE:** HARDWARE SHALL BE SUPPLIED BY PARTNER.  
**FINISH:** BRACKET SHALL BE STANDARD COLOR POLYESTER POWDER COAT FINISH.


  
 P.O. Box 340  
 Eastpointe, MI 48021  
 P: (586) 771-4610 | F: (586) 771-5527  
 www.lytepoles.com  
a DWM company

DRAWN: L. GRUNIS	1/31/2017
CHECKED	
REVISION:	DATE:
APPROVED:	
QUOTE:	
S.O.#	
REF:	SCALE: NONE

SOME GEOGRAPHICAL AREAS HAVE SPECIAL WIND CONDITIONS THAT CAN CREATE WIND INDUCED VIBRATIONS CAUSING A FATIGUE PROBLEM. NO METHOD HAS YET BEEN FOUND FOR PREDICTING DESTRUCTIVE LIGHTING POLE VIBRATION. THESE CONDITIONS ARE UNIQUE AND CANNOT BE GUARANTEED AGAINST, AND ARE THE RESPONSIBILITY OF A LOCAL SITE ENGINEER.		
TITLE:		
CATALOG:		
DWG NO: PWB-1-WM-12	SIZE C	SHEET 1 OF 1

